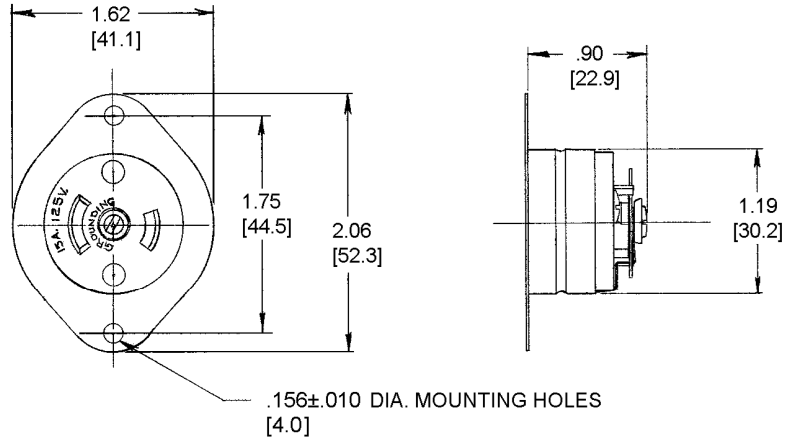


M-3897

6



NOTES:
1. ALL DIMENSIONS IN INCHES.
[mm]

LIST OF PARTS

DESCRIPTION	MATERIAL	FINISH
BODY	POLYESTER	BLACK
INSULATING BARRIER	NYLON	BLACK
CASING	STAIN. STEEL	
CONT. SPRING BIND. PL.	.032 BRONZE	I-WHITE
BINDING SCREWS	BRASS	I-WHITE
GROUND CONT. BLADE	BRASS	
TAPPED BUSHING	BRASS	
INSULATOR	.031 NYLON	NATURAL
HEX HD. BIND. SCREW	BRASS	GREEN
CUPPED WASHER	.020 BRASS	
SHUNT	.015 BRASS	

SYM	REVISIONS	APP	DATE
6	PARTS LIST: BODY MATERIAL POLYESTER WAS PHENOLIC; REMOVED MARKING FROM FRONT VIEW PER DCN 22625 RM	DJP	10/2/17
5	PICTORIAL CHANGE TO BOTTOM VIEW TO SHOW COMBO DRIVE SCREWS PER DCN 23087 RM	DJP	5/23/17
4	REDRAWN ON NEW FORMAT, WAS "A" SIZE; CASING: STAIN. STEEL WAS BRASS; CONVERTED DIMS FROM FRACTION TO DECIMAL PER DCN 16134 RCM	DJP	11/19/09

SUPERSEDES DRAWING DATED 5/8/62

TITLE
15A 125/250V 3 WIRE
MIDGET TWIST-LOCK
FLANGED RECEPTACLE
NEMA ML-3R

TOLERANCES UNLESS OTHERWISE SPECIFIED
FRACTIONS ± 1/64
DECIMALS ± .005
ANGLES ± 2°

HARVEY HUBBELL, INC.
SHELTON, CT.
DR. BY RAR APP. BY
TR. BY RCM SCALE FU.L.L.
CHK'D. BY JCH DATE 11/19/09

CODE 74545

DIMENSION SHEET FOR CAT. NO. HBL7596

REPAIRABLE NON-REPAIRABLE

B

M-3897

6