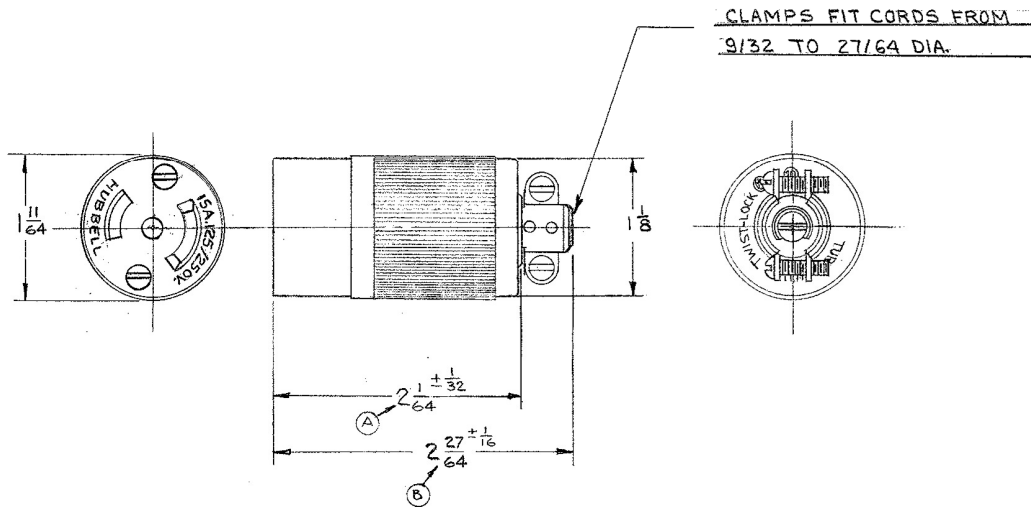


M-4458

5



TITLE

15A. 125/250V. 3-WIRE MIDGET
TWIST-LOCK CORD CONNECTOR WITH CORD
GRIPS

LIST OF PARTS		
DESCRIPTION	MATERIAL	FINISH
BODY	POLYESTER	BLACK
BASE	NYLON	BLACK
INSULATING BARRIER	NYLON	BLACK
INSULATOR	.031NYLON	NATURAL
CORD CLAMP	.040 CRS	BLACK OX.
BINDING SCREWS	BRASS	(1) NICK PLT
CONTACT SPR. BNDG. PL.	.031 BRONZE	
CONTACT SLEEVE	BRASS	
ROUND HEAD SCREWS	STEEL	BLACK OX.
FILISTER HEAD SCREWS	STEEL	ZINC PLATE

5	PARTS LIST BODY MATERIAL POLYESTER WAS DUREZ CAT. NO. HBL7484 WAS 7484 PER DCN 22825 RM	DJP	10/2/17
4	ADDED (1) NICK PLT SCREW See DCN 1004		3/24/93 M.M.
3	ADDED RD. HD. # FILISTER HD. SCREWS INSULATOR WAS VUL. FIBER SEE DCN #1258	C3C	6-19-92 ANL
2	DIM. A WAS 1 1/4" B WAS 1 1/32"		5-4-83 ASM
1	RATING REVISED WAS 10A-250V. 15A-250V. 871		2-28-79
SYM	REVISIONS	APP	DATE

TOLERANCES UNLESS OTHERWISE SPECIFIED	HARVEY HUBBELL, INC.	
FRACTIONS ± 1/64	SHELTON CONN.	
DECIMALS ± .005	DR. BY R.D.T.	APP. BY
ANGLES ± 2°	TR. BY	SCALE FULL
	CHK'D BY A.S.M.	DATE 5-18-66

CODE 74545

DIMENSION SHEET FOR CAT. NO. HBL7484
 REPAIRABLE NON-REPAIRABLE
B
M-4458
5