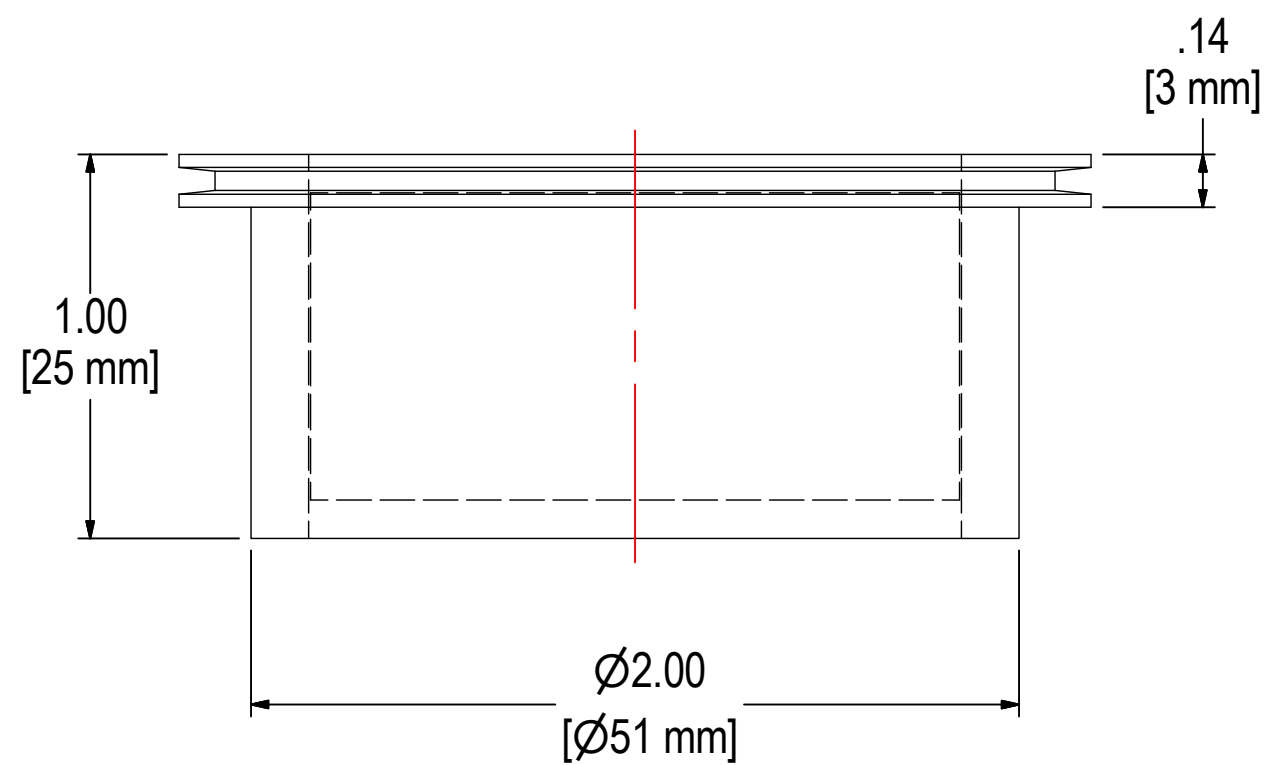
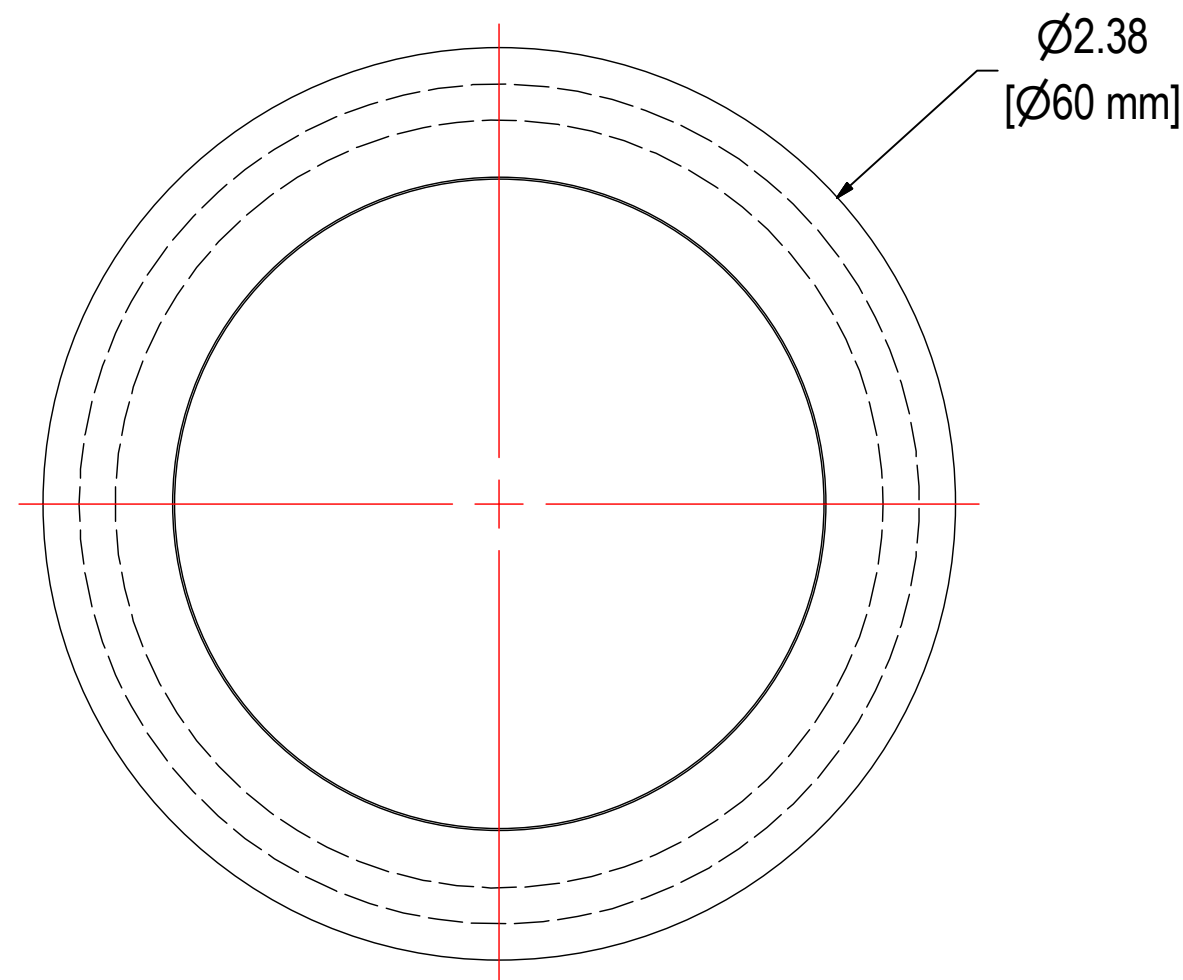


REV	DESCRIPTION	ECN #	CHG BY	DATE	APP'D
A	UPDATED DRAWING TO CURRENT STYLE		NAS	06/21/19	NAD



ELEMENT SPECS		
PART NUMBER	04	
MATERIAL	Paper	
FLOW RATE	8 CFM	14 m ³ /hr
SURFACE AREA	0.2 ft ²	0.0 m ²
I.D.	N/A	N/A
O.D.	SEE DRAWING	
HEIGHT	SEE DRAWING	