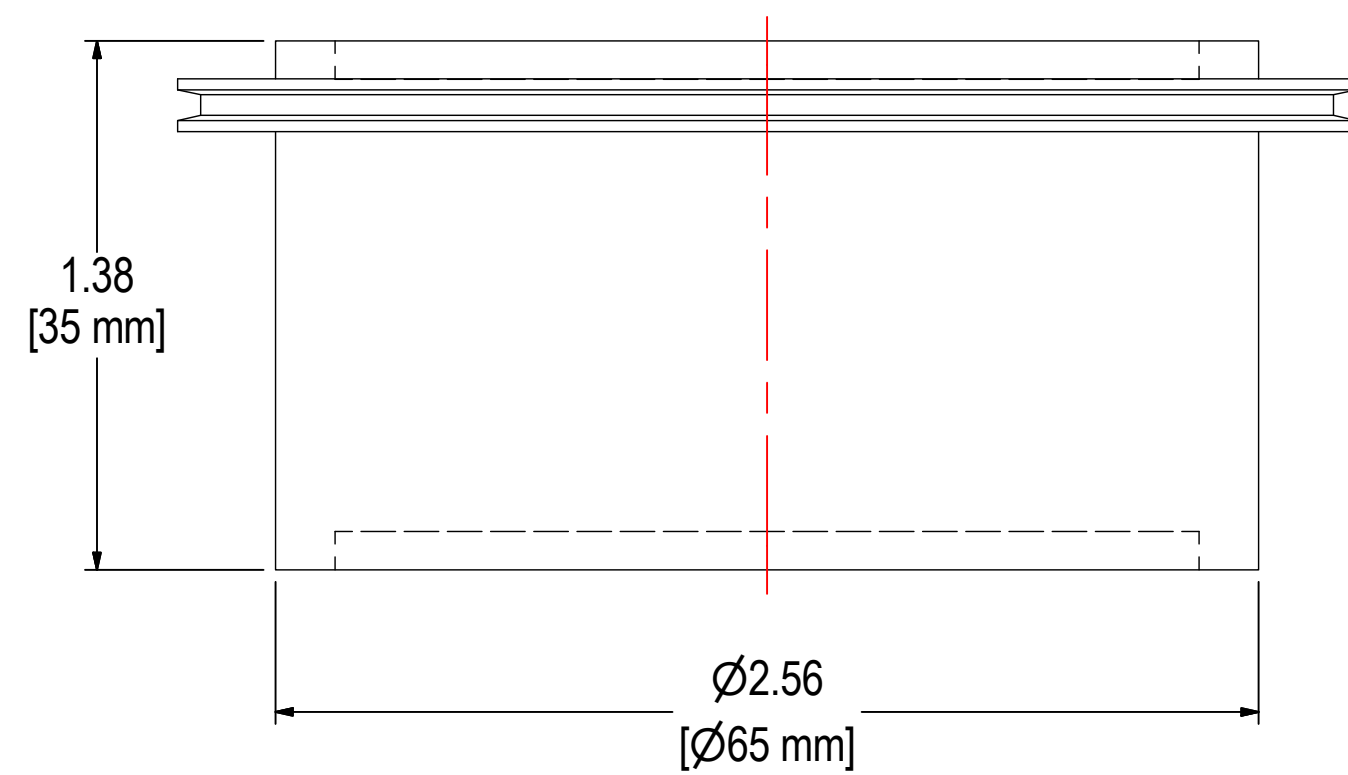
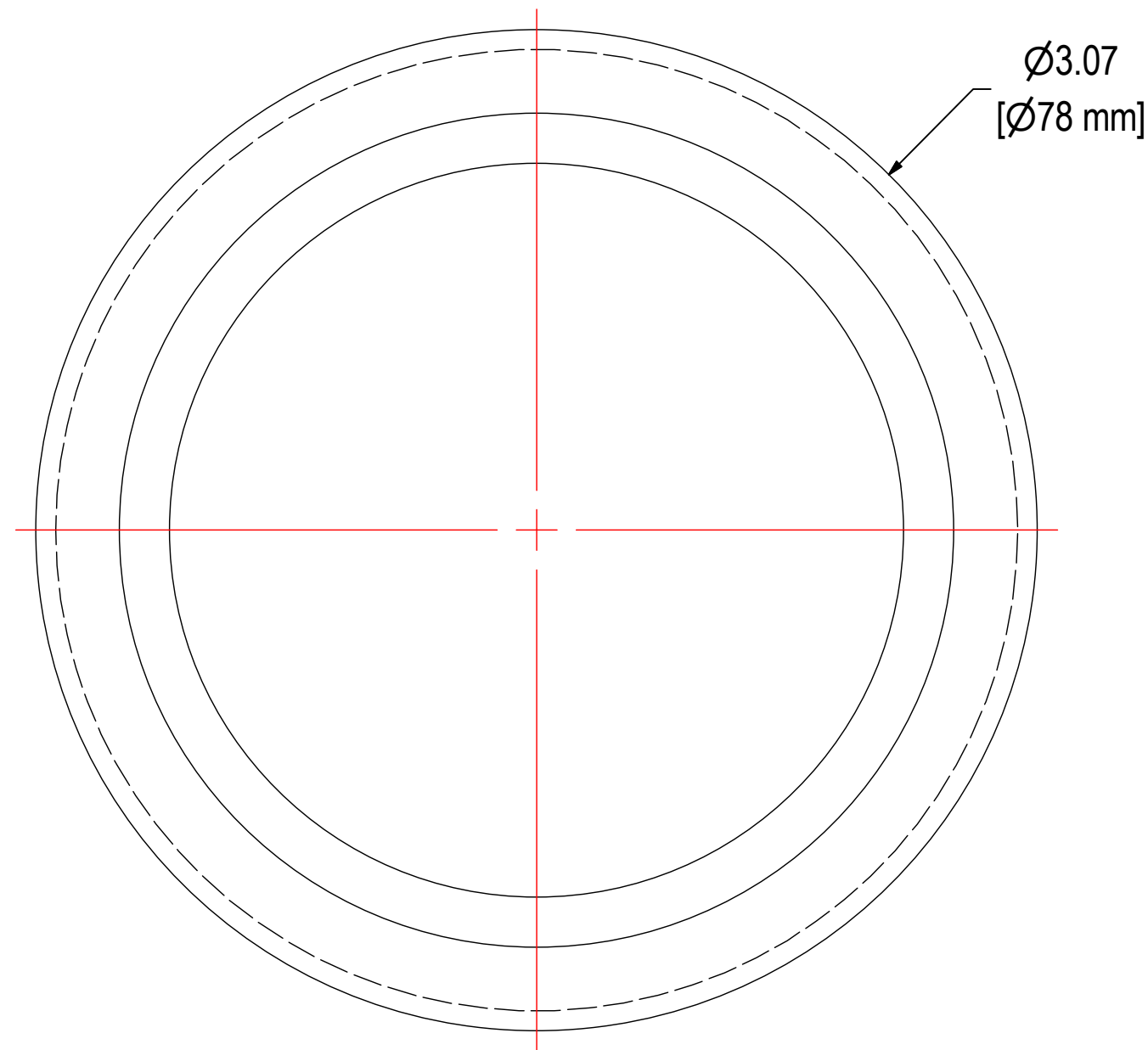


REV	DESCRIPTION	ECN #	CHG BY	DATE	APP'D
A	CONVERTED TO 3D		NAS	06/24/19	NAD



ELEMENT SPECS		
PART NUMBER	06	
MATERIAL	Paper	
FLOW RATE	12 CFM	20 m <sup>3</sup> /hr
SURFACE AREA	0.6 ft <sup>2</sup>	0.1 m <sup>2</sup>
I.D.	N/A	N/A
O.D.	SEE DRAWING	
HEIGHT	SEE DRAWING	