

SOLIS® EAF-275

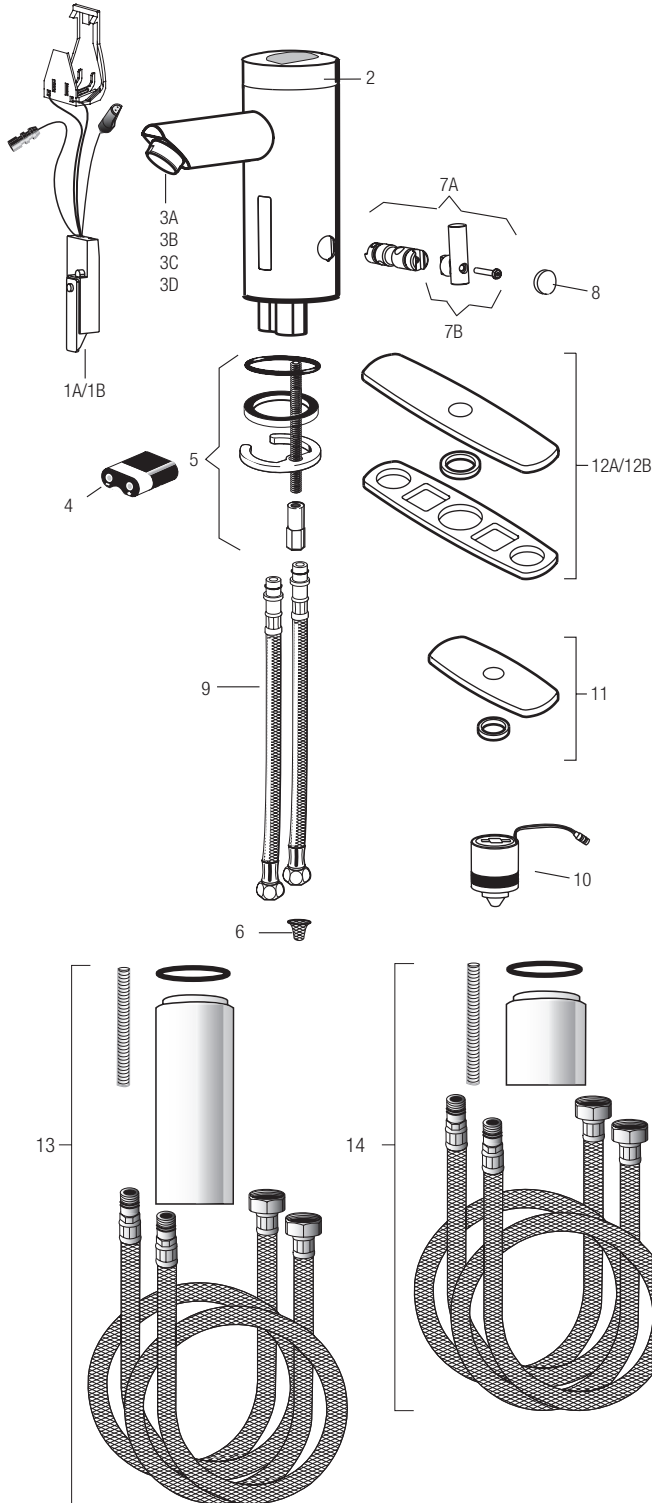


EAF-275

EAF-275 Series Faucet date code 1101 and newer. Product revised to make spray head vandal resistant without need for special spray. EAF-15 only works on product date code 1052 and older.

PARTS LIST—EAF-275 FAUCET

Item No.	Code No.	Part No.	Description
1A.	0335013	EAF-14-A	Faucet Sensor Assembly without i.q.-cliq
1B.	0335014	EAF-16-A	Faucet Sensor Assembly with i.q.-cliq
2.	3335021	EAF-1006	Cap and Solar Cell Assembly
3A.	0335012	EAF-15	0.5 gpm (1.9 Lpm) VR Aerator Spray Head – Pre 03/2011
3B.	0335008	EAF-10	2.2 gpm (8.3 Lpm) Aerator Spray Head
3C.	0335011	EAF-13	2.2 gpm (8.3 Lpm) Laminar Flow Spray Head
3D.	0335029	EAF-51	0.35 gpm (1.3 Lpm) Multi-Laminar Spray Head
4.	3335018	EAF-1003-A	Battery Replacement Kit (CR-P2)
5.	0335000	EAF-1	Faucet Mounting Kit
6.	0335007	EAF-9	Strainer (Filter)
7A.	3335019	EAF-1004	Mixer Handle Assembly and Cartridge
7B.	3335020	EAF-1005	Handle Repair Kit
8.	3335022	EAF-1007	Handle Cap
9.	3335023	EAF-1008	13" (330 mm) Flexible Supply Hose
10.	0335001	EAF-2	Solenoid
11.	3365468	ETF-312-A	Trim Plate for 4" Center-set Sink
12A.	3365024	ETF-510-A	Trim Plate for 8" Center-set Sink
12B.	3362022	SFP-22-A	Use when needing 8" for EAF-35-A extension
13.	3335035	EAF-35-A	Faucet Extension Kit
14.	3335046	EAF-40-A	2-1/4" Faucet Extension Kit. Raises faucet such that outlet height complies with California Office of Statewide Health Planning and Development



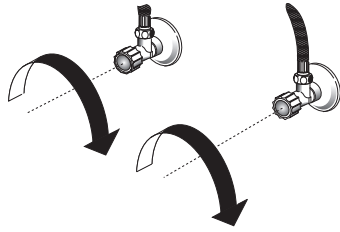
SOLIS® EAF-275

BACK-UP BATTERY REPLACEMENT

Replace battery when red LED indicator flashes each time faucet is in use or when faucet stops functioning.

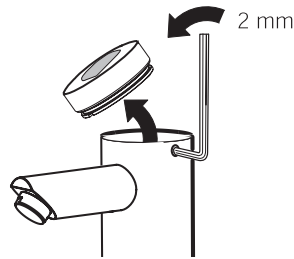
Step 1

Close supply stop(s).



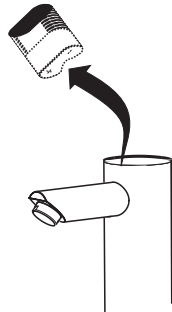
Step 2

Loosen screw with hex wrench.
Remove cap.



Step 3

Move battery retainer tab away from battery.
Remove old battery.
Dispose of properly.



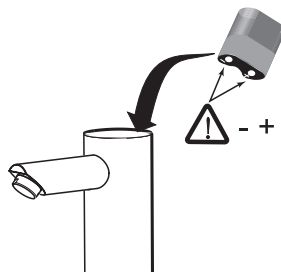
Step 4

Wait three (3) minutes before inserting new battery.



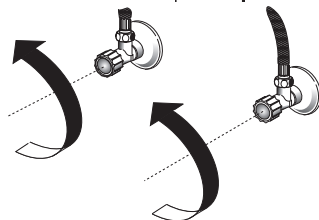
Step 5

Insert a new 6 Volt Type CR-P2 lithium battery. The red LED will flash for one (1) minute.
Reinstall battery cover.
If LED doesn't flash or if it just lights up, remove the Battery. Wait three (3) minutes, then reinsert the Battery.



Step 6

Open supply stops.



If water flows continuously after inserting the new battery and opening the supply stops, remove the battery. Wait three (3) minutes, then reinsert the battery.

When assistance is required, please contact Sloan Technical Support at: 1-888-SLOAN-14 (1-888-756-2614).

TROUBLESHOOTING GUIDE

1. Faucet DOES NOT function.

- A. Adhesive packaging label affixed over sensor eye. Remove adhesive label from sensor eye.
- B. "Permanent Off" activated. Press button on faucet throat one time.

2. Faucet delivers water in an uncontrolled manner.

- A. Faucet is not working properly. Contact Sloan Technical Support.

3. Faucet DOES NOT deliver any water when sensor is activated. INDICATOR: Solenoid valve produces an audible "CLICK."

- A. Water supply stop(s) closed. Open water supply stop(s).
- B. Water supply stop strainer(s) clogged. Clean water supply stop strainer(s).

INDICATOR: Solenoid valve DOES NOT produce an audible "CLICK."

- A. Battery low. Replace battery (refer to battery replacement).

4. Faucet delivers only a slow flow or dribble when sensor is activated.

- A. Water supply stop(s) are partially closed. Completely open water supply stop(s).
- B. Water supply stop strainer(s) clogged. Remove, clean, and reinstall water supply stop strainer(s). Replace strainer(s) if required.
- C. Aerator is clogged. Remove, clean, and reinstall aerator. Replace aerator if required.
- D. Faucet is not working properly. Contact Sloan Technical Support.

5. Faucet DOES NOT stop delivering water or continues to drip after user is no longer detected.

- A. Solenoid Valve is not working properly. Contact Sloan Technical Support.

6. LED indicator blinks when faucet is in use.

- A. Battery low. Replace battery (refer to battery replacement).

7. The water temperature is too hot or too cold on a faucet connected to hot and cold supply lines.

- A. Supply stops are not adjusted properly. Adjust supply stops.
- B. For models with integral mixing valve – mixing valve is set improperly for the water temperature desired. Rotate mixing valve handle clockwise to decrease water temperature or counterclockwise to increase water temperature.

CARE AND CLEANING

DO NOT USE abrasive or chemical cleaners (including chlorine bleach) to clean faucets that may dull the luster and attack the chrome or special decorative finishes. Use **ONLY** mild soap and water, then wipe dry with clean cloth or towel.

While cleaning the bathroom tile, protect the faucet from any splattering of cleaner. Acids and cleaning fluids will discolor or remove chrome plating.

