



► Model LP6

## StreamLine® Low Profile Mini Strobe

The Model LP6 is a very compact, high power strobe light designed for applications where space is critical. At 3-5/8" high, this strobe light is ideal for forklift applications where head room is important. The LP6 also mounts easily to small control panels.

The LP6 features a two joule power supply that works in multiple voltages from 12-48VDC to 120VAC. Modular construction incorporates a powerful flash tube and vibration resistant circuit board.

The LP6 housing utilizes a unique screw-on dome for easy relamping and service. This economical light does not sacrifice power for price or size.

### FEATURES

- Available in 12-48VDC and 120VAC
- Screw-on dome available in five colors
- Surface mount
- Low profile — only 3-5/8" high
- Type 4X enclosure
- UL and cUL Listed and CSA Certified

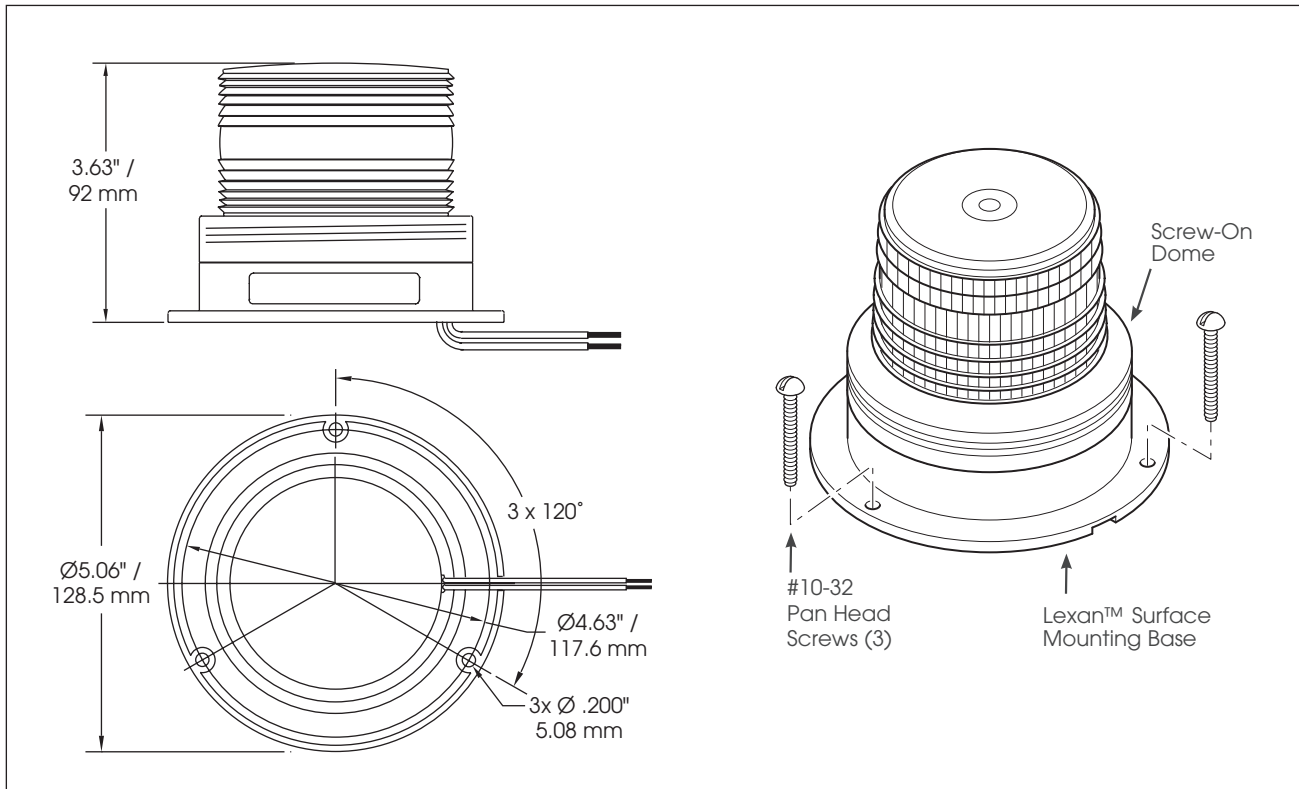
MODEL	VOLTAGE	OPERATING CURRENT	FLASH RATE/ MINUTE	CANDELA	
				PEAK <sup>1</sup>	ECP <sup>2</sup>
<b>LP6-012-048*</b>	12-48VDC	0.44-0.10 amps	65-95	175,000	51.5
<b>LP6-120*</b>	120VAC	0.10 amps	65-95	175,000	51.5

\* Indicates color: (A) Amber, (B) Blue, (C) Clear, (G) Green or (R) Red

<sup>1</sup> Peak candela is the maximum light intensity generated by a flashing light during its light pulse

<sup>2</sup> ECP (Effective Candela) is the intensity that would appear to an observer if the light were burning steadily

StreamLine® Low Profile Mini Strobe (LP6)



SPECIFICATIONS

Lamp Life:	7,000 Hours	
Light Source:	Strobe tube	
Operating Temperature:	-31°F to 150°F	-35°C to 65°C
Net Weight:	0.65 lbs	0.29 kg
Shipping Weight:	0.85 lbs	0.39 kg
Height:	3.63"	92 mm
Diameter:	5.06"	128.5 mm

REPLACEMENT PARTS

Description	Part Number
Lens Kit, Amber <sup>1</sup>	K8435D539A
Lens Kit, Blue <sup>1</sup>	K8435D539A-08
Lens Kit, Clear <sup>1</sup>	K8435D539A-02
Lens Kit, Green <sup>1</sup>	K8435D539A-03
Lens Kit, Red <sup>1</sup>	K8435D539A-07
Strobe Tube	K149128A

<sup>1</sup> Kit Includes the lens and a gasket

HOW TO ORDER

