



Vestil Manufacturing Corp.
 2999 North Wayne Street, P.O. Box 507, Angola, IN 46703
 Telephone: (260) 665-7586 -or- Toll Free (800) 348-0868
 Fax: (260) 665-1339
 Web: www.vestilmfg.com e-mail: info@vestil.com

CRF-series Carpet Rams Instruction Manual



Receiving instructions:

After delivery, remove the packaging from the product. Inspect the product closely to determine whether it sustained damage during transport. If damage is discovered, record a complete description of it on the bill of lading. If the product is undamaged, discard the packaging.

NOTE:

The end-user is solely responsible for confirming that product design, use, and maintenance comply with laws, regulations, codes, and mandatory standards applied where the product is used.

Table of Contents

Signal Words.....	2
Hazards of Improper Use.....	2
Specifications.....	3
CRF-108 exploded view& bill of materials.....	3
CRF-120 exploded view & bill of materials	4
CRF-144 exploded view & bill of materials.....	5
Using the Carpet Ram.....	6
Inspections.....	6
Maintenance.....	6
Labeling Diagram.....	7
Limited Warranty.....	8

Signal Words:

This manual uses SIGNAL WORDS to direct the reader's attention to important safety-related messages. These messages describe uses of the product that could result in personal injury or property damage. Each signal word connotes a specific hazard level. The following are definitions of signal words used in this manual.



Identifies a hazardous situation which, if not avoided, **WILL** result in **DEATH** or **SERIOUS INJURY**. Use of this signal word is limited to the most extreme situations.



Identifies a hazardous situation which, if not avoided, **COULD** result in **DEATH** or **SERIOUS INJURY**.



Indicates a hazardous situation which, if not avoided, **COULD** result in **MINOR** or **MODERATE** injury.



Identifies practices likely to result in product/property damage, such as operation that might damage the product.

Hazards of Improper Use:

Vestil strives to identify all foreseeable hazards of using its products. However, material handling is dangerous and no manual can address every conceivable risk. Ultimately, the most effective way to prevent injury is to apply sound judgment whenever using this device.



Improper or careless use could result in serious personal injuries or death.

- ***Failure to read and understand the entire manual before assembling, installing, using or servicing the product is a misuse of the product.*** Read the manual to refresh your understanding of proper use and maintenance procedures.
- DO NOT exceed the capacity of your unit (see Label 287 on product; also shown in "Labeling diagram" on p. 7).
- Inspect the carpet pole before each use as described in "Inspections" on p. 6.
- Before attaching the carpet ram to the carriage of your fork lift, inspect the carriage and confirm that all parts are structurally sound and in nominal condition.
- Always connect the safety chain to the carriage of your forklift without slack. The unit must not be able to slide on the forks.
- Verify that the load is stable by lifting the carpet just a few inches above the ground. Load swing should be minimal and the carpet pole should not shift on the forks. If the load is not stable while elevated, return it to the ground and use another device to transport it.
- ALWAYS apply the rules governing use of (forklift) front end attachments applied at your work site.
- DO NOT cover or remove any label. Verify the location and legibility of all labels as shown in the Labeling Diagram on p. 7. DO NOT use this device UNLESS all product labels are readable and undamaged.
- DO NOT ride or sit on the carpet pole.
- DO NOT use the carpet pole to push objects. Only use the product to transport a roll of carpet.
- ONLY use this product when traveling on firm, level, even ground.
- DO NOT leave elevated rolls of carpet unattended. Always lower the load before leaving the forklift.
- Carpet roll must not be longer than the pole. The carpet roll must not hang over the end of the pole. See "Using the carpet ram" on p. 6 for loading instructions.
- DO NOT modify the carpet pole in any way UNLESS you first obtain written approval from Vestil. Unapproved modifications automatically void the limited warranty (see p. 8) and might make the product unsafe to use.

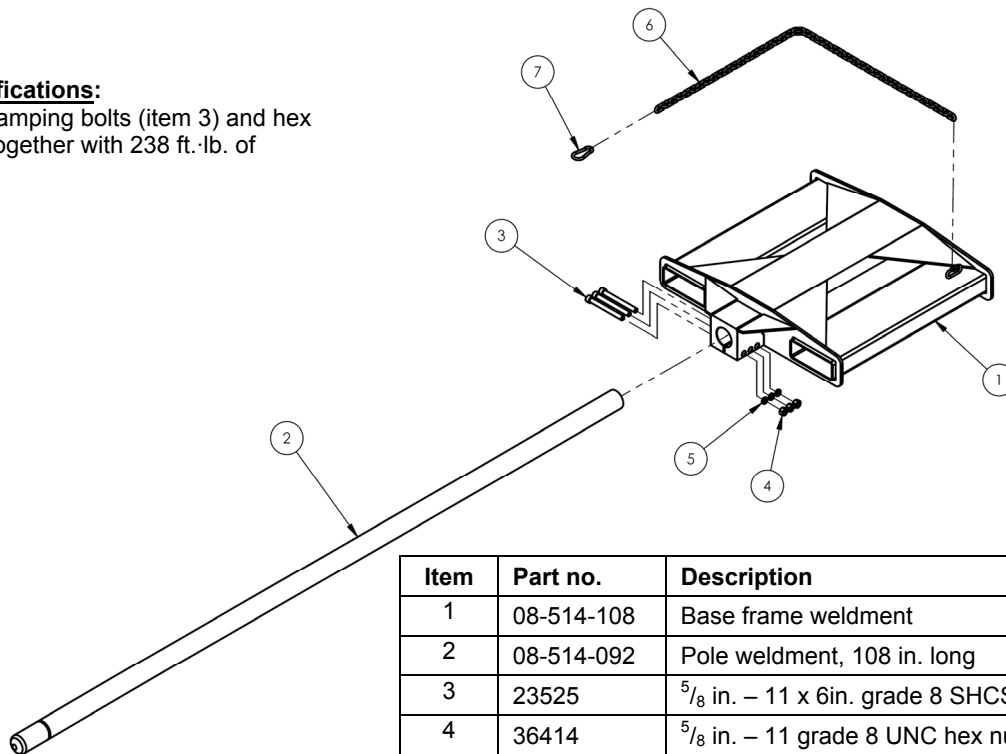
Specifications:

Model	Pole Length	Overall Length	Pole Diameter	Capacity	Net Weight
CRF-108	108 ¹ / ₂ " (275.6cm)	142 ³ / ₄ " (362.6cm)	2 ³ / ₄ " 7 cm	2,500 lb. 1136 kg	354 lb. (160.9 kg)
CRF-120	120 ¹ / ₂ " (306.1cm)	154 ³ / ₄ " (393.1cm)	2 ³ / ₄ " 7 cm	2,200 lb. 1000 kg	374 lb. (170.0 kg)
CRF-144	144 ¹ / ₂ " (367.0cm)	178 ³ / ₄ " (454.0cm)	2 ³ / ₄ " 7 cm	1,800 lb. 818 kg	414 lb. (188.2 kg)

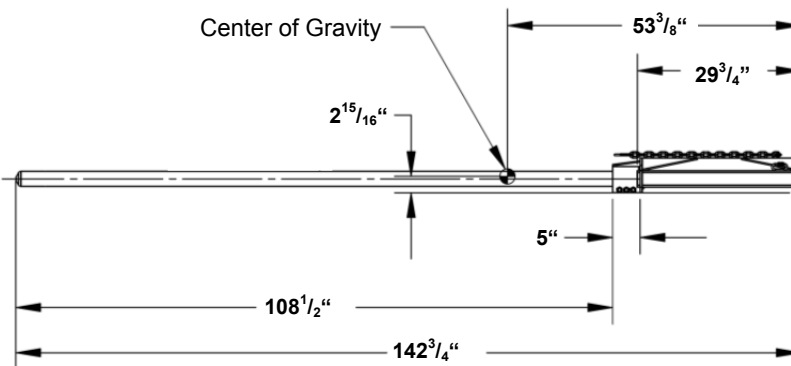
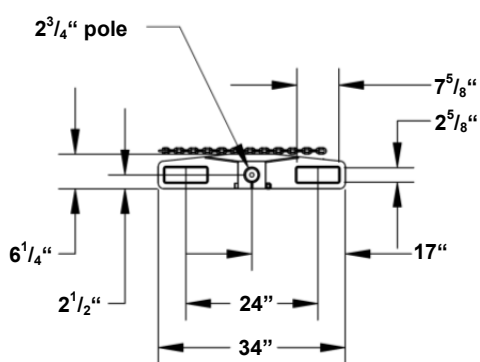
CRF-108 exploded view and bill of materials

Torque specifications:

Fasten pole clamping bolts (item 3) and hex nuts (item 4) together with 238 ft.-lb. of torque.



Item	Part no.	Description	Quantity
1	08-514-108	Base frame weldment	1
2	08-514-092	Pole weldment, 108 in. long	1
3	23525	⁵ / ₈ in. – 11 x 6in. grade 8 SHCS bolt	3
4	36414	⁵ / ₈ in. – 11 grade 8 UNC hex nut	3
5	33692	⁵ / ₈ in. high collar lock washer	3
6	09-145-018	⁵ / ₁₆ in. chain, 56 in. long	1
7	08-145-041	⁵ / ₁₆ in. snap hook	1

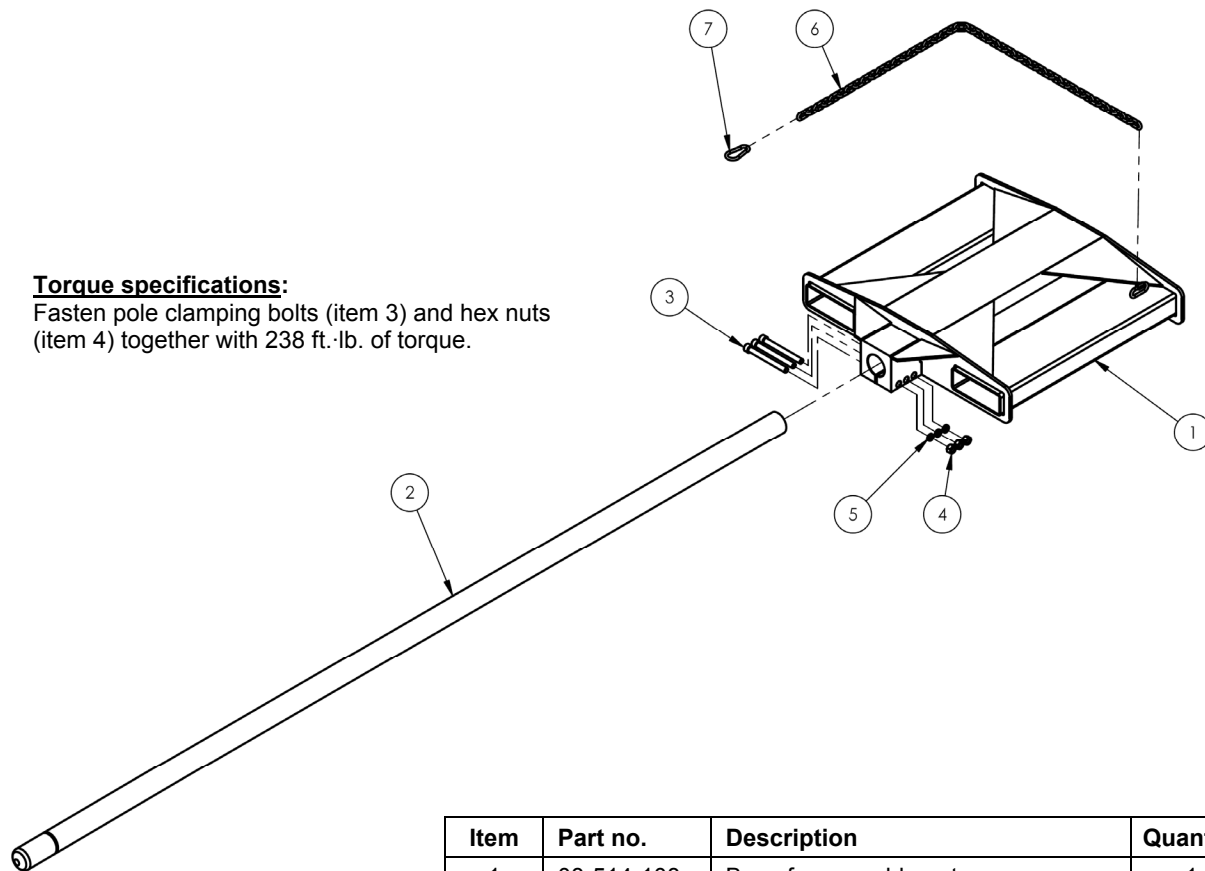


Horizontal center of gravity = 53³/₈"
 Vertical center of gravity = 2¹⁵/₁₆"
 Lost load = ~360 lb.

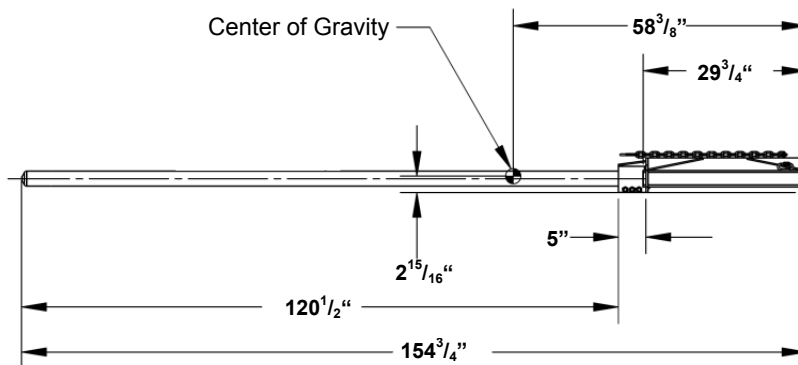
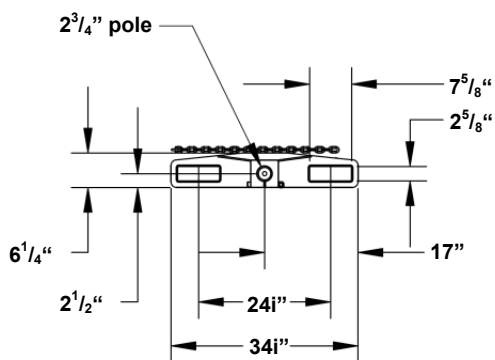
CRF-120 exploded view and bill of materials

Torque specifications:

Fasten pole clamping bolts (item 3) and hex nuts (item 4) together with 238 ft.-lb. of torque.



Item	Part no.	Description	Quantity
1	08-514-108	Base frame weldment	1
2	08-514-093	Pole weldment, 120 in. long	1
3	23525	$\frac{5}{8}$ in. – 11 x 6in. grade 8 SHCS bolt	3
4	36414	$\frac{5}{8}$ in. – 11 grade 8 UNC hex nut	3
5	33692	$\frac{5}{8}$ in. high collar lock washer	3
6	09-145-018	$\frac{5}{16}$ in. chain, 56 in. long	1
7	08-145-041	$\frac{5}{16}$ in. snap hook	1

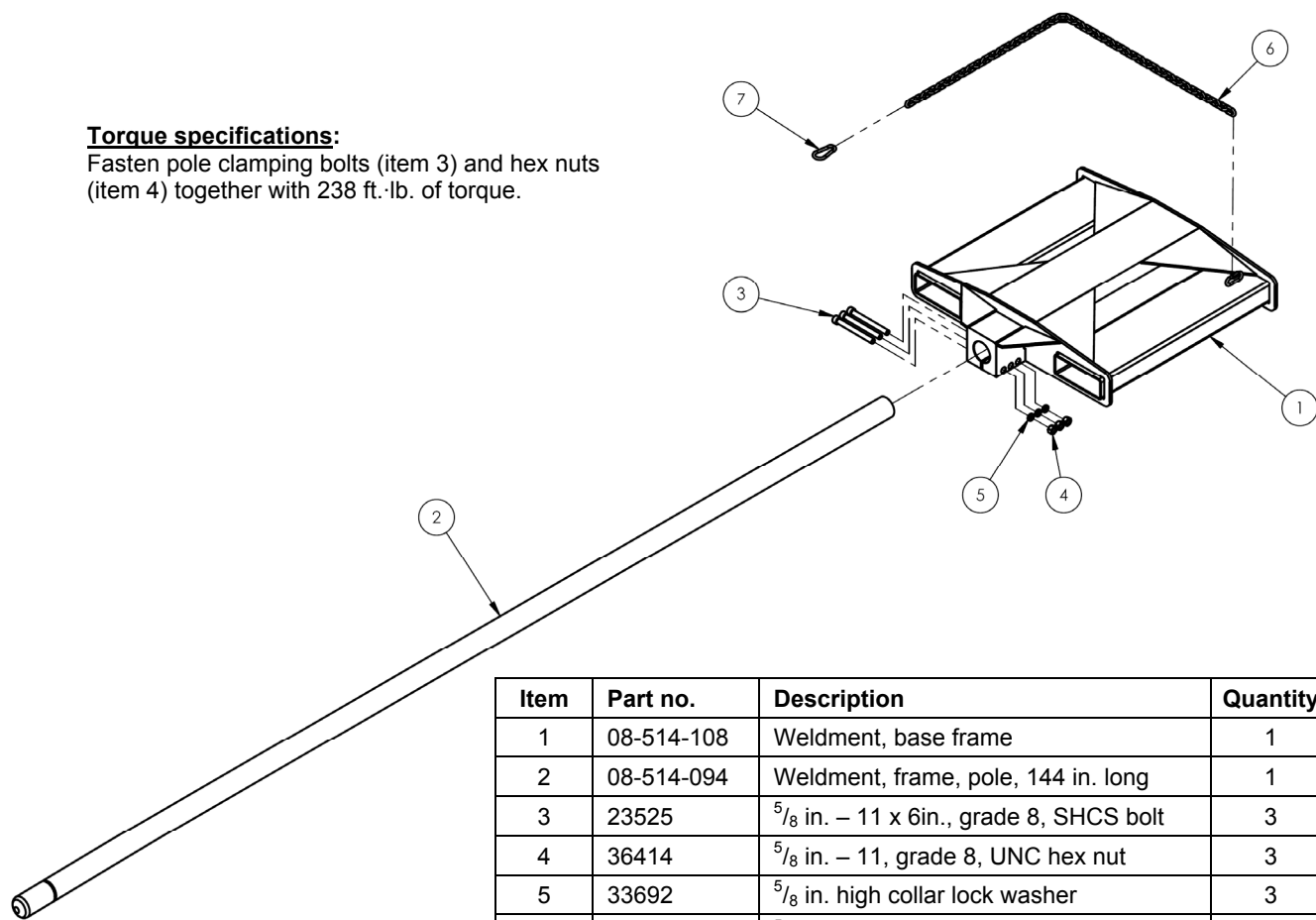


Horizontal center of gravity = $58\frac{3}{8}$ "
 Vertical center of gravity = $2\frac{15}{16}$ "
 Lost load = approximately 380 lb.

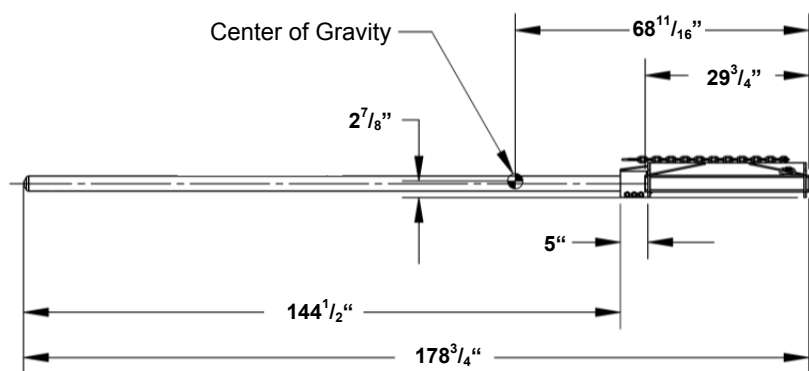
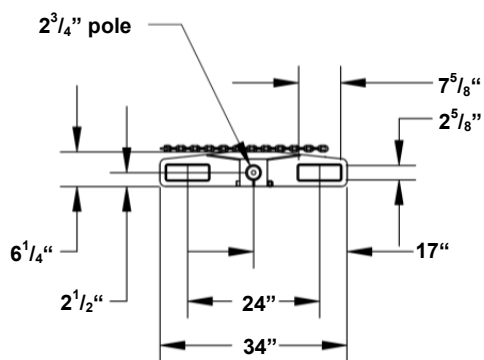
CRF-144 exploded view and bill of materials

Torque specifications:

Fasten pole clamping bolts (item 3) and hex nuts (item 4) together with 238 ft.·lb. of torque.



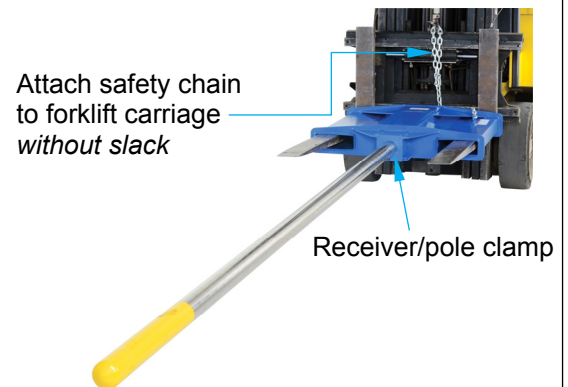
Item	Part no.	Description	Quantity
1	08-514-108	Weldment, base frame	1
2	08-514-094	Weldment, frame, pole, 144 in. long	1
3	23525	$\frac{5}{8}$ in. – 11 x 6in., grade 8, SHCS bolt	3
4	36414	$\frac{5}{8}$ in. – 11, grade 8, UNC hex nut	3
5	33692	$\frac{5}{8}$ in. high collar lock washer	3
6	09-145-018	$\frac{5}{16}$ in. chain, 56 in. long	1
7	08-145-041	$\frac{5}{16}$ in. snap hook	1



Horizontal center of gravity = $68\frac{11}{16}$ "
 Vertical center of gravity = $2\frac{7}{8}$ "
 Lost load = ~420 lb.

Using the carpet ram:

- Step 1: Insert the forks of your lift truck into the fork pockets of the frame. Drive forward until the end of the frame contacts the heels of the forks.
- Step 2: To prevent the ram from sliding on the forks, attach the safety chain to the carriage of your lift truck **without slack**.
- Step 3: Insert the pole into a roll of carpet. Drive forward until the end of the roll contacts the receiver.
- Step 4: Raise the forks only as high as necessary to lift the roll of carpet off of the ground and to avoid contact with objects during transport. **DO NOT** leave a raised roll unattended. Always unload the carpet ram before leaving the forklift.



Inspections:

Written records — before using the ram for the first time, make a written record of its appearance. Describe the condition of the frame, pole, clamping bolts, safety chain, and snap hook. Take photographs of each item and add them to the record. Take photographs of all labels applied to the ram. Describe where each label is located. This record establishes normal condition. When conducting the following inspections, compare your observations to the record to determine if a component is in normal condition. Do not use the carpet ram unless every component is in normal condition. Cosmetic changes, like damaged paint/powder coat do not constitute changes from normal condition. However, touchup paint should be applied to all affected areas as soon as damage occurs.

Before each use — perform the following inspections.

1. Check the surface of the pole for dirt or other matter.
2. Confirm integrity of hardware and fasteners, including but not limited to bolts, nuts, pins, snap hook, quick link.
3. Normal operability of manually operated mechanisms (by hand or foot).
4. Abnormal, unstable or noisy movement during use.
5. Examine pole and pole clamp for looseness or excessive wear, damage, or indications of metal fatigue.
6. Inspect the fork tubes for damage such as severe wear, thinned walls, significant corrosion, and warps.
7. Confirm that the safety chain is in satisfactory condition. Look for broken, elongated, and twisted links.
8. Check all labels (see “Labeling diagram” on p. 7). Replace labels that are damaged or not easily readable.
9. Examine the whole structure for rusting/metal erosion. Remove rust/corrosion with a steel bristle brush or steel wool. Clean the area and apply touchup paint.

Annual evaluation — At least once per year, authorized inspection personnel should use the carpet pole to list a full capacity load. Afterwards, conduct a Frequent Inspection to confirm that the product is in normal condition.

Maintenance:

End-users should implement a maintenance program to ensure that the product functions properly and is adequately maintained. The OSHA “General Industry” standard for “Powered industrial trucks” ([29 CFR 1910.178](#)) provides recommended maintenance procedures. The following steps should be utilized in conjunction with those procedures. **ONLY** trained, authorized personnel or contractors should perform inspection, maintenance, or repair work.

NOTE: The end-user is responsible for selecting and training employees to work on the carpet ram. “Work on” means use, inspect, and maintain the product.

Step 1: Tag the ram, “Out of Service.”

Step 2: Remove any dirt or other matter from all surfaces.

Step 3: Conduct a “Before each use” inspection. If deformity, corrosion, rusting, or excessive wear of structural members is found, **DO NOT** use the product. Permanently remove it from service.

Step 4: Perform all necessary adjustments, replacements and/or repairs but **DO NOT** modify the ram.

NOTE: The reader should understand the significant difference between necessary adjustments and repairs, and modifications. An “adjustment” is a simple correction that restores the device to normal condition, such as tightening loose fasteners, or removing dirt or other debris from the surface. “Repair” refers to removing worn parts and installing replacement parts. A “modification” is a change that alters the carpet pole from normal condition, like bending the structural members or removing a part or several parts. **NEVER** modify the device without first obtaining express, written approval from Vestil. Modifications automatically void the limited warranty (see p. 8) and might make the device unsafe to use.

Step 5: Make a dated record of any repairs, adjustments and/or replacements.

Labeling Diagram:

The product should always be labeled as shown in the diagram below. Product labeling is subject to change without notice. Therefore, your unit as delivered might be labeled differently. Make sure that your written record (see "Inspections" on p. 6) includes descriptions and photos of all labels applied to your unit. Replace any label that is damaged or not easily readable (e.g. faded or torn).



A: Label 1049 (Forklift must be properly marked)

⚠ WARNING
<p>Improper use of this fork attachment might result in death or serious injury.</p> <ul style="list-style-type: none"> Before using this fork attachment, US Federal regulation 29 CFR 1910.178 requires you to contact the manufacturer of your lift truck and request: <ol style="list-style-type: none"> Written approval [29 CFR 1910.178(a)(4)] Markings for (fork) lift truck that: <ul style="list-style-type: none"> Identify the attachment; Give approximate weight of truck and attachment at maximum evaluation with laterally-centered load. [29 CFR 1910.178(a)(5)]. DO NOT use UNTIL lift truck is marked with corrected capacity tags. 1049

B: Label 985 (Proper installation)

⚠ WARNING	⚠ ADVERTENCIA
<p>Serious personal injury might result if this product is installed or used improperly.</p> <ul style="list-style-type: none"> This side UP. ALWAYS install carpet ram according to instruction manual. When installed correctly, bolts clamping pole to backplate are below pole. DO NOT ride or sit on carpet ram. DO NOT use carpet ram to push, pull, or drag another object. DO NOT leave elevated roll of carpet unattended 	<p>Daños serios al personal podrían ser el resultado si este producto se instala o utiliza incorrectamente.</p> <ul style="list-style-type: none"> Esta parte hacia ARRIBA SIEMPRE instale el recojedor de alfombras de acuerdo con le manual de instrucciones NO ande o se siente en el recojedor de alfombras NO use el recojedor de alfombras para empujar, tirar, o arrastrar ningún objeto NO deje el elevado rollo de alfombra sin atender. 985

C: Label 287; Model, serial no. capacity

MODEL/MODÉLO/MODÈLE _____	
STATIC CAPACITY (evenly distributed) _____	lbs.
LA CAPACIDAD CONSTANTE (distribuida uniformemente) _____	kgs.
CAPACITÉ STATIQUE (distribuée régulièrement) _____	kgs.
SERIAL/SERIE/SÉRIE _____	
287 REV 0812	

D: Label 218: Fasten safety chain to carriage

⚠ WARNING	⚠ ADVERTENCIAS
<p>Improper use might result in death or serious personal injury. Attach device to fork carriage with safety chain/strap.</p> <ul style="list-style-type: none"> Drive lift truck forward until forks contact ends of fork pockets. Chain/straps must not be able to disconnect (slide free) from carriage. Safety chain/strap must be taut. Connect chain/strap to carriage via shortest line. 	<p>El uso improprio puede resultar en muerte o heridas personales. Ajar aparato al mástil del montacargas con cadenas/correas.</p> <ul style="list-style-type: none"> Maneje el montacargas para adelante hasta que las cuñas hagan contacto con la orilla del bolsillo de las cuñas. La cadenas y correas no deben de deslizarse (soltarse) del mástil del montacargas. La cadena/correa de seguridad debe de estar apretado. Asegure la cadena/correa al mástil via la ruta mas corta. 218

E: Label 1001: This Side Up

USE THIS SIDE UP ONLY
1001

LIMITED WARRANTY

Vestil Manufacturing Corporation (“Vestil”) warrants this product to be free of defects in material and workmanship during the warranty period. Our warranty obligation is to provide a replacement for a defective, original part covered by the warranty after we receive a proper request from the Warrantee (you) for warranty service.

Who may request service?

Only a warrantee may request service. You are a warrantee if you purchased the product from Vestil or from an authorized distributor AND Vestil has been fully paid.

Definition of “original part”?

An original part is a part used to make the product as shipped to the Warrantee.

What is a “proper request”?

A request for warranty service is proper if Vestil receives: 1) a photocopy of the Customer Invoice that displays the shipping date; AND 2) a written request for warranty service including your name and phone number. Send requests by one of the following methods:

<u>US Mail</u>	<u>Fax</u>	<u>Email</u>
Vestil Manufacturing Corporation 2999 North Wayne Street, PO Box 507 Angola, IN 46703	(260) 665-1339 <u>Phone</u> (260) 665-7586	info@vestil.com Enter “Warranty service request” in subject field.

In the written request, list the parts believed to be defective and include the address where replacements should be delivered. After Vestil receives your request for warranty service, an authorized representative will contact you to determine whether your claim is covered by the warranty. Before providing warranty service, Vestil will require you to send the entire product, or just the defective part (or parts), to its facility in Angola, IN.

What is covered under the warranty?

The warranty covers defects in the following original, dynamic parts: motors, hydraulic pumps, electronic controllers, switches, and cylinders. It also covers defects in original parts that wear under normal usage conditions (“wearing parts”), such as bearings, hoses, wheels, seals, brushes, and batteries.

How long is the warranty period?

The warranty period for original dynamic components is 90 days. For wearing parts, the warranty period is 90 days. Both warranty periods begin on the date Vestil ships the product to the Warrantee. If the product was purchased from an authorized distributor, the periods begin when the distributor ships the product. Vestil may, at its sole discretion, extend a warranty period for products shipped from authorized distributors by up to 30 days to account for shipping time.

If a defective part is covered by the warranty, what will Vestil do to correct the problem?

Vestil will provide an appropriate replacement for any *covered* part. An authorized representative of Vestil will contact you to discuss your claim.

What is not covered by the warranty?

The Warrantee (you) are responsible for paying labor costs and freight costs to return the product to Vestil for warranty service.

Events that automatically void the Limited Warranty.

- Misuse;
- Negligent assembly, installation, operation or repair;
- Installation/use in corrosive environments;
- Inadequate or improper maintenance;
- Damage sustained during shipping;
- Collisions or other accidents that damage the product;
- Unauthorized modifications: Do not modify the product IN ANY WAY without first receiving written authorization from Vestil.

Do any other warranties apply to the product?

Vestil Manufacturing Corp. makes no other express warranties. All implied warranties are disclaimed to the extent allowed by law. Any implied warranty not disclaimed is limited in scope to the terms of this Limited Warranty. Vestil makes no warranty or representation that this product complies with any state or local design, performance, or safety code or standard. Noncompliance with any such code or standard is not a defect in material or workmanship.

