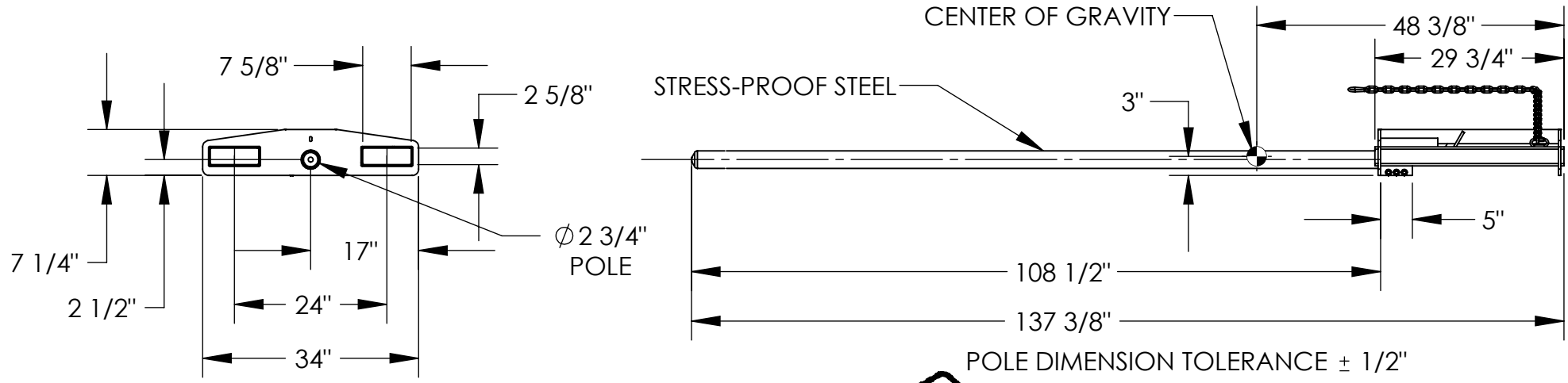


FORK MOUNTED RUG-RAM - CRF-108

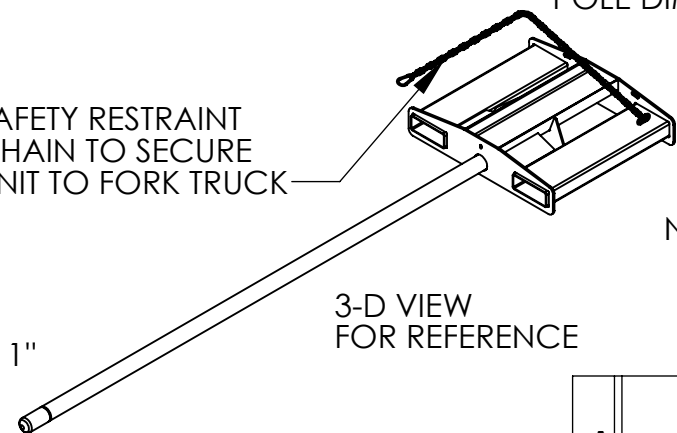
APPROX WEIGHT: 376.21 lbs.
DOES NOT INCLUDE WEIGHT OF POWER OR PACKAGING!!!

*** ANY ADDITIONS, DELETIONS, OR OMISSIONS MUST BE CORRECTED ON THIS DRAWING AS THIS DRAWING WILL BE CONSIDERED ALL INCLUSIVE ***

ALL GRAPHICS PROVIDED ARE FOR REFERENCE ONLY. IF CERTAIN DIMENSIONS ARE CRITICAL PLEASE VERIFY THOSE DIMENSIONS WITH YOUR SALESPERSON



SAFETY RESTRAINT
CHAIN TO SECURE
UNIT TO FORK TRUCK



3-D VIEW
FOR REFERENCE

POLE DIMENSION TOLERANCE $\pm 1/2$ "

NOTE: NEVER EXCEED LOAD CENTER RATING PER FORK TRUCK MANUFACTURER'S GUIDELINES. DO NOT USE THIS FORK TRUCK ATTACHMENT IF LOAD WILL EXCEED FORK TRUCK MANUFACTURER'S LOAD CENTER RATING.

HORIZONTAL CENTER OF GRAVITY: 48 3/8"
VERTICAL CENTER OF GRAVITY: 3"
LOST LOAD: 376 LBS. (APPROX.)
MINIMUM EFFECTIVE THICKNESS= LESS THAN 1"

STANDARD FEATURES

- MODEL NUMBER: CRF-108
- CAPACITY: 2,500 LBS. UNIFORM CAPACITY
- POLE LENGTH: 108 1/2"
- OVERALL LENGTH: 137 3/8"
- POLE DIAMETER: 2 3/4"
- FORK POCKETS ARE 7 5/8" W x 2 5/8" H
- USABLE ON 24" FORK CENTERS
- WITH SAFETY CHAIN TO SECURE TO THE UNIT TO THE MAST OF THE FORK TRUCK
- DURABLE LIQUID PAINT
- BLUE FINISH ON FRAME

SPECIAL FEATURES

NONE

A P P R O V A L

I, THE UNDERSIGNED, AGREE THAT THE PRODUCT AS REPRESENTED SATISFIES DESIGN AND DIMENSION REQUIREMENTS. I ALSO ACKNOWLEDGE MY DUTY TO CONFIRM PRODUCT AND INSTALLATION COMPLIANCE WITH ALL APPLICABLE FEDERAL, STATE AND LOCAL REGULATIONS AND STANDARDS.

UNITS REQUIRING APPROVAL DRAWINGS OR MODIFIED ARE NON-RETURNABLE

[] As drawn [] As marked

Signed: _____ Date: _____

Printed Name: _____

LEAD TIME WILL START UPON RECEIPT OF SIGNED APPROVAL DRAWING

DISTRIBUTOR'S NAME:		P.O.#
VESTIL MANUFACTURING		X
DRAWN BY: BJW		DATE: 1/12/2008
REFERENCE: X		SCALE: 1:24
QUOTED LEAD TIME: X		QUOTE # X
		SALES: X
		FILE NAME: 08-007-156