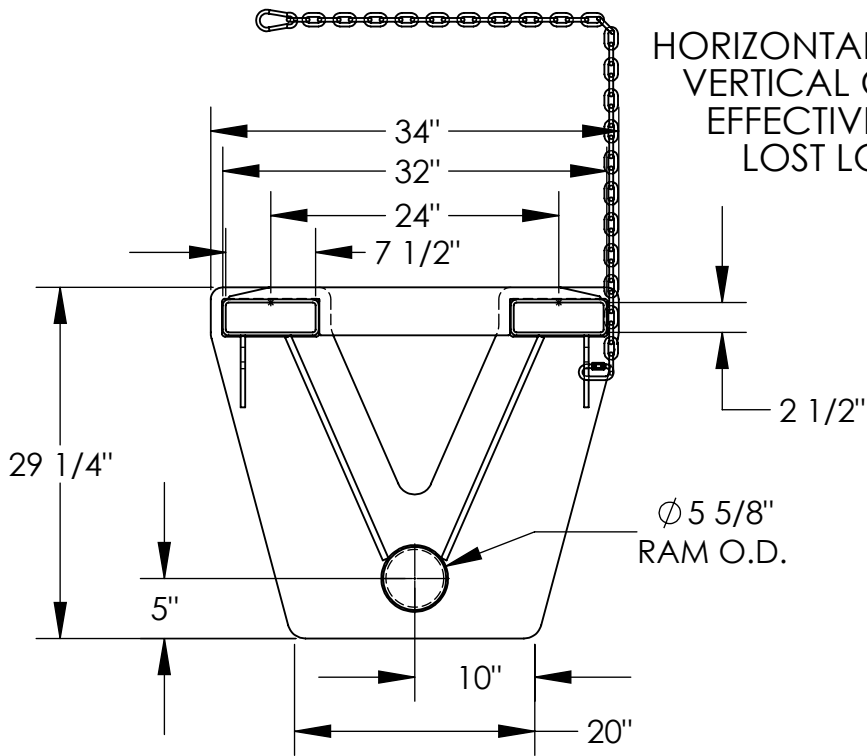


FORK MOUNTED COIL RAM - CCF-48-5

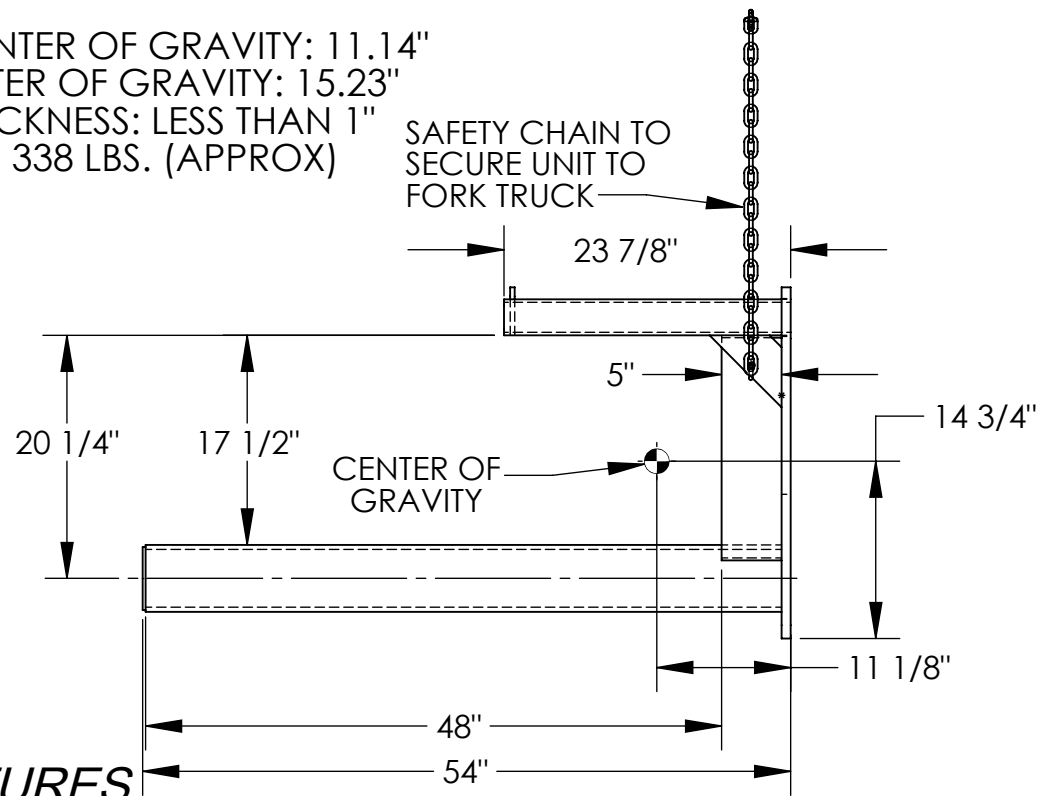
APPROX WEIGHT: 337.47 lbs.
 DOES NOT INCLUDE WEIGHT OF POWER OR PACKAGING!!!

*** ANY ADDITIONS, DELETIONS, OR OMISSIONS MUST BE CORRECTED ON THIS DRAWING AS THIS DRAWING WILL BE CONSIDERED ALL INCLUSIVE ***

ALL GRAPHICS PROVIDED ARE FOR REFERENCE ONLY. IF CERTAIN DIMENSIONS ARE CRITICAL PLEASE VERIFY THOSE DIMENSIONS WITH YOUR SALESPERSON



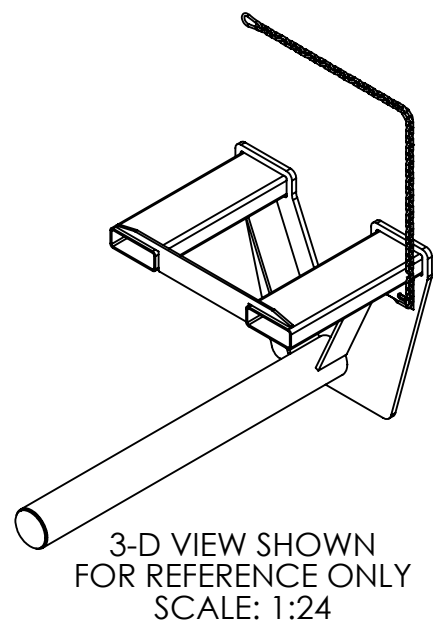
HORIZONTAL CENTER OF GRAVITY: 11.14"
 VERTICAL CENTER OF GRAVITY: 15.23"
 EFFECTIVE THICKNESS: LESS THAN 1"
 LOST LOAD: 338 LBS. (APPROX)



STANDARD FEATURES

- MODEL NUMBER IS CCF-48-5
 - OVERALL WIDTH IS 34"
 - OVERALL HEIGHT IS 29 1/4"
 - USABLE RAM LENGTH IS 48"
 - RAM O.D. IS 5 5/8"
 - UNIFORM CAPACITY IS 5,500 LBS.
 - STANDARD FORK POCKETS ARE 7 1/2" W x 2 1/2" H USABLE ON 24" CENTERS
 - DURABLE LIQUID PAINT BLUE FINISH
- ## SPECIAL FEATURES
- NONE

NEVER EXCEED LOAD CENTER RATING PER FORK TRUCK MANUFACTURER'S GUIDELINES.
 DO NOT USE THIS FORK TRUCK ATTACHMENT IF LOAD WILL EXCEED FORK TRUCK MANUFACTURER'S LOAD CENTER RATING.



DIMENSION TOLERANCE ± 1/4"

A P P R O V A L

I, THE UNDERSIGNED, AGREE THAT THE PRODUCT AS REPRESENTED SATISFIES DESIGN AND DIMENSION REQUIREMENTS. I ALSO ACKNOWLEDGE MY DUTY TO CONFIRM PRODUCT AND INSTALLATION COMPLIANCE WITH ALL APPLICABLE FEDERAL, STATE AND LOCAL REGULATIONS AND STANDARDS.

UNITS REQUIRING APPROVAL DRAWINGS OR MODIFIED ARE NON-RETURNABLE

As drawn As marked

Signed: _____ Date: _____

Printed Name: _____

LEAD TIME WILL START UPON RECEIPT OF SIGNED APPROVAL DRAWING

DISTRIBUTOR'S NAME:		P.O.#
VESTIL MANUFACTURING		X
DRAWN BY: B.NOTHNAGEL		W.O.#
DATE: 8/1/2015		X
REFERENCE: X	SCALE: 1:16	SALES: X
QUOTED LEAD TIME: X	QUOTE #	FILE NAME:
	X	08-007-268