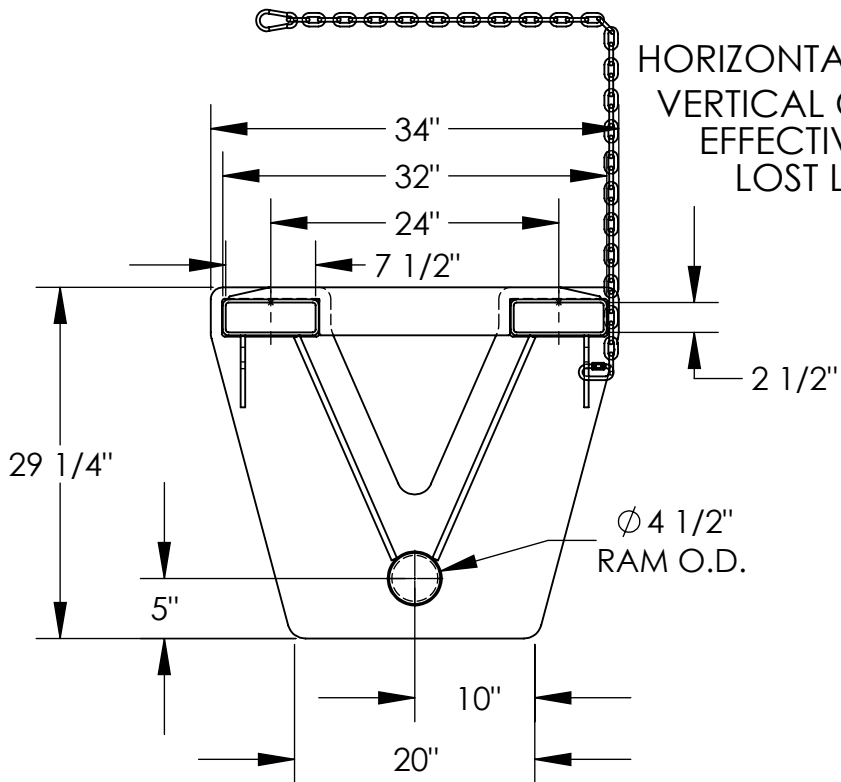


# FORK MOUNTED COIL RAM - CCF-24-4

APPROX WEIGHT: 281.33 lbs.  
 DOES NOT INCLUDE WEIGHT OF POWER OR PACKAGING!!!

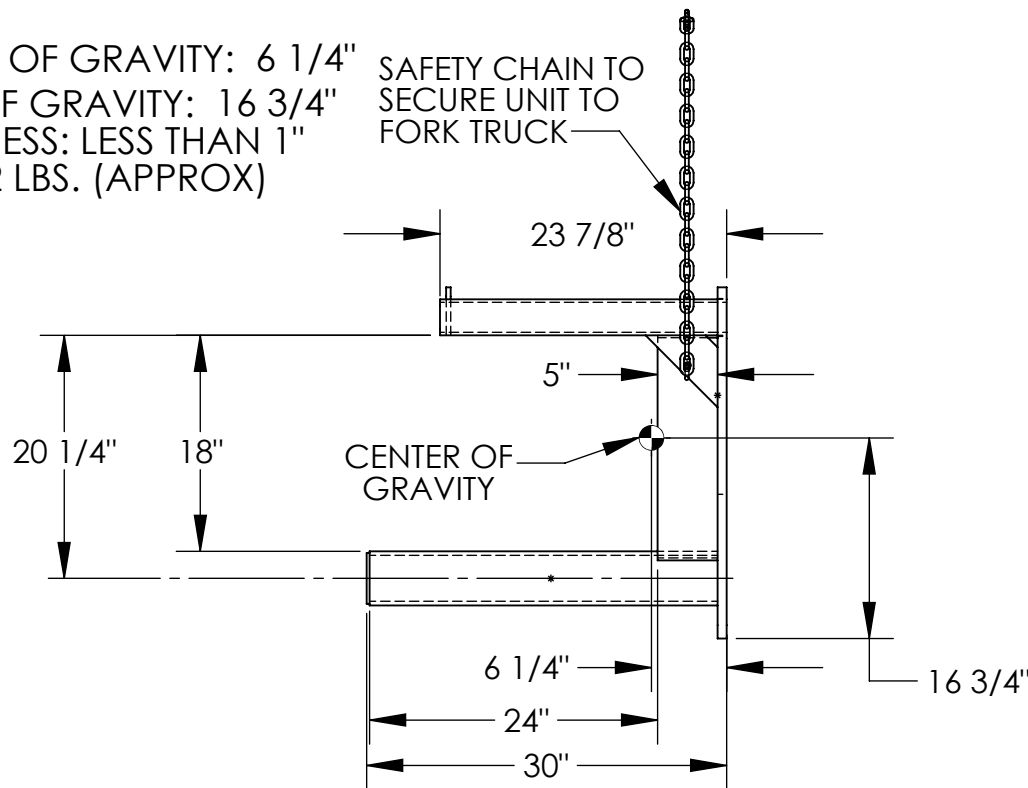
\*\*\* ANY ADDITIONS, DELETIONS, OR OMISSIONS MUST BE CORRECTED ON THIS DRAWING AS THIS DRAWING WILL BE CONSIDERED ALL INCLUSIVE \*\*\*

ALL GRAPHICS PROVIDED ARE FOR REFERENCE ONLY. IF CERTAIN DIMENSIONS ARE CRITICAL PLEASE VERIFY THOSE DIMENSIONS WITH YOUR SALESPERSON



HORIZONTAL CENTER OF GRAVITY: 6 1/4"  
 VERTICAL CENTER OF GRAVITY: 16 3/4"  
 EFFECTIVE THICKNESS: LESS THAN 1"  
 LOST LOAD: 282 LBS. (APPROX)

SAFETY CHAIN TO  
 SECURE UNIT TO  
 FORK TRUCK



DIMENSION TOLERANCE  $\pm 1/4$ "

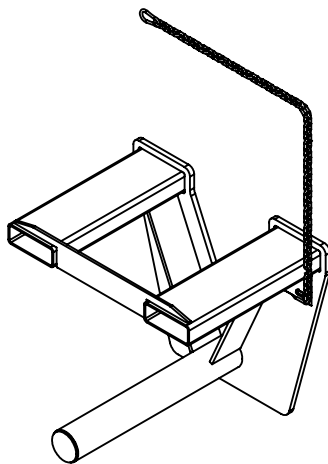
## STANDARD FEATURES

- MODEL NUMBER IS CCF-24-4
- OVERALL WIDTH IS 34"
- OVERALL HEIGHT IS 29 1/4"
- USABLE RAM LENGTH IS 24"
- RAM O.D. IS 4 1/2"
- UNIFORM CAPACITY IS 3,000 LBS.
- STANDARD FORK POCKETS ARE 7 1/2" W x 2 1/2" H USABLE ON 24" CENTERS
- DURABLE LIQUID PAINT BLUE FINISH

## SPECIAL FEATURES

NONE

NEVER EXCEED LOAD CENTER RATING PER FORK TRUCK MANUFACTURER'S GUIDELINES. DO NOT USE THIS FORK TRUCK ATTACHMENT IF LOAD WILL EXCEED FORK TRUCK MANUFACTURER'S LOAD CENTER RATING.



3-D VIEW SHOWN FOR REFERENCE ONLY  
 SCALE: 1:24

APPROVAL

I, THE UNDERSIGNED, AGREE THAT THE PRODUCT AS REPRESENTED SATISFIES DESIGN AND DIMENSION REQUIREMENTS. I ALSO ACKNOWLEDGE MY DUTY TO CONFIRM PRODUCT AND INSTALLATION COMPLIANCE WITH ALL APPLICABLE FEDERAL, STATE AND LOCAL REGULATIONS AND STANDARDS.  
**UNITS REQUIRING APPROVAL DRAWINGS OR MODIFIED ARE NON-RETURNABLE**

As drawn       As marked

Signed: \_\_\_\_\_ Date: \_\_\_\_\_

Printed Name: \_\_\_\_\_

LEAD TIME WILL START UPON RECEIPT OF SIGNED APPROVAL DRAWING

DISTRIBUTOR'S NAME:		P.O.#
VESTIL MANUFACTURING		X
DRAWN BY: B. NOTHNAGEL		DATE: 8/1/2015
REFERENCE: X		SCALE: 1:16
QUOTED LEAD TIME: X		QUOTE # X
		FILE NAME: 08-007-262