

Honeywell

THE POWER OF **CONNECTED**



Emergency Escape Breathing Apparatus Pressure Demand Supplied Air Respirators Self-Contained Breathing Apparatus (SCBA)

Quick Reference Ordering Guides

TABLE OF CONTENTS

Escape Breathing Apparatus (EBA)	2
Pressure Demand Supplied Air Respirators (PD-SAR)	3
How to order a PD-SAR system	3
Hip-Pac & PD-SAR Upgrade & Conversion Kits	6
Spare Hip-Pac Cylinders	7
Hip-Pac Cases	7
Air Carts	7
Cascade System Components	8
Pre-Configured Industrial SCBA	9
Preconfigured Cougar and PUMA, In Stock	9
Pre-Configured Cougar and PUMA, Non-Stock	10
Pre-Configured 1997-Style Panther, Non-Stock	11
Custom Configured Cougar™ and PUMA™ and Panther™ SCBA	12
How to order a non-HUD 1997-Style Industrial SCBA	12
Installed & Spare Cylinder & Valve Assemblies	14
Facepieces and Hoods for Cougar and PUMA and Panther SCBA	16
Twenty/20+ & Classic Facepieces	16
PUMA Hoods	17
Installed Communication Systems	17
Facepiece Accessories	18
Accessories for Cougar, PUMA and Panther SCBA	19
Installed Accessories	19
Miscellaneous Accessories	20
COMPASS Integrated PASS Kits	21
TITAN™ NIOSH/NFPA SCBA	22
Semi-Configured	22
Custom Configured	23
Installed Components and Options	25
Non-Installed Options	30
Non-Installed Communication and Lapel Mics	31
Communication Products for PD-SAR and SCBA	33
How to Order a Wireless or Hardwired Communication System	33
CommCommand Wireless Communication	33
Lapel Mics for CommCommand	34
Hardwired Communication Systems	35
Radio Interface Cables	36
Accessories, PD-SAR and SCBA	40
Accessories, PD-SAR	40
Smoke Sim	40
Salvage Master	40
Pathfinder Locating System	40
Rapid Intervention Team (RIT) Kits	41
Miscellaneous Accessories	41
Repair & Maintenance	42
Fit Test Kits and Adapters	43
Posi3 USB Testing Equipment for SCBA	44
SCBA Test Bench	44
Accessories	45
Calibration Services	45
Software	45

ESCAPE BREATHING APPARATUS

ER5000 ESCAPE BREATHING APPARATUS (EBA)

Part Number	Grainger Part Number	Description
975638	*	5-Minute Escape Breathing Apparatus
975648	45FE94	5-Minute High-Flow Escape Breathing Apparatus
975647	*	10-Minute Escape Breathing Apparatus
942276		EBA Fill Adapter

Case and Pouch for Escape Breathing Apparatus (EBA)

975163	*	EBA-5-Minute Molded Case
964656	*	EBA-5-Minute High Flow / 10-Minute Molded Case
89986	*	EBA 5/10 Wall Bracket
975859	*	Spare 5-min Vinyl pouch
975635	*	Spare 5-min High Flow Vinyl pouch
975906-H5	*	Spare 10-min Vinyl pouch



PRESSURE DEMAND SUPPLIED AIR RESPIRATORS

HIP-PAC®, Pressure Demand Supplied Air Respirators (PD-SAR)

HOW TO ORDER A PD-SAR SYSTEM

1. Select a Basic System Non-Escape, Escape with Kevlar, Nylon, Fall Arrest Harness
2. Select the Breathing Air Hoses
3. Select the Supplied Air Quick-Connect Assemblies. For Communication device options refer to pages 31-41

STEP 1: SELECT A BASIC SYSTEM

All PD-SAR systems listed below include a Twenty/20+™ Medium Full Facepiece.

For PUMA Hood PD-SAR, Classic Facepiece or alternate sizes of Twenty/20+, order Hip-Pac without Facepiece and order hood or desired facepiece separately.

Panther™ Series, Mask-Mounted Regulator, Non-Escape

Part Number	Grainger Part Number	Description
P968446	*	Twenty/20+™ Small Full Facepiece PD-SAR
P968445	22RP30	Twenty/20+™ Medium Full Facepiece PD-SAR
P968447	*	Twenty/20+™ Large Full Facepiece PD-SAR
P968448	*	No Facepiece PD-SAR w/Quick-Disconnect (w/o escape)
P968437	*	Classic Black Medium Full Facepiece (Welding), PD-SAR w/P100 Escape

Panther Hip-Pac® Series, Kevlar, Mask-Mounted Regulator, Emergency Escape

Part Number	Grainger Part Number	Description
5-Minute Escape (2216 psig)		
P968455	52WT13	Panther Hip-Pac, w/5-Min Escape (2216 psig, Aluminum), with Quick-Disconnect
P968457	22RP31	Panther Hip-Pac, w/5-Min Escape (2216 psig, Aluminum), without Quick-Disconnect
P968410	115M47	No Facepiece Hip-Pac, w/5-Min Escape (2216 psig, Aluminum), with Quick-Disconnect
10-Minute Escape (3000 psig)		
P968475	*	Panther Hip-Pac, w/10-Min Escape (3000 psig, Aluminum), with Quick-Disconnect
P968477	4KEL8	Panther Hip-Pac, w/10-Min Escape (3000 psig, Aluminum), without Quick-Disconnect
P968411	*	No Facepiece Hip-Pac, w/10-Min Escape (3000 psig, Aluminum), with Quick-Disconnect
10-Minute Escape (4500 psig)		
P968605	*	Panther Hip-Pac, w/10-Min Escape (4500 psig, Fully Wrapped Carbon), with Quick-Disconnect
P968615	*	Panther Hip-Pac, w/10-Min Escape (4500 psig, Fully Wrapped Carbon), with Quick-Disconnect, w/COMPASS Integrated PASS Device, with Buddy Breather
15-Minute Escape (3000 psig)		
P968500	4KEL9	Panther Hip-Pac, w/15-Min Escape (3000 psig, Hoop-Wrapped Fiberglass), with Quick Disconnect
P968510	*	No Facepiece Hip-Pac, w/15-Min Escape (3000 psig, Hoop-Wrapped Fiberglass), with Quick-Disconnect

* Items available through Grainger Sourcing only.

Panther Hip-Pac® Series, Nylon, Mask-Mounted Regulator, Emergency Escape

Part Number	Grainger Part Number	Description
5-Minute Escape (2216 psig)		
P968412	45VH79	Panther Hip-Pac, w/5-Minute Escape (2216 psig, Aluminum), Medium, without Quick-Disconnect
P968413	45VH80	Panther Hip-Pac, w/5-Minute Escape (2216 psig, Aluminum), No Facepiece, without Quick-Disconnect
10-Minute Escape (3000 psig)		
P968414	*	Panther Hip-Pac, w/10-Minute Escape (2216 psig, Aluminum), Medium, without Quick-Disconnect
P968415	*	Panther Hip-Pac, w/10-Minute Escape (2216 psig, Aluminum), No Facepiece, without Quick-Disconnect

Panther Hip-Pac® Series, Mask-Mounted Regulator, Emergency Escape, with Miller® Class 3 Fall Arrest Harness

Part Number	Grainger Part Number	Description
5-Minute Escape (2216 psig)		
963106	*	Panther Hip-Pac, w/5-Minute Escape (2216 psig, Aluminum), Small/Medium, without Quick-Disconnect
963107	45VH77	Panther Hip-Pac, w/5-Minute Escape (2216 psig, Aluminum), Universal, without Quick Disconnect
963108	*	Panther Hip-Pac, w/5-Minute Escape (2216 psig, Aluminum), XXL, without Quick Disconnect
10-Minute Escape (3000 psig)		
963103	*	Panther Hip-Pac, w/10-Minute Escape (3000 psig, Aluminum), Small/Medium, without Quick Disconnect
963104	45VH78	Panther Hip-Pac, w/10-Minute Escape (3000 psig, Aluminum), Universal, without Quick Disconnect
963105	*	Panther Hip-Pac, w/10-Minute Escape (3000 psig, Aluminum), XXL, without Quick Disconnect
15-Minute Escape (3000 psig)		
963100	*	Panther Hip-Pac, w/15-Minute Escape (3000 psig, Hoop-Wrapped Fiberglass), Small/Medium, without Quick Disconnect
963101	*	Panther Hip-Pac, w/15-Minute Escape (3000 psig, Hoop-Wrapped Fiberglass), Universal, without Quick Disconnect
963102	*	Panther Hip-Pac, w/15-Minute Escape (3000 psig, Hoop-Wrapped Fiberglass), XXL, without Quick Disconnect

Replacement Harness: Panther Hip-Pac® with Miller Class 3 Fall Protection Harness

Part Number	Grainger Part Number	Description
963078	*	Class 3 Hip-Pac Replacement Harness, Small/Medium
969173	*	Class 3 Hip-Pac Replacement Harness, Universal
963079	*	Class 3 Hip-Pac Replacement Harness, XXL/XXXL

ALL SUPPLIED AIR RESPIRATORS MUST BE USED WITH NIOSH CERTIFIED HOSE AND QUICK DISCONNECT ASSEMBLIES. USE OF AIRLINE RESPIRATORS WITHOUT NIOSH-CERTIFIED HOSE AND QUICK DISCONNECT ASSEMBLIES WILL VOID THE NIOSH CERTIFICATION AND MAY RESULT IN SERIOUS PERSONAL INJURY OR DEATH.

STEP 2: SELECT THE BREATHING AIR HOSES

Maximum 3 lengths of hoses in-line. Maximum 300 feet.

Standard 3/8" Hose

Part Number	Grainger Part Number	Description
930801	*	25-ft Hose without Quick Disconnect
930802	*	50-ft Hose without Quick Disconnect
930804	*	100-ft Hose without Quick Disconnect

High Performance 3/8" Hose

Part Number	Grainger Part Number	Description
930870	*	10-ft Hose without Quick Disconnect
930861	*	25-ft Hose without Quick Disconnect
930862	*	50-ft Hose without Quick Disconnect
930864	58RP94	100-ft Hose without Quick Disconnect

High Performance Nitrile Rubber 3/8" Hose

Only the 9649XX, P9684XX and 9685XX series Panther Hip-Pacs are certified with the 50' length Nitrile Hose. All Nitrile Rubber Hoses are certified on the Panther and Cougar SCBAs. The Nitrile hoses can be connected in any configuration to a maximum of 300 feet, using no more than six sections of hose.

Part Number	Grainger Part Number	Description
964958	*	50-ft Black, Nitrile Rubber Hose w/out Couplings
965215	*	100-ft Black, Nitrile Rubber Hose w/out Couplings
965221	*	250-ft Black, Nitrile Rubber Hose w/out Couplings

STEP 3: SELECT THE QUICK DISCONNECT ASSEMBLIES

Order one set for each hose length, and one extra set: male plug for respirator and female for air source.

Part Number	Grainger Part Number	Description
930810	58MM75	Foster Kit (1 each Male & Female)
930424	*	Foster Coupling
930429	58MM74	Foster Plug
930820	*	Schrader Kit (1 each Male & Female)
930437	*	Schrader Coupling
930433	*	Schrader Plug
930830	*	Hansen Kit (1 each Male & Female)
930465	*	Hansen Coupling
930466	*	Hansen Plug
945007	*	Hansen Kit—Stainless Steel (1 each Male & Female)
Z945010	*	Hansen Stainless Steel Coupling
Z945011	*	Hansen Stainless Steel Plug

ALL SUPPLIED AIR RESPIRATORS MUST BE USED WITH NIOSH CERTIFIED HOSE AND QUICK DISCONNECT ASSEMBLIES. USE OF AIRLINE RESPIRATORS WITHOUT NIOSH-CERTIFIED HOSE AND QUICK DISCONNECT ASSEMBLIES WILL VOID THE NIOSH CERTIFICATION AND MAY RESULT IN SERIOUS PERSONAL INJURY OR DEATH.

Upgrade Kits

A 1997-style Panther SCBA can easily be upgraded to PD-SAR using the upgrade kits listed below. These kits require a Panther SCBA facepiece and an existing 961793 Panther second stage regulator or 961000 Sigma second stage regulator. Quick-Disconnect Assemblies and Hoses must also be ordered with the upgrade kits, unless the user already has the appropriate hoses and couplings.

Panther Series, P/D SAR to Hip-Pac® Upgrade Kits

Part Number	Grainger Part Number	Description
P968452	*	Panther 5-Minute SCBA Conversion Kit (Hip-Pac w/out Facepiece and Regulator; w/Q.D.), No Quick Disconnect Assembly
P968472	*	Panther 10-Minute SCBA Conversion Kit (Hip-Pac, Aluminum Cylinder, w/out Facepiece and Regulator; w/Q.D.), No Quick-Disconnect Assembly
P968540	*	Panther 15-Minute SCBA Conversion Kit (Hip-Pac w/out Facepiece and Regulator; w/Q.D.), No Quick-Disconnect Assembly

Conversion Kits

Current Non-Escape PD-SAR systems can be converted to Escape systems easily using the below conversion kits. Conversion must be performed by Honeywell-certified technicians.

Panther Hip-Pac Kit without Cylinder* (also convert XL-Style to Panther Hip-Pac)

Part Number	Grainger Part Number	Description
P968454	*	Panther Hip-Pac w/out Cylinder, w/Q.D., No Quick Disconnect Assembly
P968459	*	Panther Hip-Pac w/out Cylinder, w/out Q.D., No Quick Disconnect Assembly

* Items available through Grainger Sourcing only.

Spare Hip-Pac and EBA Cylinders

Part Number	Grainger Part Number	Description
930222	*	Spare Cylinder (2216 psig, Aluminum), ER5000 5-Minute EBA & Hip-Pac
930221	*	Spare Cylinder (3000 psig, Aluminum), ER5000 10-Minute EBA
930220	*	Spare Cylinder (3000 psig, Aluminum), ER5000 5-Minute High Flow EBA
975154	22RP33	Spare Cylinder (3000 psig, Aluminum), 10-Minute Hip-Pac
917250	*	Spare Cylinder (4500 psig, Fully Wrapped Carbon), 10-Minute Hip-Pac

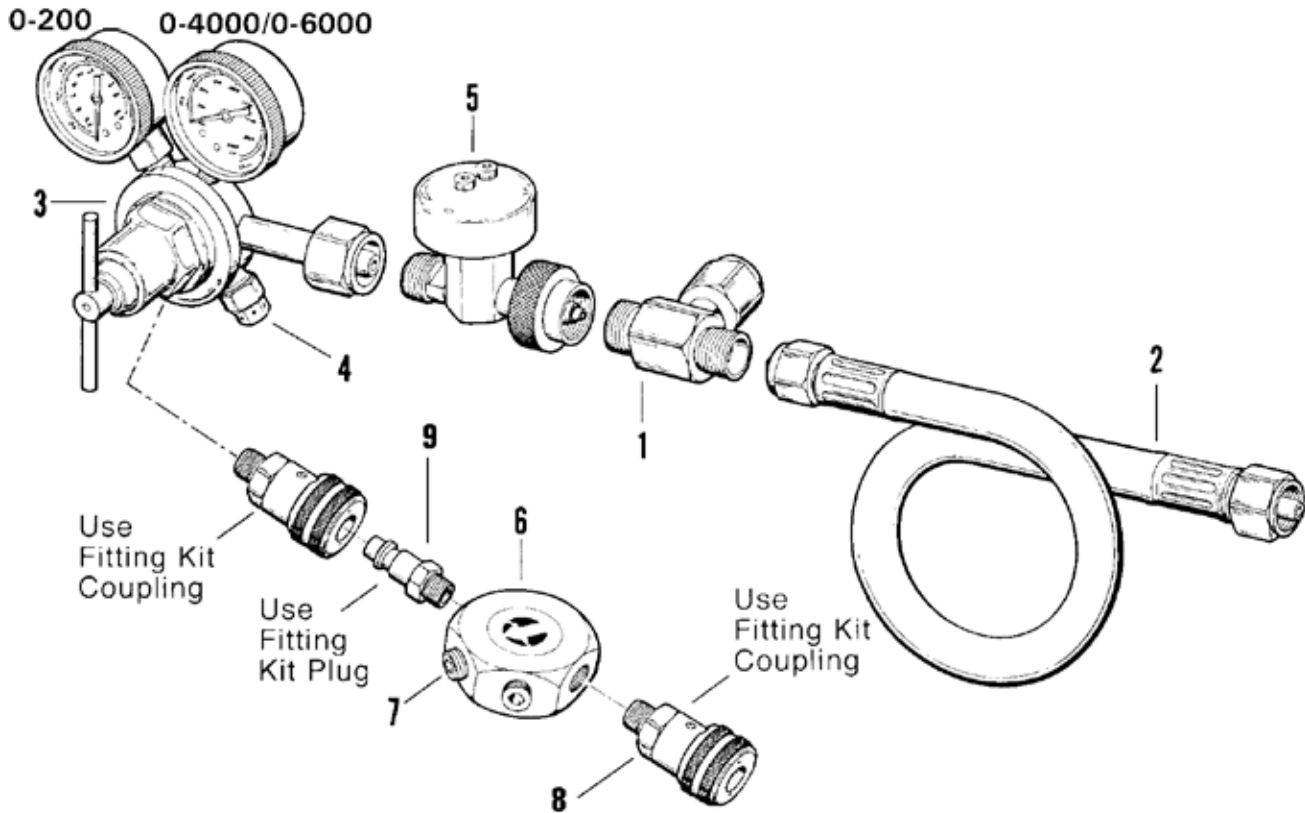
Hip-Pac Cases and Accessories

Part Number	Grainger Part Number	Description
968027	*	Hip-Pac Hard Carrying Case (All Models)
966065	*	Hip-Pac Soft Bag
968486	*	Hip Pac Belt Extender – 12”

AIR CARTS

Air Carts accommodate two 2216 or 4500 PSI cylinders with a maximum 7” (17.8 cm) diameter. Cylinders sold separately.

Part Number	Grainger Part Number	Description
400010H	*	Air Cart with four connections for four workers. Hansen fittings
400010S	415H99	Air Cart with four connections for four workers. Schrader fittings
800015H	*	Rescue Air Cart with eight connections for four firefighters + tools or eight fire fighters. Hansen fittings
800015S	*	Rescue Air Cart with eight connections for four firefighters + tools or eight fire fighters. Schrader fittings



Cascade System Components

	Part Number	Grainger Part Number	Description
1	238010	*	Tee Connection, CGA 346 (3000 psig maximum)
	238009	*	Tee Connection, CGA 347 (5500 psig maximum)
2	731158	*	Hose, CGA 346 to CGA 346 (3000 psig maximum)
	731157	*	Hose, CGA 347 to CGA 347 (5500 psig maximum)
3	912005	*	5-Man Regulator w/out Couplings (3000 psig maximum)
4	960020	*	Relief Valve
5	960603	58MM76	Audible Alarm, CGA 346 LP
	960642	*	Audible Alarm, CGA 347 HP
6	960050	*	Manifold w/Threaded Plugs
7	960056	*	Threaded Plug (Replacement)

SUPPLIED AIR QUICK DISCONNECT ASSEMBLIES

	Part Number	Grainger Part Number	Description
	930810	58MM75	Foster Kit (1 each Male & Female)
8	930424	*	Foster Female Coupling
9	930429	58MM74	Foster Male Plug
	930820	*	Schrader Kit (1 each Male & Female)
	930437	*	Schrader Female Coupling
9	930433	*	Schrader Male Plug
	930830	*	Hansen Kit (1 each Male & Female)
8	930465	*	Hansen Female Coupling
9	930466	*	Hansen Male Plug
	945007	*	Hansen Kit—Stainless Steel (1 each Male & Female)
8	Z945010	*	Hansen Stainless Steel Female Coupling
9	Z945011	*	Hansen Stainless Steel Male Plug

PRE-CONFIGURED INDUSTRIAL SCBA

PRE-CONFIGURED COUGAR AND PUMA SCBA, STOCKED

The SCBAs listed below are pre-configured SCBAs that are in-stock and available for immediate delivery.

Part Number	Grainger Part Number	Description
555555	14H449	Survivair Cougar SCBA
		P964125 Basic SCBA system (backpack & pneumatics), 4500 psig
		45NB Bell alarm, 4500 psig
		917161 Carbon cylinder, 60-minute 4500 psig
		252022 Twenty/20+™ facepiece, medium size with medium nose cup
888888	14H450	Survivair Cougar SCBA
		P964323 Basic SCBA system (backpack & pneumatics), 2216 psig
		22NB Bell alarm, 2216 psig
		915141 Aluminum cylinder, 30-minute 2216 psig
		252022 Twenty/20+™ facepiece, medium size with medium nose cup
777777	14H451	Survivair PUMA SCBA
		P964323 Basic SCBA system (backpack & pneumatics), 2216 psig
		22PW Plain whistle alarm, 2216 psig
		915141 Aluminum cylinder, 30-minute 2216 psig
		968006 Puma hood, medium nose cup

PRE-CONFIGURED COUGAR AND PUMA SCBA, NON- STOCK

The SCBAs below are pre-configured SCBA SKUs but are NOT in-stock and will have full lead-time for shipment

Part Number Grainger Part Number Description

Cougar SCBA

481121	22RP41	P964323	Basic SCBA system (backpack & pneumatics), 2216 psig
		22NB	Bell alarm, 2216 psig
		915141	Aluminum cylinder, 30-minute 2216 psig
		252022	Twenty/20+™ facepiece, medium size with medium nose cup
		983866	Installed carrying case
		X970112	Buddy Breather Over-the-Shoulder, Single fitting, w/SAR Check Valve
		X970113	SAR Attach. Over-the-Shoulder Buddy Breather, Single w/SAR Check Valve
X930466	Plug, Hansen (on SAR Attachment)		

483121	22RP42	P964323	Basic SCBA system (backpack & pneumatics), 2216 psig
		22NB	Bell alarm, 2216 psig
		917132	Carbon cylinder, 30-minute 2216 psig
		252022	Twenty/20+™ facepiece, medium size with medium nose cup
		983866	Installed carrying case
		X970112	Buddy Breather Over-the-Shoulder, Single fitting, w/SAR Check Valve
		X970113	SAR Attach. Over-the-Shoulder Buddy Breather, Single w/SAR Check Valve
X930466	Plug, Hansen (on SAR Attachment)		

486121	*	P964125	Basic SCBA system (backpack & pneumatics), 4500 psig
		45NB	Bell alarm, 4500 psig
		917133	Carbon cylinder, 30-minute 4500 psig
		252022	Twenty/20+™ facepiece, medium size with medium nose cup
		983866	Installed carrying case
		X970112	Buddy Breather Over-the-Shoulder, Single fitting, w/SAR Check Valve
		X970113	SAR Attach. Over-the-Shoulder Buddy Breather, Single w/SAR Check Valve
X930466	Plug, Hansen (on SAR Attachment)		

PUMA SCBA

471281	22RP43	P964323	Basic SCBA system (backpack & pneumatics), 2216 psig
		22PW	Plain whistle alarm, 2216 psig
		915141	Aluminum cylinder, 30-minute 2216 psig
		968006	Puma hood, medium nose cup
		983866	Installed carrying case
		X970112	Buddy Breather Over-the-Shoulder, Single fitting, w/SAR Check Valve
		X970113	SAR Attach. Over-the-Shoulder Buddy Breather, Single w/SAR Check Valve
X930466	Plug, Hansen (on SAR Attachment)		

476281	*	P964125	Basic SCBA system (backpack & pneumatics), 4500 psig
		45PW	Plain whistle alarm, 4500 psig
		917133	Carbon cylinder, 30-minute 4500 psig
		968006	Puma hood, medium nose cup
		983866	Installed carrying case
		X970112	Buddy Breather Over-the-Shoulder, Single fitting, w/SAR Check Valve
		X970113	SAR Attach. Over-the-Shoulder Buddy Breather, Single w/SAR Check Valve
X930466	Plug, Hansen (on SAR Attachment)		

* Items available through Grainger Sourcing only.

PRE-CONFIGURED 1997-STYLE PANTHER, NON-STOCK

The SCBAs below are pre-configured SCBA SKUs but are NOT in-stock and will have full lead-time for shipment

Part Number	Grainger Part Number	Description
491121	22RP44	P964277 Basic SCBA system (backpack & pneumatics), 2216 psig
		22NB Bell alarm, 2216 psig
		915141 Aluminum cylinder, 30-minute 2216 psig
		252022 Twenty/20+™ facepiece, medium size with medium nose cup
		983866 Installed carrying case
		X970112 Buddy Breather Over-the-Shoulder, Single fitting, w/SAR Check Valve
		X970113 SAR Attach. Over-the-Shoulder Buddy Breather, Single w/SAR Check Valve
		X930466 Plug, Hansen (on SAR Attachment)
493121	22RP45	P964277 Basic SCBA system (backpack & pneumatics), 2216 psig
		22NB Bell alarm, 2216 psig
		917132 Carbon cylinder, 30-minute 2216 psig
		252022 Twenty/20+™ facepiece, medium size with medium nose cup
		983866 Installed carrying case
		X970112 Buddy Breather Over-the-Shoulder, Single fitting, w/SAR Check Valve
		X970113 SAR Attach. Over-the-Shoulder Buddy Breather, Single w/SAR Check Valve
		X930466 Plug, Hansen (on SAR Attachment)
499121	*	P964075 Basic SCBA system (backpack & pneumatics), 4500 psig
		45NB Bell alarm, 4500 psig
		917161 Carbon cylinder, 60-minute 4500 psig
		252022 Twenty/20+™ facepiece, medium size with medium nose cup
		983866 Installed carrying case
		X970112 Buddy Breather Over-the-Shoulder, Single fitting, w/SAR Check Valve
		X970113 SAR Attach. Over-the-Shoulder Buddy Breather, Single w/SAR Check Valve
		X930466 Plug, Hansen (on SAR Attachment)

* Items available through Grainger Sourcing only.

CUSTOM CONFIGURED SELF-CONTAINED BREATHING APPARATUS

CONFIGURABLE SELF-CONTAINED BREATHING APPARATUS

How to Order an Industrial non-NFPA Cougar, PUMA or 1997 Style Panther SCBA without Heads-Up Display (HUD), Rapid Intervention Crew (RIC) or Universal Air Coupling (UAC)

Configure your SCBA online at <https://scbaconfig.honeywellsafety.com/#/scba>

1. Choose the SCBA model that meets your application needs: PUMA model for a Hood, and Cougar (Industrial)/Panther (High Abrasion/High Heat) model for Full Face.
2. Select the pressure of the SCBA basic system. Specify a part number for an SCBA WITHOUT CYLINDER, WITHOUT FACEPIECE AND WITHOUT ALARMS from the table in page 13.
3. Select the type of ALARM desired (Bell, Plain Whistle or Warbling Whistle). Specify from the table on page 13 a part number for the alarm to match the pressure of the SCBA basic system selected in step 2 above.
4. If desired, specify the installed SCBA CARRYING CASE from page 13. Also see page 13 to order either a spare soft or hard carrying case.
5. Specify a part number for a CYLINDER to match the pressure of the SCBA system selected in step 2 above. The part number for the cylinder should be selected from the section for INSTALLED cylinder/valve assemblies only. See page 14 for installed cylinder/valve assembly part numbers.
6. If additional spare cylinders are desired, the part number for cylinders should be selected from the section for SPARE cylinder/valve assemblies only. See page 15 for spare cylinder/valve assembly part numbers.
7. Specify a part number for a FACEPIECE. See page 16 for Twenty/20+™ facepiece Size and Head Harness types desired. See page 17 for PUMA hoods.
8. If COMMUNICATION devices are desired, select the part numbers from the list of COMMUNICATION SYSTEMS on pages 17 and 18. When ordering any accessories that are to be installed into the SCBA, please note "INSTALLED" on the order.
9. If HARNESS options are desired, select the part numbers from the list of INSTALLED ACCESSORIES. See page 19 for Installed Accessories part numbers.
10. If a Supplied Airline ATTACHMENT is desired; select the part number from the list of INSTALLED ACCESSORIES on page 19. Specify Single port or Dual port fitting type. Include the appropriate BUDDY BREATHER installed accessory for the SAR Attachment selected. Specify the SAR PLUG based on the type of SAR attachment desired.
11. If a PASS (Personal Alert Safety System) is desired, select the appropriate accessory part number on Page 20, depending on the style of the SCBA. If a HEAT ALARM is also desired, then select the PASS accessory part number ending with an H to specify a COMPASS with ThermAlert™.

1997 Style, Industrial non-NFPA Cougar, PUMA and Panther SCBA

A configured 1997-Style Cougar/PUMA from this page must be ordered with an installed cylinder. Orders for Cougars/PUMAs without installed cylinders will not be accepted. A deviation request must be submitted.

Cougar or PUMA SCBAs with the part numbers P964323, P964724 and P964125, and installed alarm part numbers 22NB, 30NB, 45NB, 22PW, 30PW, 45PW, 22WW, 30WW or 45WW must include an installed cylinder.

SCBA Without Cylinders, Without Facepieces and Without Alarms

INSTALLED ALARMS

Model	Description	Part Number 2216 psig	Part Number 4500 psig
Panther/Cougar	1997-Style First Stage w/Bell	22NB	45NB
Panther/Cougar/PUMA	1997-Style First Stage w/Plain Whistle	22PW	45PW
Panther/Cougar/PUMA	1997-Style First Stage w/Warbling Whistle	22WW	45WW

INSTALLED CARRYING CASE

Part Number	Description
983866	Hard Carrying Case

SPARE CARRYING CASES

Part Number	Grainger Part Number	Description
983867-H5	45VH85	Hard Carrying Case, Spare not Installed.
966060	*	Soft Carrying Case

Installed Cylinder Valve Assemblies Cougar, PUMA and Panther SCBA

- Part numbers listed in this section are for installed cylinder & valve assemblies only. See page 15 for ordering information on spare cylinder & valve assemblies.
- Cylinders without safety collar to lock handwheel are indicated in *underlined italics*
- For carbon cylinders with Flames design add prefix 'F'. Lead time is 8 to 10 weeks for Flames design cylinders.
- Additional 25% fee per cylinder when manufacture date is requested to be less than 90 days from cylinder ship date. 50% restocking fee for returned cylinders.

Part Number	Grainger Part Number	Description
2216 PSIG – 30 MINUTE		
ALUMINUM		
<u>915141</u>	*	<u>30-minute 2216 psig (all aluminum), without locking handwheel</u>
917420	*	30-minute 2216 psig (all aluminum), with locking handwheel
FULLY WRAPPED CARBON		
<u>917132</u>	*	<u>30-minute 2216 psig (fully wrapped carbon), without locking handwheel</u>
917422	*	30-minute 2216 psig (fully wrapped carbon), with locking handwheel
4500 PSIG – 30 MINUTE		
FULLY WRAPPED CARBON		
<u>917133</u>	*	<u>30-minute 4500 psig (fully wrapped carbon), without locking handwheel</u>
917424	*	30-minute 4500 psig (fully wrapped carbon), with locking handwheel
4500 PSIG – 45 MINUTE		
FULLY WRAPPED CARBON		
<u>917146</u>	*	<u>45-minute 4500 psig (fully wrapped carbon), without locking handwheel</u>
917426	*	45-minute 4500 psig (fully wrapped carbon), with locking handwheel
FULLY WRAPPED CARBON – “SHORTER & WIDER”		
<u>917253</u>	*	<u>45-minute 4500 psig (fully wrapped carbon), “shorter and wider,” without locking handwheel</u>
917436	*	45-minute 4500 psig (fully wrapped carbon), “shorter and wider,” with locking handwheel
4500 PSIG – 60 MINUTE		
FULLY WRAPPED CARBON		
<u>917161</u>	*	<u>60-minute 4500 psig (fully wrapped carbon), without locking handwheel</u>
917428	*	60-minute 4500 psig (fully wrapped carbon), with locking handwheel

Spare Cylinder Valve Assemblies Cougar, PUMA and Panther SCBA

- Part numbers listed in this section are for spare cylinder & valve assemblies only. See page 14 for ordering information on installed cylinder & valve assemblies
- Cylinders without locking collar indicated in underlined italics.
- For carbon cylinders with Flames design add prefix 'F'. Lead time is 8 to 10 weeks for Flames design cylinders.
- Additional 25% fee per cylinder when manufacture date is requested to be less than 90 days from cylinder ship date.
- 50% restocking fee for returned cylinders.

Part Number	Grainger Part Number	Description
2216 PSIG – 30 MINUTE		
ALUMINUM		
<u>915140</u>	<u>16N402</u>	<u>30-minute 2216 psig (all aluminum), without locking handwheel</u>
917421	*	30-minute 2216 psig (all aluminum), with locking handwheel
FULLY WRAPPED CARBON		
<u>917130</u>	<u>22RP47</u>	<u>30-minute 2216 psig (fully wrapped carbon), without locking handwheel</u>
917423	*	30-minute 2216 psig (fully wrapped carbon), with locking handwheel
4500 PSIG – 30 MINUTE		
FULLY WRAPPED CARBON		
<u>917131</u>	*	<u>30-minute 4500 psig (fully wrapped carbon), without locking handwheel</u>
917425	*	30-minute 4500 psig (fully wrapped carbon), with locking handwheel
4500 PSIG – 45 MINUTE		
FULLY WRAPPED CARBON		
<u>917145</u>	*	<u>45-minute 4500 psig (fully wrapped carbon), without locking handwheel</u>
917427	*	45-minute 4500 psig (fully wrapped carbon), with locking handwheel
FULLY WRAPPED CARBON – “SHORTER & WIDER”		
<u>917252-H5</u>	*	<u>45-minute 4500 psig (fully wrapped carbon). “shorter and wider.” without locking handwheel</u>
917437	*	45-minute 4500 psig (fully wrapped carbon), “shorter and wider,” with locking handwheel
4500 PSIG – 60 MINUTE		
FULLY WRAPPED CARBON		
<u>917160</u>	*	<u>60-minute 4500 psig (fully wrapped carbon), without locking handwheel</u>
917429	*	60-minute 4500 psig (fully wrapped carbon), with locking handwheel

FACEPIECES AND HOODS COUGAR, PUMA AND PANTHER SCBA

Twenty/20+™ and Classic Facepieces: 1997 & 2002 Style (non-CBRN) Panther SCBA

- The most commonly ordered facepieces are indicated in underlined italics
- To convert a facepiece to different size Nose Cup; order the appropriate desired nose cup size and nose cup color from the Nose Cup Kit selection listed on page 17.
- To convert a facepiece with 5-point strap Silicone straps to Headnet version; order the appropriate Headnet kit on page 17.

Part Number	Grainger Part Number	SCBA Model	Facepiece	Head Harness	Skirt Size	Nose Cup Size
Twenty/20+ Plus Blue						
252038	*	Panther™, Cougar™	Twenty/20+	Strap	Small	Small
<u>252010</u>	*	<u>Panther, Cougar</u>	<u>Twenty/20+</u>	<u>Strap</u>	<u>Small</u>	<u>Medium</u>
252020	*	Panther, Cougar	Twenty/20+	Strap	Medium	Medium
<u>252014</u>	*	<u>Panther, Cougar</u>	<u>Twenty/20+</u>	<u>Headnet</u>	<u>Small</u>	<u>Medium</u>
Twenty/20+ Plus Black						
252053	*	Panther, Cougar	Twenty/20+	Strap	Small	Small
252012	*	Panther, Cougar	Twenty/20+	Strap	Small	Medium
<u>252022</u>	*	<u>Panther, Cougar</u>	<u>Twenty/20+</u>	<u>Strap</u>	<u>Medium</u>	<u>Medium</u>
252032	*	Panther, Cougar	Twenty/20+	Strap	Large	Medium
252033	*	Panther, Cougar	Twenty/20+	Strap	Large	Large
252016	*	Panther, Cougar	Twenty/20+	Headnet	Small	Medium
<u>252026</u>	*	<u>Panther, Cougar</u>	<u>Twenty/20+</u>	<u>Headnet</u>	<u>Medium</u>	<u>Medium</u>
252036	*	Panther, Cougar	Twenty/20+	Headnet	Large	Medium
Twenty/20+ Plus Gray						
<u>252030</u>	*	<u>Panther, Cougar</u>	<u>Twenty/20+</u>	<u>Strap</u>	<u>Large</u>	<u>Medium</u>
<u>252034</u>	*	<u>Panther, Cougar</u>	<u>Twenty/20+</u>	<u>Headnet</u>	<u>Large</u>	<u>Medium</u>
Classic Facepiece Black						
968417	*	Panther, Cougar	Classic	Strap	Small	Standard
968416	*	Panther, Cougar	Classic	Strap	Standard	Standard

HEADNET KITS

Part Number	Grainger Part Number	Description
969019	*	Headnet Kit—TwentyTwenty™ and Twenty/20+™ Facepieces
961710	*	Headnet Kit—Classic Facepiece

NOSE CUP KITS

- Includes the nose cup, valve holder and inhalation valve.
- See instructions on page 33 when ordering Communications with a new facepiece.

Part Number	Grainger Part Number	Description
702064	*	Black Nose Cup Kit, Size Small
702065	*	Black Nose Cup Kit, Size Medium
702066	*	Black Nose Cup Kit, Size Large

PUMA HOODS – 1997 STYLE SCBA

- The most commonly ordered facepieces are indicated in *underlined italics*

Part Number	Grainger Part Number	SCBA Model	Facepiece Series	Head Harness	Skirt Size	Color	Nose Cup Size
968005	*	PUMA	PUMA Hood	N/A	N/A	Red	Small
<u>968006</u>	*	<u>PUMA</u>	<u>PUMA Hood</u>	<u>N/A</u>	<u>N/A</u>	<u>Red</u>	<u>Medium</u>
968007	*	PUMA	PUMA Hood	N/A	N/A	Red	Large

INSTALLED ACCESSORIES FOR FACEPIECES

Part Number	Grainger Part Number	Description
X962869	*	Neck Strap, Twenty/20+ Facepiece

COMMUNICATION SYSTEMS

Hard-Wired Communication Systems

- Radio Interface Cables for Hard-Wired Communications Systems sold separately. See pages 35 to 39 for selection.

Part Number	Grainger Part Number	Description
Communication Device – Facepiece Installed Accessories		
X964332	Grainger Part Number	SmallTalk Plus, Twenty/20+ New Style (Thumbscrew)
X964331	*	Radio Communication System, Twenty/20+, New Style (Thumbscrew)
X964333	*	Radio Communication System w/SmallTalk Plus (Combo), Twenty/20+, New Style (Thumbscrew)

Communication Facepiece Kit

Includes microphone and nozzle cover for SmallTalk-readiness—does not include SmallTalk Voice Amp Module

X964334	*	Facepiece Modification Kit—SmallTalk Plus, Twenty/20+ New Style (Thumbscrew)
---------	---	--

WIRELESS COMMUNICATION SYSTEMS

- Lapel Mics for Wireless Communications Systems sold separately. See pages 34 and 35 for selection.

Part Number	Grainger Part Number	Description
Communication Device – Facepiece Installed Accessories		
X242136	*	CommCommand™ Voice Amplification System, installed (VAS), Twenty/20+
X242135	*	CommCommand™ Wireless Radio Communication System (RCS), Twenty/20+, installed (does not include required lapel mic; see below for lapel mic part number and price)
X242137	*	CommCommand™ RCS and VAS (Combo), Twenty/20+, installed (does not include required lapel mic; see below for lapel mic part number and price)
Communication Facepiece Kit		
Includes microphone and nozzle cover for VAS-readiness—does not include Voice Amp Module		
X242138	*	CommCommand™ Facepiece Modification Kit, Twenty/20+, installed (VAS without Amplifier Module)

FACEPIECE ACCESSORIES

Part Number	Grainger Part Number	Description
Facepiece Temple Insert Kits – Twenty/20+ Facepiece		
962134	*	Facepiece Temple Insert Kit, Small, Silicone, Non-CBRN
962135	*	Facepiece Temple Insert Kit, Medium, Silicone, Non-CBRN
962137	*	Facepiece Temple Insert Kit, Large, Silicone, Non-CBRN
962102		Replacement Inserts
Facepiece Spectacle Kits – Twenty/20+ Facepiece		
980003	*	Spectacles Kit, Wire Frame, for Classic Facepiece
962260	*	Spectacles Kit, for Twenty/20+™ Facepiece
964054	*	Spectacles Kit, NexSpex, for Classic Facepiece
964044	*	Spectacles Kit, NexSpex, for Twenty/20+™ Facepiece

ACCESSORIES

COUGAR, PUMA AND PANTHER SCBA

INSTALLED ACCESSORIES

Custom Configured Cougar, PUMA and 1997-Style Panther SCBA

Part Number	Grainger Part Number	Description
-------------	----------------------	-------------

HARNESS OPTIONS

X968670	*	Chest Strap for MightyLight® Backpack
X964869L	*	Utility D-ring, Left
X964869R	*	Utility D-ring, Right

SAR ATTACHMENT WITH BUDDY BREATHER OPTIONS

Single Port SAR Fitting

X970113	SAR Attachment for Over-the-Shoulder Buddy Breather (Single Fitting) w/Check Valve (requires installed P/N X970112)
X970112	Buddy Breather, Over-the-Shoulder (Single Fitting), w/SAR Check Valve

Dual Port SAR Fitting

X965122	SAR Attachment for Over-the-Shoulder Buddy Breather (Dual Fitting) w/Check Valve (requires installed P/N X965119)
X965119	Buddy Breather, Over-the-Shoulder (Dual Fitting), w/SAR Check Valve

SAR Plugs

X930429	Plug, Foster (on SAR Attachment)
X930466	Plug, Hansen (on SAR Attachment)
X945011	Plug, Hansen Stainless Steel (on SAR Attachment)
X930433	Plug, Schrader (on SAR Attachment)

BUDDY BREATHER OPTIONS

X970110	Buddy Breather, Over-the-Shoulder (Single Fitting) – only for 1997-Style SCBAs
X965110	Buddy Breather, Over-the-Shoulder (Dual Fitting)
X969124	Buddy Breather Pouch, Left Hip Wing (for Dual SAR fitting version)

PASS DEVICE OPTIONS

For Standard Type (non HUD) 1997 Style SCBA only

X962600	COMPASS Integrated PASS Device
X962600H	COMPASS Integrated PASS Device with ThermAlert™ Heat Alarm
DoublePASS™ (Additional PASS on Back Side of the SCBA)	
X962700	DoublePASS™ (requires COMPASS option appropriate to the SCBA style)
PATHFINDER LOCATING SYSTEM OPTIONS	
X962001	Pathfinder Locating System (Front and Back Beacons) with Activated DoublePASS (requires PASS option)

MISCELLANEOUS SCBA ACCESSORIES FOR COUGAR, PUMA AND PANTHER SCBA

Part Number	Grainger Part Number	Description
968085	*	Anti-Snag Bracket Kit
962900	*	APR Adapter/Qualitative Fit Test Adapter (no Nose Cup included)—TwentyTwenty™ and Twenty/20+™ Facepieces
960150	*	Canister Fit Test Adapter Twenty/20+™ Facepieces
961148	*	Buddy Breather Kit (on IP Hose) for 1997-style Panthers w/out COMPASS
961470	*	Buddy Breather Kit for Cougars w/out COMPASS
965110	*	Buddy Breather Kit, Over-the-Shoulder (Dual Fitting)
965119	*	Buddy Breather Kit, Over-the-Shoulder (Dual Fitting), w/SAR Check Valve
960097	*	Buddy Breather 3' Hose Extension for single fitting buddy breathers
969124	*	Buddy Breather Pouch for 965110/965119 Buddy Breather Kit
968670	*	Chest Strap Kit
968617	*	Chest Strap Shoulder Strap Attachment Only (w/Ring, w/out Chest Strap)
961710	*	Headnet Kit—Classic Facepiece
969019	*	Headnet Kit—TwentyTwenty™ and Twenty/20+™ Facepieces
968054	*	Hood Bag (for PUMA™ hood)
969090	*	Parachute Waist Belt Buckle Kit
962920	*	Quantitative Fit Test Adapter for Twenty/Twenty and Twenty/20+ Facepieces. Requires 962900
965122	*	SAR Attachment Kit for Over-the-Shoulder Buddy Breather w/SAR Check Valve Requires 965119

Part Number	Grainger Part Number	Description
980003	*	Spectacles Kit, Wire Frame, for Classic Facepiece
962260	*	Spectacles Kit, for Twenty/20+™ Facepiece
964054	*	Spectacles Kit, NexSpex, for Classic Facepiece
964044	*	Spectacles Kit, NexSpex, for Twenty/20+™ Facepiece
961800	*	Supplied Air Attachment Kit for SCBAs w/out COMPASS™ (Requires 961148)
964869	*	Utility D-ring Kit
960006	*	Waist Belt Extender for Automotive-Style Seat Belt Buckle (12")

COMPASS INTEGRATED PASS KITS FOR COUGAR, PUMA AND PANTHER SCBA

Part Number	Grainger Part Number	Description
962600	*	COMPASS Kit (for Cougar/Puma or 1997-style Panther)
962620	*	COMPASS Kit w/Buddy Breather (for Cougar/Puma or 1997-style Panther)
962621	*	COMPASS Kit w/Buddy Breather and SAR Attachment (for Cougar/Puma or 1997-style Panther)
962820	*	COMPASS Buddy Breather Kit (for Cougar/Puma or 1997-style Panther)
962664	*	COMPASS Hex Driver Kit
962700	*	DoublePASS™ Kit

TITAN™ SELF-CONTAINED BREATHING APPARATUS

Two easy ways to order the Honeywell TITAN SCBA

Semi-Configured

- Select from the most popular back frame assemblies, facepieces, communication systems and cylinders

Custom configured

- Customize the TITAN from the many available options and accessories.

SEMI-CONFIGURED TITAN SCBA

How to Order Semi-Configured TITAN

- | | | |
|---|---|----------------------|
| 1 | Select the Pressure, Alarm and PASS Options | Refer to Chart Below |
| 2 | Select the CBRN Facepiece | Pages 25 and 26 |
| 3 | Select the Communication System | Pages 26 |
| 4 | Select the Installed and Spare Cylinders | Page 27 and 28 |
| 5 | Select the Carrying Case options | Page 29 |

STEP 1: Select the Pressure, Alarm and PASS Options

995041 and 995047 includes the mounting bracket for escape belt only. Installed escape belts must be ordered separately. See page 30 for escape belt Part Numbers.

Part Number	Grainger Part Number	Description	Buddy Breather	Quick-Release Pouch	Utility D-Ring Right	Utility D-Ring Left	Sliding D-Ring Right	Sliding D-Ring Left
2216 PSIG, Low Pressure TITAN SCBA								
995037	*	2013 TITAN SCBA, Warbling Whistle, No PASS (22TW1300)	✓	✓	✓	✓	✓	✓
995038	*	2013 TITAN SCBA, Bell Alarm, With PASS (22TB1301)	✓	✓	✓	✓	✓	✓
995039	*	2013 TITAN SCBA, Warbling Whistle, With PASS (22TW1301)	✓	✓	✓	✓	✓	✓
995040	*	2013 TITAN SCBA, Warbling Whistle, With PASS (22TW1301)						
995041	*	2013 TITAN SCBA, with Escape Belt Option, Warbling Whistle, With PASS. Does not include Escape Belt. (22TW1311)	✓	✓			✓	✓
4500 PSIG, High Pressure TITAN SCBA								
995042	*	2013 TITAN SCBA, Warbling Whistle, No PASS (45TW1300)	✓	✓	✓	✓	✓	✓
995043	*	2013 TITAN SCBA, Bell Alarm, With PASS (45TB1301)	✓	✓	✓	✓	✓	✓
995044	*	2013 TITAN SCBA, Warbling Whistle, With PASS (45TW1301)	✓	✓	✓	✓	✓	✓
995045	*	2013 TITAN SCBA, Warbling Whistle, With PASS (45TW1301)						
995050	*	2013 TITAN SCBA, Warbling Whistle, With PASS, with Pathfinder (45TW1302)	✓	✓	✓	✓	✓	✓
995047	*	2013 TITAN SCBA with Escape Belt Option, Warbling Whistle, With PASS, Does not include Escaper Belt (45TW1311)	✓	✓			✓	✓

* Items available through Grainger Sourcing only.

How to Order a Custom Configured TITAN

- Configure your SCBA online at <http://scbaconfig.honeywellsafety.com/#/scba>; or
 - Follow the steps below
1. Specify a part number for a Honeywell TITAN SCBA without Cylinder and Facepiece follow the steps below to select the basic unit from the matrix. Refer to the chart on the next page.
 - a) Select whether or not you want a Personal Alert Safety System (PASS), Pathfinder™ firefighter locating system, or both.
 - 1) No PASS or Pathfinder
 - 2) PASS only
 - 3) PASS and Pathfinder
 - b) Select the required pressure
 - 1) 2216 PSIG
 - 2) 4500 PSIG
 - c) Select the audible low air alarm
 - 1) Warbling whistle
 - 2) Bell
 - d) Select the appropriate part number from the matrix that reflects all the above choices.
 - e) Select standard parachute release buckles or optional Alligator release buckles. There is no additional charge for the Alligator buckles. To select the Alligator buckles, add the letter “A” to the beginning of the part number, e.g., A45TB1301.
 - f) TITAN comes standard with an intermediate pressure hose quick-disconnect. You have the option to remove this standard intermediate pressure hose quick-disconnect and add a one-piece continuous intermediate pressure hose. There is a savings for this option. To select the one-piece continuous intermediate pressure hose, add the letter “N” to the beginning of the part number, e.g., N45TB1301.
 - g) To Select both Alligator release buckles and a one-piece continuous intermediate pressure hose, add letters “NA” to the beginning of the part number, e.g., NA45TB1301.
 2. Select the Facepiece. See pages 25 and 26.
 3. Select the Communication System. Installed communication systems are listed on page 26. Lapel mics are listed on pages 31 and 32.
 - 1) No Communication System
 - 2) CommCommand™ Wireless Radio Communication System (RCS)
 - 3) CommCommand Voice Amplification System (VAS)
 - 4) Both RCS and VAS
 4. Select the installed and spare cylinders. See page 27 for installed and page 28 for spare cylinder and valve assemblies.
 5. Select a carrying case if desired. See page 29 for installed carrying cases.
 6. Select any installed options. See page 29 for installed options and accessories.
 7. Select any non-installed options. These are additional components you might require in addition to those installed as part of the SCBA. See pages 30 and 31 for non-installed options and accessories.

CUSTOM CONFIGURED TITAN SCBA

STEP 1: SELECT THE PRESSURE, ALARM AND PASS OPTIONS

Part Number	Grainger Part Number	Description
-------------	----------------------	-------------

Low Pressure (2216 psig) TITAN

22TB1300	*	2013 TITAN SCBA, Bell Alarm, No PASS
22TW1300	*	2013 TITAN SCBA, Warbling Whistle Alarm, No PASS
22TB1301	*	2013 TITAN SCBA, Bell Alarm, With PASS
22TW1301	*	2013 TITAN SCBA, Warbling Whistle Alarm, With PASS
22TB1302	*	2013 TITAN SCBA, Bell Alarm, With PASS, With Pathfinder
22TW1302		2013 TITAN SCBA, Warbling Whistle Alarm, With PASS, With Pathfinder

High Pressure (4500 psig) TITAN

45TB1300	*	2013 TITAN SCBA, Bell Alarm, No PASS
45TW1300	*	2013 TITAN SCBA, Warbling Whistle Alarm, No PASS
45TB1301	*	2013 TITAN SCBA, Bell Alarm, With PASS
45TW1301	*	2013 TITAN SCBA, Warbling Whistle Alarm, With PASS
45TB1302	*	2013 TITAN SCBA, Bell Alarm, With PASS, With Pathfinder
45TW1302		2013 TITAN SCBA, Warbling Whistle Alarm, With PASS, With Pathfinder

Low Pressure (2216 psig) TITAN with modified hip plate for Integrated Escape Belt. Escape Belt sold separately.
See Page 30 for list of escape belts.

22TB1310	*	2013 TITAN SCBA, Bell Alarm, No PASS.
22TW1310	*	2013 TITAN SCBA, Warbling Whistle Alarm, No PASS
22TB1311	*	2013 TITAN SCBA, Bell Alarm, With PASS
22TW1311	*	2013 TITAN SCBA, Warbling Whistle Alarm, With PASS
22TB1312	*	2013 TITAN SCBA, Bell Alarm, With PASS, With Pathfinder
22TW1312		2013 TITAN SCBA, Warbling Whistle Alarm, With PASS, With Pathfinder

High Pressure (4500 psig) TITAN with modified hip plate for Integrated Escape Belt. Escape Belt sold separately.
See Page 30 for list of escape belts.

45TB1310	*	2013 TITAN SCBA, Bell Alarm, No PASS
45TW1310	*	2013 TITAN SCBA, Warbling Whistle Alarm, No PASS
45TB1311	*	2013 TITAN SCBA, Bell Alarm, With PASS
45TW1311	*	2013 TITAN SCBA, Warbling Whistle Alarm, With PASS
45TB1312	*	2013 TITAN SCBA, Bell Alarm, With PASS, With Pathfinder
45TW1312	*	2013 TITAN SCBA, Warbling Whistle Alarm, With PASS, With Pathfinder

INSTALLED COMPONENTS AND OPTIONS FOR TITAN SCBA

Complete Step 1 before selecting the installed components and any options

- a) For semi-configured TITAN SCBA refer to page 22
- b) For custom configured TITAN SCBA refer to page 23

STEP 2: SELECT THE FACEPIECE

- Complete this step for both semi-configured and custom configured TITAN SCBA
- Select a facepiece to be installed with the SCBA. Order two facepieces if a spare facepiece is desired
- Facepieces available with the semi-configured TITAN SCBA are underlined in italics, and are the most popular sizes. Facepieces not underlined in italics are only available with custom configured TITAN SCBA.
- Facepieces with Temple Insets are listed on Page 26. Facepieces with Temple inserts not available with Semi-Configure red TITAN SCBA.

Part Number	Grainger Part Number	Facepiece Size	Nose Cup Size
CBRN Facepiece for TITAN SCBA, with 5 Point Strap, No Temple Inserts			
<u>282053</u>	*	<u>Small</u>	<u>Small</u>
<u>282012</u>	*	<u>Small</u>	<u>Medium</u>
282013	*	Small	Large
<u>282041</u>	*	<u>Medium</u>	<u>Small</u>
<u>282022</u>	*	<u>Medium</u>	<u>Medium</u>
282023	*	Medium	Large
282043	*	Large	Small
<u>282032</u>	*	<u>Large</u>	<u>Medium</u>
282033	*	Large	Large
CBRN Facepiece for TITAN SCBA, with Kevlar Headnet, No Temple Inserts			
282048	*	Small	Small
<u>282016</u>	*	<u>Small</u>	<u>Medium</u>
282017	*	Small	Large
282050	*	Medium	Small
<u>282026</u>	*	<u>Medium</u>	<u>Medium</u>
282027	*	Medium	Large
282052	*	Large	Small
<u>282036</u>	*	<u>Large</u>	<u>Medium</u>
282037	*	Large	Large

Part Number	Grainger Part Number	Facepiece Size	Nose Cup Size
CBRN Facepiece for TITAN SCBA, with 5 Point Strap. Includes Temple Inserts. Only available with custom configured TITAN SCBA			
282053T	*	Small	Small
282012T	*	Small	Medium
282013T	*	Small	Large
282041T	*	Medium	Small
282022T	*	Medium	Medium
282023T	*	Medium	Large
282043T	*	Large	Small
282032T	*	Large	Medium
282033T	*	Large	Large

CBRN Facepiece for TITAN SCBA, with Kevlar Headnet. Includes Temple Inserts. Only available with custom configured TITAN SCBA

282048T	*	Small	Small
282016T	*	Small	Medium
282017T	*	Small	Large
282050T	*	Medium	Small
282026T	*	Medium	Medium
282027T	*	Medium	Large
282052T	*	Large	Small
282036T	*	Large	Medium
282037T	*	Large	Large

STEP 3: SELECT THE INSTALLED COMMUNICATION SYSTEM

- Complete this step for both semi-configured and custom configured TITAN SCBA
- Go to Step 4 if no CommCommand communication system is desired.
- Refer to pages 31 to 32 for non-installed communication accessories

Part Number	Grainger Part Number	Description
X252135	*	CommCommand™ Wireless Radio Communication System (RCS) Kit. Required Lapel Mic ordered separately. Refer to pages 31 and 32 for list of Lapel Mics.
X252136	*	CommCommand Voice Amplification System Kit (VAS)
X252137	*	CommCommand RCS and VAS Combination Kit. Required Lapel Mic ordered separately. Refer to pages 31 and 32 for list of Lapel Mics.
X252138	*	CommCommand Facepiece Modification Kit (VAS without Amplifier Module)

STEP 4a: SELECT THE INSTALLED CYLINDER

- Complete this step for both semi-configured and custom configured TITAN SCBA.
- Extended Life cylinders are designed for up to 30 years of service life with 5 year requalification periods beginning at year 15 through year 25.
- Add suffix 'F' for Flames design, and suffix 'M' for Maltese Cross design.
- Cylinders with custom logo are available. Lead time and additional charges apply.
- Additional 25% fee per cylinder when manufacture date is requested to be less than 90 days from cylinder ship date.
- 50% restocking fee for returned cylinders.
- Refer to page 28 for list of spare cylinders.

Part Number	Grainger Part Number	Description
-------------	----------------------	-------------

Installed Cylinders with Non-Locking Handwheel

915141	*	30-minute 2216 psig (all aluminum)
917132	*	30-minute 2216 psig (fully wrapped carbon)
917531	*	30-minute 4500 psig (fully wrapped carbon) -- Lightweight
917651	*	30-minute 4500 psig (fully wrapped carbon) -- Extended Life, 30-year
917546	*	45-minute 4500 psig (fully wrapped carbon) -- Lightweight
917670	*	45-minute 4500 psig (fully wrapped carbon) -- Extended Life, 30-year
917561	*	60-minute 4500 psig (fully wrapped carbon) -- Lightweight
917690		60-minute 4500 psig (fully wrapped carbon) -- Extended Life, 30-year

Installed Cylinders with Locking Collar on Handwheel

917420	*	30-minute 2216 psig (all aluminum)
917422	*	30-minute 2216 psig (fully wrapped carbon)
917533	*	30-minute 4500 psig (fully wrapped carbon) -- Lightweight
917653	*	30-minute 4500 psig (fully wrapped carbon) -- Extended Life, 30-year
917548	*	45-minute 4500 psig (fully wrapped carbon) -- Lightweight
917672	*	45-minute 4500 psig (fully wrapped carbon) -- Extended Life, 30-year
917583	*	60-minute 4500 psig (fully wrapped carbon) -- Lightweight
917692	*	60-minute 4500 psig (fully wrapped carbon) -- Extended Life, 30-year Not Approved for use with the TITAN SCBA with Escape Belt

STEP 4b: SELECT THE SPARE CYLINDER AND VALVE ASSEMBLIES

- Extended Life cylinders are designed for up to 30 years of service life with 5 year requalification periods beginning at year 15 through year 25.
- Add suffix 'F' for Flames design, and suffix 'M' for Maltese Cross design.
- Cylinders with custom logo are available. Lead time and additional charges apply.
- Additional 25% fee per cylinder when manufacture date is requested to be less than 90 days from cylinder ship date.
- 50% restocking fee for returned cylinders.
- Refer to page 27 for list of installed cylinders.

Part Number	Grainger Part Number	Description
-------------	----------------------	-------------

Spare Cylinders with Non-Locking Handwheel

915140	*	30-minute 2216 psig (all aluminum)
917130	*	30-minute 2216 psig (fully wrapped carbon)
917530	*	30-minute 4500 psig (fully wrapped carbon) -- Lightweight
917654	*	30-minute 4500 psig (fully wrapped carbon) -- Extended Life, 30-year
917545	*	45-minute 4500 psig (fully wrapped carbon) -- Lightweight
917673	*	45-minute 4500 psig (fully wrapped carbon) -- Extended Life, 30-year
917560	*	60-minute 4500 psig (fully wrapped carbon) -- Lightweight
917693		60-minute 4500 psig (fully wrapped carbon) -- Extended Life, 30-year

Spare Cylinders with Locking Collar for Handwheel

917421	*	30-minute 2216 psig (all aluminum)
917423	*	30-minute 2216 psig (fully wrapped carbon)
917532	*	30-minute 4500 psig (fully wrapped carbon) -- Lightweight
917655	*	30-minute 4500 psig (fully wrapped carbon) -- Extended Life, 30-year
917547	*	45-minute 4500 psig (fully wrapped carbon) -- Lightweight
917674	*	45-minute 4500 psig (fully wrapped carbon) -- Extended Life, 30-year
917562	*	60-minute 4500 psig (fully wrapped carbon) -- Lightweight
917694	*	60-minute 4500 psig (fully wrapped carbon) -- Extended Life, 30-year Not Approved for use with the TITAN SCBA with Escape Belt

STEP 5: SELECT THE INSTALLED CARRYING CASE

- Complete this optional step for both semi-configured and custom configured TITAN SCBA
- Refer to Page 30 for list of spare carrying cases

Part Number	Grainger Part Number	Description
983866	*	Hard Carrying Case
966060	*	Soft Carrying Case

STEP 6: SELECT THE INSTALLED OPTIONS

- Only available with custom configured TITAN SCBA
- Refer to pages 26 (installed) and 31 (non-installed) for CommCommand Communication Systems

Part Number	Grainger Part Number	Description
X921208	*	Buddy Breather Kit, Over-the-Shoulder (Dual Fitting), w/SAR Check Valve
X966857	*	Buddy Breather Quick Release Pouch (requires installed P/N X921208, sold separately)
X930194	*	Transfill Hose and Pouch
X966846	*	Life Grip™ Escape Belt -- Size 38 (Fits waist sizes – 29-40)
X966847	*	Life Grip™ Escape Belt -- Size 46 (Fits waist sizes – 37-48)
X966848	*	Life Grip™ Escape Belt -- Size 52 (Fits waist sizes – 43-54)
X966849	*	Life Grip™ Escape Belt -- Size 60 (Fits waist sizes – 51-62)
X966851	*	Ladder Belt -- Tether & Carabineer (Requires Life Grip™ Escape Belt, sold separately)
X975470	*	Chest Strap
X962869	*	Neck Strap
X930429	*	Plug, Foster (on SAR Attachment)
X930466	*	Plug, Hansen (on SAR Attachment)
X945011	*	Plug, Hansen Stainless Steel (on SAR Attachment)
X930433	*	Plug, Schrader (on SAR Attachment)
X975595	*	SAR Attachment for Over-the-Shoulder Buddy Breather w/Check Valve (requires installed P/N X921208)
X975465R	*	Utility D-Ring, Right
X975465L	*	Utility D-Ring, Left
X975575R	*	Utility D-Ring, Large, Right
X975575L	*	Utility D-Ring, Large, Left
X966858R	*	Sliding D-Ring, Right
X966858L	*	Sliding D-Ring, Left

NON-INSTALLED OPTIONS FOR TITAN SCBA

- Available with semi-configured and custom configured TITAN SCBA
- Refer to pages 31 and 32 for non-installed CommCommand Communications and Lapel Mics

Part Number	Grainger Part Number	Description
921208	*	Buddy Breather Kit, Over-the-Shoulder (Dual fitting)
975759	*	Buddy Breather Adapter Kit (for Competitor Compatibility). Requires 921208, sold separately.
975630	*	Buddy Breather Strap Kit
966857	*	Buddy Breather Quick Release Pouch, Pouch Only (reqs installed P/N X921208)
930194	*	Transfill Hose and Pouch
965070	*	Transfill Hose
961098	*	Transfill Pouch
966846	*	Life Grip™ Escape Belt -- Size 38 (Fits waist sizes 29-40)
966847	*	Life Grip™ Escape Belt -- Size 46 (Fits waist sizes 37-48)
966848	*	Life Grip™ Escape Belt -- Size 52 (Fits waist sizes 43-54)
966849	*	Life Grip™ Escape Belt -- Size 60 (Fits waist sizes 51-62)
966851	*	Ladder Belt -- Tether & Carabineer (Requires Life Grip™ Escape Belt)
966843	*	Carabineer for Ladder Belt (Requires Life Grip™ Escape Belt)
966844	*	Tether for Ladder Belt (Requires Life Grip™ Escape Belt)
966840	*	Replacement Retainer Bar for the Escape Belt
975470	*	Chest Strap Kit
962869	*	Neck Strap Kit
975595	*	SAR Attachment Kit for Over-the-Shoulder Buddy Breather w/Check Valve (requires installed P/N X921208)
975535	*	TITAN Waist Extension Belt
975465	*	Utility D-Ring Kit, Left or Right
975575	*	Utility D-Ring Kit, Large, Left or Right
966858	*	Sliding D-Ring, Left or Right
983867-H5	45VH85	Hard Carrying Case, Spare not Installed.
966060	*	Soft Carrying Case

NON-INSTALLED COMMUNICATIONS FOR TITAN SCBA

- Available with semi-configured and custom configured TITAN SCBA
- Refer to page 26 for listing of installed CommCommand.

Part Number	Grainger Part Number	Description
252135	*	CommCommand™ Wireless Radio Communication System (RCS) Kit. Required Lapel Mic ordered separately. Lapel Mics listed below
252136	*	CommCommand Voice Amplification System Kit (VAS)
252137	*	CommCommand RCS and VAS Combination Kit. Required Lapel Mic ordered separately. Lapel Mics listed below
252138	*	CommCommand Facepiece Modification Kit (VAS without Amplifier Module)
972775	*	CommCommand RCS Module Only
965228	*	CommCommand Voice Amp Only
970025	*	Remote Push-to-Talk (RPTT) Kit for Lapel Mic

LAPEL MICS FOR TITAN SCBA

- Available with semi-configured and custom configured TITAN SCBA
- CommCommand RCS required
- Suffix 'E' indicates the lapel mic includes an emergency button.
- Contact Honeywell Customer Care for lead times

Part Number	Grainger Part Number	Brand	Radio Type	Radio Model
970759	*	Bendix King		LPI Series, LPV Series, LPU Series, LPX Series, LPH Series, MPH Series, EPI Series, EPV Series, EPU Series, EPH Series, GPH....X Series, GPH....XP Series, DPHX Series, DPHX5102X
970749	*	ICOM		IC-F30GS, IC-F30GT, IC-F40GS, IC-F40GT, IC-F60, IC-F50, IC-F70DT, IC-F70T, IC-F70DS, IC-F70S, IC-F80DT, IC-F80T, IC-F80DS, IC-F80S, IC-M88
970755	*	ICOM		IC-F11, IC-F11S, IC-F14, IC-F14S, IC-F21, IC-F21S, IC-F24, IC-F24S, IC-F3, IC-F3S, IC-F4, IC-F4S, IC-F3GS, IC-F3GT, IC-F4GS, IC-F4GT
970773	*	MA-Com	Jaguar	Jaguar 700P, Jaguar 700Pi, P7,100IP, P7130IP, P7150IP, P7170IP
970773E	*	MA-Com	Jaguar	Jaguar 700P, Jaguar 700Pi, P7,100IP, P7130IP, P7150IP, P7170IP
970786	*	MA-Com	Ericsson	M-RK, LPE-200, PRISM, LPE-50, PK1ZGT
970786E	*	MA-Com	Ericsson	M-RK, LPE-200, PRISM, LPE-50, PK1ZGT
970795	*	Kenwood	TK Series	TK190, TK280, TK290, TK290K, TK380, TK390, TK480, TK481, TK2140, TK2180, TK3140, TK3180, TK5210, TK5310, TK5400
970795E	*	Kenwood	TK Series	TK190, TK280, TK290, TK290K, TK380, TK390, TK480, TK481, TK2140, TK2180, TK3140, TK3180, TK5210, TK5310, TK5400

LAPEL MICs, Continued

- Available with semi-configured and custom configured TITAN SCBA
- CommCommand RCS required
- Suffix 'E' indicates the lapel mic includes an emergency button.
- Some Motorola models are either hard wired or include a quick disconnect. They are distinguished below with a "HW" (Hard Wired) or "QD" (Quick Disconnect). These systems are not interchangeable. Be sure you are ordering the correct lapel mic for your communication system.
- Contact Honeywell Customer Care for lead times

Part Number	Grainger Part Number	Brand	Radio Type	Radio Model
970706	*	Kenwood		TK-250, TK-260G, TK-270G, TK-272G, TK-350, TK-360G, TK-370G, TK-372G, TK-373G, TK-2100, TK-2100V1, TK-2102, TK-2160, TK-2170, TK-2200, TK-2202, TK-2212, TK-2302V16P, TK-3100, TK-3101K2, TK-3102, TK-3130, TK-3131, TK-3160, TK-3170, TK-3173, TK-3200, TK-320
970789	*	Motorola	Jedi Series	HT1000, GP900, Astro XTS1500, Astro XTS2500, Astro XTS3000, Astro XTS3500, Astro XTS5000, MT2000, MTX-LS, MTX838, MTX8000, MTX9000, MT1500, PR1500, JT1000, MTS2000, 5000, 5100, MTX2000, PTX1200, PTX3600, , XTS2500, XTS3000, XTS3500, XTS5000
970789E	*	Motorola	Jedi Series	HT1000, GP900, Astro XTS1500, Astro XTS2500, Astro XTS3000, Astro XTS3500, Astro XTS5000, MT2000, MTX-LS, MTX838, MTX8000, MTX9000, MT1500, PR1500, JT1000, MTS2000, 5000, 5100, MTX2000, PTX1200, PTX3600
970771	*	Motorola	Radius Series	GP300, CT450, CT450-LS, CT250, CT150, P110, P1225, P1225-LS, PR400 SP50, SP50+ LTS2000, CP200, CP150, GTX LTR Portable, GTX Privacy Plus Portable, CP125, HT750 (QD), HT1250 (QD), HT1250LS (QD), HT1250LS+ (QD), HT1550XLS (QD) MTX850 (QD), MTX850LS (QD), MT
970705	*	Motorola		EX500, EX6600, EX600XLS
970731	*	Motorola		APX 2000, APX 4000, APX 7000, XPR-6550, XPR-6500, XPR-6350, XPR-6300, XPR6380, XPR 6580 DGP4150, DGP4150+, DGP6150, DGP6150+, DP3400, DP3401, DP3600, DP4400/DP4401, DP4600/DP4601, DP4800, DP4801
970791	*	Motorola	Saber Series	Analog or Astro Digital Saber Model 1 or 1R (HW), Analog or Astro Digital Saber Model 2 or 2R (HW), Analog or Astro Digital Saber Model 3 or 3R (HW)
970774	*	Motorola	Saber Series	Analog or Astro Digital Saber Model 1 or 1R (QD), Analog or Astro Digital Saber Model 2 or 2R (QD), Analog or Astro Digital Saber Model 3 or 3R (QD)
970799	*	Motorola		GP350
970794	*	Motorola		HT750 (HW), HT1250 (HW), HT1250LS (HW), HT1250LS+ (HW), HT1550XLS (HW), MTX850 (HW), MTX850LS (HW), MTX950 (HW), MTX9250LS (HW), MTX8250 (HW), MTX8250LS (HW), PR860 (HW), 1550 (HW), 1550LS (HW), GP338, GP340, GP360, GP380, GP640, GP680, GP1280, GP328, MTP
970728	*	Vertex		VX-160, VX-180, VX-210, VX-350, VX-351, VX-354
970733	*	Vertex		VX-800

COMMUNICATION PRODUCTS

PD-SAR AND SCBA

Ordering a Wireless or Hardwired Communication System Installed on SCBA or PD-SAR

When ordering communications (Voice Amplification System [VAS], hardwired or CommCommand with an SCBA:

- Installed on Facepiece with an SCBA or PD-SAR
 - Select the SCBA or PD-SAR configuration and facepiece
 - Select the desired installed communication option with an 'X' prefix to have the communication option installed to the facepiece at the factory.
- Installed on Facepiece without an SCBA or PD-SAR
 - Select the facepiece
 - Select the desired communication modification kit without an 'X' prefix.
 - Indicate on the purchase order "INSTALL AT THE FACTORY"

Note: Communication facepiece modification kits must be installed in the factory or if installed in the field by a factory certified technician.

CommCommand Wireless Communication

- CommCommand™ wireless and hardwired communication products are not interchangeable.
- CommCommand wireless communication products are certified for use on the 2013 TITAN, 1997 and 2002 style Panther, and Cougar SCBAs. Not for use on PUMA hoods.
- Refer to "Ordering a Wireless or Hardwired Communication System" above when ordering a communication system installed on a new facepiece.

Part Number	Grainger Part Number	Description
-------------	----------------------	-------------

CommCommand Installed on Twenty/20+ facepiece. Facepiece ordered separately.

X252135	*	CommCommand™ Wireless Radio Communication System (RCS) Kit. Required Lapel Mic ordered separately. Refer to pages 34 and 35 for list of Lapel Mics.
X252136	*	CommCommand Voice Amplification System Kit (VAS)
X252137	*	CommCommand RCS and VAS Combination Kit. Required Lapel Mic ordered separately. Refer to pages 34 and 35 for list of Lapel Mics.
X252138		CommCommand Facepiece Modification Kit (VAS without Amplifier Module)

CommCommand not Installed on Facepiece

252135	*	CommCommand™ Wireless Radio Communication System (RCS) Kit. Required Lapel Mic ordered separately. Refer to pages 34 and 35 for list of Lapel Mics
252136	*	CommCommand Voice Amplification System Kit (VAS)
252137	*	CommCommand RCS and VAS Combination Kit. Required Lapel Mic ordered separately. Refer to pages 34 and 35 for list of Lapel Mics
252138	*	CommCommand Facepiece Modification Kit (VAS without Amplifier Module)
972775	*	CommCommand RCS Module Only
965228	*	CommCommand Voice Amp Only
970025	*	Remote Push-to-Talk (RPTT) Kit for Lapel Mic

Lapel Mics for CommCommand Wireless Communication

- CommCommand RCS required.
- Suffix 'E' indicates the lapel mic includes an emergency button.
- Contact Honeywell Customer Care for lead times.
- Some Motorola models are hard wired or include a quick disconnect. They are distinguished below with a "HW" (Hard Wired) or "QD" (Quick Disconnect). These systems are not interchangeable. Be sure you are ordering the correct lapel mic for your communication system.

Part Number	Grainger Part Number	Brand	Radio Type	Radio Model
970759	*	Bendix King		LPI Series, LPV Series, LPU Series, LPX Series, LPH Series, MPH Series, EPI Series, EPV Series, EPU Series, EPH Series, GPH...X Series, GPH...XP Series, DPHX Series, DPHX5102X
970749	*	ICOM		IC-F30GS, IC-F30GT, IC-F40GS, IC-F40GT, IC-F60, IC-F50, IC-F70DT, IC-F70T, IC-F70DS, IC-F70S, IC-F80DT, IC-F80T, IC-F80DS, IC-F80S, IC-M88
970755	*	ICOM		IC-F11, IC-F11S, IC-F14, IC-F14S, IC-F21, IC-F21S, IC-F24, IC-F24S, IC-F3, IC-F3S, IC-F4, IC-F4S, IC-F3GS, IC-F3GT, IC-F4GS, IC-F4GT
970773	*	MA-Com	Jaguar	Jaguar 700P, Jaguar 700Pi, P7,100IP, P7130IP, P7150IP, P7170IP
970773E	*	MA-Com	Jaguar	Jaguar 700P, Jaguar 700Pi, P7,100IP, P7130IP, P7150IP, P7170IP
970786	*	MA-Com	Ericsson	M-RK, LPE-200, PRISM, LPE-50, PK1ZGT
970786E	*	MA-Com	Ericsson	M-RK, LPE-200, PRISM, LPE-50, PK1ZGT
970795	*	Kenwood	TK Series	TK190, TK280, TK290, TK290K, TK380, TK390, TK480, TK481, TK2140, TK2180, TK3140, TK3180, TK5210, TK5310, TK5400
970795E	*	Kenwood	TK Series	TK190, TK280, TK290, TK290K, TK380, TK390, TK480, TK481, TK2140, TK2180, TK3140, TK3180, TK5210, TK5310, TK5400
970706	*	Kenwood		TK-250, TK-260G, TK-270G, TK-272G, TK-350, TK-360G, TK-370G, TK-372G, TK-373G, TK-2100, TK-2100V1, TK-2102, TK-2160, TK-2170, TK-2200, TK-2202, TK-2212, TK-2302V16P, TK-3100, TK-3101K2, TK-3102, TK-3130, TK-3131, TK-3160, TK-3170, TK-3173, TK-3200, TK-320
970789	*	Motorola	Jedi Series	HT1000, GP900, Astro XTS1500, Astro XTS2500, Astro XTS3000, Astro XTS3500, Astro XTS5000, MT2000, MTX-LS, MTX838, MTX8000, MTX9000, MT1500, PR1500, JT1000, MTS2000, 5000, 5100, MTX2000, PTX1200, PTX3600, , XTS2500, XTS3000, XTS3500, XTS5000
970789E	*	Motorola	Jedi Series	HT1000, GP900, Astro XTS1500, Astro XTS2500, Astro XTS3000, Astro XTS3500, Astro XTS5000, MT2000, MTX-LS, MTX838, MTX8000, MTX9000, MT1500, PR1500, JT1000, MTS2000, 5000, 5100, MTX2000, PTX1200, PTX3600
970771	*	Motorola	Radius Series	GP300, CT450, CT450-LS, CT250, CT150, P110, P1225, P1225-LS, PR400 SP50, SP50+ LTS2000, CP200, CP150, GTX LTR Portable, GTX Privacy Plus Portable, CP125, HT750 (QD), HT1250 (QD), HT1250LS (QD), HT1250LS+ (QD), HT1550XLS (QD) MTX850 (QD), MTX850LS (QD), MT
970705	*	Motorola		EX500, EX6600, EX600XLS

Lapel Mics for CommCommand Wireless Communication, continued

- CommCommand RCS required.
- Suffix 'E' indicates the lapel mic includes an emergency button.
- Contact Honeywell Customer Care for lead times.
- Some Motorola models are hard wired or include a quick disconnect. They are distinguished below with a "HW" (Hard Wired) or "QD" (Quick Disconnect). These systems are not interchangeable. Be sure you are ordering the correct lapel mic for your communication system.

Part Number	Grainger Part Number	Brand	Radio Type	Radio Model
970731	*	Motorola		APX 2000, APX 4000, APX 7000, XPR-6550, XPR-6500, XPR-6350, XPR-6300, XPR6380, XPR 6580 DGP4150, DGP4150+, DGP6150, DGP6150+, DP3400, DP3401, DP3600, DP4400/DP4401, DP4600/DP4601, DP4800, DP4801
970791	*	Motorola	Saber Series	Analog or Astro Digital Saber Model 1 or 1R (HW), Analog or Astro Digital Saber Model 2 or 2R (HW), Analog or Astro Digital Saber Model 3 or 3R (HW)
970774	*	Motorola	Saber Series	Analog or Astro Digital Saber Model 1 or 1R (QD), Analog or Astro Digital Saber Model 2 or 2R (QD), Analog or Astro Digital Saber Model 3 or 3R (QD)
970799	*	Motorola		GP350
970794	*	Motorola		HT750 (HW), HT1250 (HW), HT1250LS (HW), HT1250LS+ (HW), HT1550XLS (HW), MTX850 (HW), MTX850LS (HW), MTX950 (HW), MTX9250LS (HW), MTX8250 (HW), MTX8250LS (HW), PR860 (HW), 1550 (HW), 1550LS (HW), GP338, GP340, GP360, GP380, GP640, GP680, GP1280, GP328, MTP
970728	*	Vertex		VX-160, VX-180, VX-210, VX-350, VX-351, VX-354
970733	*	Vertex		VX-800

Hardwired Communication Systems

- Hardwired and CommCommand™ wireless communication products are not interchangeable.
- Hardwired communication products are certified for use on the 1997 and 2002 style Panther, and Cougar SCBAs, and Panther PD-SAR and Hip-Pac PD-SAR. *Not for use on PUMA hoods.*
- Refer to "Ordering a Wireless or Hardwired Communication System" on page 33 when ordering a communication system installed on a new facepiece.

Part Number	Grainger Part Number	Description
Hardwired Communication System for Classic Facepiece		
961608	*	SmallTalk™ Kit
A961638		SmallTalk Voice Amplifier Module Only
Hardwired Communication System for Twenty/20+ non-CBRN Facepiece (thumbscrew) Installed with Cougar and Panther SCBA, Panther PD-SAR and Hip-Pac PD-SAR		
X964331	*	Radio Communication System, Twenty/20+, New Style (Thumbscrew)—Installed
X964333	*	Radio Communication System w/SmallTalk Plus (Combo), Twenty/20+, New Style (Thumbscrew)—Installed
X964332	*	SmallTalk Plus, New Style (Thumbscrew)—Installed

Hardwired Communication Systems, continued

Part Number Grainger Part Number Description

Hardwired Communication System for Twenty/20+ non-CBRN Facepiece (thumbscrew) Communication Kits for Cougar and Panther SCBA, Panther PD-SAR and Hip-Pac PD-SAR

964334	*	SmallTalk Plus Facepiece Modification Kit (SmallTalk Plus w/out Voice Amplifier Module)—Add-on
964331	*	Twenty/20+™ Radio Communication System (RCS) Kit—Add-on
964332	*	SmallTalk Plus—Add-on
964333	*	Combination Twenty/20+™ RCS and SmallTalk Plus Kit—Add-on
969083	*	Remote Push-to-Talk (RPTT) Kit (black button)—Add-on
963111	*	SmallTalk Plus Voice Amplifier Module Only—Add-on
962308	*	Radio Interface Cable w/Double Female Nexus (for Modified Radios or Speaker Mics)—Add-on

Hardwired Communication System for Twenty/20+ CBRN Facepiece (thumbscrew) Communication Kits for Cougar and Panther SCBA, Panther PD-SAR and Hip-Pac PD-SAR

242131	*	TwentyTwenty Plus Radio Communication System (RCS) Kit
242132	*	SmallTalk Plus
242161	*	TwentyTwenty Plus Radio Communication System (RCS) Kit- New Style
242133	*	Combination TwentyTwenty Plus RCS and SmallTalk Plus Kit
964165	*	Remote Push-to-Talk (RPTT) Kit
242130	*	SmallTalk Plus Facepiece Modification Kit (SmallTalkPlus w/out Voice Amplifier Module)
963026	*	SmallTalk Plus Voice Amplifier Module Only

Radio Interface Cables for Hardwired Communication Systems

- Some Part Numbers may be duplicated to facilitate locating the Radio Model
- For the 25XX series Facepieces

Classic Facepiece	Twenty/20+Facepiece	RADIO MODEL
	970476	EF Johnson LX242-24XX and 58XX Series
	970484	EF Johnson LX242-85XX Series
	970489	EF Johnson 5000/5100 Series
	970457	Icom F3/3S/4/4S/4TR/10/20, H6, IC-H2/A2/H16/4008/4088A, J12, M5, U12/16
	970441	Icom IC-F30GS, IC-F30GT, IC-F31GS, IC-F31GT, IC-F40GS, IC-F40GT, IC-F60, IC-F50, IC-F70DT, IC-F70T, IC-F70DS, IC-F70S, IC-F80DT, IC-F80T, IC-F80DS, IC-F80S, IC-M87, IC-M88, ICF3161, ICF4161
	970416	Icom F50/51/60/61
	970442	Icom IC-F11, IC-F11S, IC-F14, IC-F21, IC-F21S, IC-F33GS, IC-F33GT, IC-F43GS, IC-F43GT, IC-F43TR

Radio Interface Cables for Hardwired Communication Systems, Continued

- Some Part Numbers may be duplicated to facilitate locating the Radio Model
- For the 25XX series Facepieces

Classic Facepiece	Twenty/20+ Facepiece	RADIO MODEL
	970470	Icom IC-H19
	970465	Kenwood TK200/210/300/310
	970482	Kenwood TK208/308, 220/320, 240/340, 240D/340D, 248/348, 250/350/353, 260/270, 260G/3260G, 270G/370G, 272G/372G, 360/370, 430/431, 2100/3100/2102/3102 ProTalk, 3101 FreeTalk XL, 3130 ProTalk XLS, 3131 FreeTalk XLS, TK3160, TK3170, TK 2302, TK3302, TK302UK, TK2302VK
	970469	Kenwood TK230/330
	970495	Kenwood TK190, 280/290, 380/390, 480/481, 2140/2180, 3140/3180, 5210/5400, NX200/300, NX210, NX200/320, NX410, NX700/800, NX900, NXR700/800, TK5220, TK5320
	970459	King/Relm/BK Radio DPH, EPU, EPH, EPV, EPI, GPH, LPH, LPU, LPX, LPV
	970434	King/Relm/BK Radio MPV-08, MPV-016, MPV-32, WHS-150
	970418	King/Relm/BK Radio KNG P150, KNG P400, KNG P500, KNG P800
	970438	M/A-COM/Ericsson/G.E. Jaguar 700P, P5100/5130/5150/7100/7130/7150/7170
	970487	M/A-COM/Ericsson/G.E. KPC, KPC300, Panther 500P
	970462	M/A-COM/Ericsson/G.E. MPA/MPD/MTL
	970467	M/A-COM/Ericsson/G.E. MPI/PLS
	970456	M/A-COM/Ericsson/G.E. MPR, MPX, MPS
	970486	M/A-COM/Ericsson/G.E. MRK
	970455	M/A-COM/Ericsson/G.E. PE
	970468	M/A-COM/Ericsson/G.E. PCS
	970496	M/A-COM/Ericsson/G.E. Prism, LPE
	970457	Maxon CP/CS 5XX Series
	970437	Maxon PL1145/2215P/2245P/2415/2445/5161/5164, SL100, SP200/210
	970429	Maxon SP120/130/140
	970478	Maxon SP-2550/2850, SL70W Series, EP-4800, Monogram, TP4800/4801
	970476	Midland 70-043/143
	970488	Motorola Astro (Digital Saber)

Radio Interface Cables for Hardwired Communication Systems, Continued

- Some Part Numbers may be duplicated to facilitate locating the Radio Model
- For the 25XX and 968XX series Facepieces

Classic Facepiece	Twenty/20+ Facepiece	RADIO MODEL
	970440	Motorola EX500/600, GL200, GP344/388, EX6600, EX600XLSEX500, EX560XLS, EX600, EX600XLS, GL2000, GP328Plus, GP3298Plus, GP3339Plus, GP338Plus, GP338XLS, Pro5150 Elite, Pro7150 Elite, PTX700 Plus, PTX760 Plus
	970443	Motorola R-750
	970463	Motorola Expo, Radius P50, Spirit 3, HT10
	970499 *	Motorola GP350
960471	970471	Motorola GP68/88/300/308, P110, SP50, P1225/1225LS, LTS2000, GTX, CT150/250/450/450LS, Pro 2150/3150, MTH500, P040/080, CP88/100/150/200, P2000, CP280
960494	970494	Motorola GP140/320/328/338/340/360/380/640/680/1280, HT750/1250/1250LS/1550/1550XLS, MTP700, MTX850/850LS/900 (post-2004)/950/960/8250/8250LS/9250, PR860, PRO5150/7150/9150
970489	960489 (all except MTS2000) 960479 (MTS2000 only)	Motorola HT1000, GP900, Astro XTS1500, Astro XTS2500, Astro XTS3000, Astro XTS3500, Astro XTS5000, MT2000, MTX-LS, MTX838, MTX8000, MTX9000, MT1500, PR1500, JT1000, MTS2000/5000/5100, MTX2000, PTX1200, PTX3600, , XTS2500, XTS3000, XTS3500, XTS5000
970464		Motorola HT220/820
970453		Motorola HT50/90/440; Radius P100
970473		Motorola HT600, MT1000, MTX800/820/900 (pre-2004), MTX Classic, Radius P200/P500 (w/quick-disconnect)
970451		Motorola MT500
970452		Motorola MX300 Series
970460		Motorola APX 7000, XPR-6550, XPR-6500, XPR-6350, XPR-6300, XPR6580, XPR7000, XPR7350, XPT7550, DGP4150, DGP4150+, DGP6150, DGP6150+, XPR6380, APX6000, APX7000XE
970493		Motorola Saber (800 MHz Encrypted)
970491		Motorola Saber (800 MHz)
970492		Motorola Saber (Encrypted)
970474		Motorola Saber, Saber 2, Saber 3, Saber R
970497		Motorola Spirit Pro
970430		Motorola Spirit MU21CV, CLS1110/1410, CP100, GTI, PMR446, PR400, SP10, SP21, XTN446/500/600, XU1100/2600, XV2100
970454		Motorola STX, MX800
970490		Motorola SU220
970485		Motorola Visar

Radio Interface Cables for Hardwired Communication Systems, Continued

- Some Part Numbers may be duplicated to facilitate locating the Radio Model
- For the 968XX series Facepieces

Classic Facepiece	Twenty/20+ Facepiece	RADIO MODEL
970498		Motorola/Nextel i370XL, i390, i500, i500PLUS, i550, i600, i700, i700PLUS, i1000, i1000PLUS, i2000
970447		Relm Wireless BK/KNG 499 A Plus, 599A Plus, RPU416A, RP4200, RPV516A
970433		Ritron Patriot Series SST/RTX, JOBCOM JMX/MBX
970435		SmartComm SCV08/32, SCU08/32
970472		Standard HX340
970483		Standard HX400
970439		Tait Orca Elan/Excel/Eclipse
970417		Tait 5010, 5011, 5020, 5021, 5030, 5035, 5040
970446		Tait P9100, TP9155, TP9160
970458-H5		Uniden AP/FP Series
970466		Uniden SH/SP Series
970457		Vertex/Yaesu FTH2005/2009/7005
970480		Vertex/Yaesu FTH2070
970428		Vertex/Yaesu VX-10, FT10, FT50, VX-300, VXF-1
970433		Vertex/Yaesu VX-131/150/160/180/210/210A/210IS/400/410/420
970435		Vertex/Yaesu VX-600/800/900

ACCESSORIES, REPAIR & MAINTENANCE

PD-SAR and SCBA

ACCESSORIES, PD-SAR

Part Number	Grainger Part Number	Description
980200	*	Suit Pass-Through Kit

SMOKE SIM™ FACEPIECE INSERT

Part Number	Grainger Part Number	Description
981239	*	Smoke Sim, Light, TwentyTwenty™/TwentyTwenty™ Plus Facepiece (10 each)
981244	*	Smoke Sim, Medium, TwentyTwenty™/Twenty/20+™ Facepiece (10 each)
981254	*	Smoke Sim, Dark, TwentyTwenty™/Twenty/20+™ Facepiece (10 each)

SALVAGE MASTER

Part Number	Grainger Part Number	Description
970200	*	Salvage Master (Squeegee Adapter included)
970052	*	Carpet Adapter
970033	*	Squeegee Adapter

PATHFINDER™ FIREFIGHTING LOCATING SYSTEM

Part Number	Grainger Part Number	Description
962999	*	Pathfinder Tracker™ Kit for use with TITAN SCBA equipped with Tracker Beacons. Includes one Tracker gun, one 9 volt battery, one #2 Philips screwdriver and carrying case with protective foam.
930179	*	Pathfinder Upgrade Kit for TITAN SCBA. Includes two tracker beacons. Requires 962999 Tracker kit with gun.
962000	*	Pathfinder Upgrade Kit for 2002 Panther (Front and Back Beacons) without Activated DoublePASS™
962001	*	Pathfinder Upgrade Kit for 2002 Panther (Front and Back Beacons) with Activated DoublePASS
964219	*	Pathfinder Tracker. Replacement Tracker for 962999. Does not include case
963000	*	Exit Beacon Kit
963001	*	Auxiliary Beacon Kit

RAPID INTERVENTION TEAM (RIT) KITS

Part Number	Grainger Part Number	Description
968950	*	UAC Rapid Intervention Kit, black, (includes bag, pneumatics, and flashlight, no cylinder), for 2002-style Panther only; includes 10-ft intermediate pressure hose with male fitting w/shutoff, and 10-ft high pressure hose for RIC UAC fitting. Does not include cylinder.
978905	*	UAC Rapid Intervention Kit, red, (includes bag, pneumatics, and flashlight, no cylinder), for 2002-style Panther only; includes 10-ft intermediate pressure hose with male fitting w/shutoff, and 10-ft high pressure hose for RIC UAC fitting. Does not include cylinder.
968970	*	RIT Kit, black, for 1997, 2002, 2007 and 2013 SCBAs with UAC connection includes bag, pneumatics, flashlight, 10-ft intermediate-pressure hose with male fitting w/ shutoff and older-style female and double male adapter, plus 10-ft high-pressure hose for RIC UAC fitting. Does not include cylinder.
978906	*	RIT Kit, red, for 1997, 2002, 2007 and 2013 SCBAs with UAC connection includes bag, pneumatics, flashlight, 10-ft intermediate-pressure hose with male fitting w/shutoff and older-style female and double male adapter, plus 10-ft high-pressure hose for RIC UAC fitting. Does not include cylinder.
964611	*	RIT Bag only (no pneumatics or flashlight), for 1997-style Panther only
968956	*	RIT bag, black, for 2002, 2007 and 2013 SCBAs only (no pneumatics or flashlight).
964643	*	RIT bag, red, for 2002, 2007 and 2013 SCBAs only (no pneumatics or flashlight).
964619	*	Tool Pouch (tools not included)
964618	*	Spare Flashlight
961793	*	Second stage regulator with bypass knob
960050	*	Five port manifold to add additional couplers
965113	*	Male coupler for buddy breather
965112	*	Female coupler for buddy breather
975759	*	Female coupler to support Competitive SCBA Buddy Breather
965132	*	Male dust cap
960694	*	Female dust cap

MISCELLANEOUS ACCESSORIES

Part Number	Grainger Part Number	Description
Anti-Fog and Refresher Wipes		
7003-H5	4T555	North Respiratory Refresher wipes - contains alcohol - 100 / box
7003A	23PF96	Respirator Refresher Wipe Pads, alcohol free. 5" x 7" towelettes. (100/BX)
981808	*	Anti-Fog Wipe (dry), 100 ea.
951016	*	Anti-Fog Solution (16 oz.)

Lens Covers

B140095	3PRL7	Lens Cover (25 each)—Classic Facepiece
702019-H5	3WUX9	Lens Cover, Tinted (25 each)—Twenty/20+™ Facepiece
702028-H5	*	Lens Cover, Clear (25 each)—Twenty/20+™ Facepiece

Facepiece Accessories

940172	*	Neck Strap—Classic Facepiece
962869	*	Neck Strap Kit—Twenty/20+™ Facepiece
941899	*	Probed Full Facepiece Lens Kit—Classic Facepiece
962262	*	Probed Full Facepiece Lens Kit—Twenty/20+™ Facepiece
940118	*	Zipper Facepiece Bag

Training Videos

Cougar PUMA and Panther SCBA training videos will be available at <https://www.youtube.com/user/HoneywellSafety>

TITAN Training Videos are available online at: <http://www.honeywellsafety.com/TitanSCBA/Videos>

REPAIR AND MAINTENANCE

Part Number	Grainger Part Number	Description
961647	*	Panther/Cougar/Commando First Stage Regulator Overhaul Kit, Forged Body, No First Stage Audible Alarm
962072	*	Panther/Cougar First Stage Regulator Overhaul Kit, Forged Body, Warbling Whistle Alarm
962073	*	Panther/Cougar First Stage Regulator Overhaul Kit, Forged Body, Plain Whistle Alarm
962074	*	Panther/Cougar First Stage Regulator Overhaul Kit, Forged Body, Panther Bell Alarm
961572	*	Panther/Cougar/Commando Second Stage Regulator Overhaul Kit
961573	*	Panther/Cougar Chest-Mounted Whistle Alarm Overhaul Kit
961574	*	Panther/Cougar Classic Facepiece Overhaul Kit
961653	*	Panther/Cougar TwentyTwenty Facepiece Overhaul Kit
962047	*	Panther/Cougar Twenty/20+™ Facepiece Overhaul Kit
961575	*	Panther/Cougar Regulator Receiver Overhaul Kit (for regulator receivers that employ a check valve and an o-ring)

FIT TEST KITS AND ADAPTERS

Part Number	Grainger Part Number	Description
Cartridges and Filters for Use with Fit Test Kits and Adapters		
105005-H5	*	S-Series, P100 Micro Filter
Fit Test Adapters		
420025	3PRC5	Quantitative Fit Test Adapter for FS-Series Full facepiece and Half Masks
962900	3WYV1	Qualitative Fit Test Adapter for Twenty/Twenty and Twenty/20+ Facepieces
962911	*	Qualitative Fit Test Adapter for Twenty/Twenty and Twenty/20+ Facepieces. Includes slotted medium nose cup
962913	*	Qualitative Fit Test Adapter for Twenty/Twenty and Twenty/20+ Facepieces. Includes slotted large nose cup
962912	*	Qualitative Fit Test Adapter for Classic Facepieces. Includes slotted standard nose cup
962920	3WYV4	Quantitative Fit Test Adapter for Twenty/Twenty and Twenty/20+ Facepieces. Requires 962900
960150	*	40mm DIN Thread Fit Test Adapter for Twenty/20+ Facepieces
Irritant Smoke Fit Test Kits		
770040	4GM20	Irritant Smoke Qualitative Fit Test Kit with deluxe carrying case. Includes 6 smoke tubes, 20 each respirator wipes, fit test video, and donning poster.
140090	45PC42	Irritant Smoke Qualitative Fit Test Kit in carrying bag. Includes 6 smoke tubes and applicator bulb.
770046	16M258	Irritant Smoke Qualitative Fit Test Tubes, (10/PK)
140038	*	Irritant Smoke Qualitative Fit Test Tubes, replacement for 140090 Qualitative Fit Test Kit. (6/PK)
Saccharine & Bitrex® Fit Test Kits		
193120	*	Saccharin Qualitative Fit Test Kit. Includes sensitivity and fit test solutions, sensitivity and fit test application misters and fit test hood.
193170	*	Bitrix Fit Test Kit
Z193106	*	Replacement fit test solution for 193120 Saccharine Fit Test Kit
Z193105	*	Replacement sensitivity solution for 193120 Saccharine Fit Test Kit
193171	*	Replacement fit test solution for 193170 Bitrex Fit Test Kit
193172	*	Replacement sensitivity solution for 193170 Bitrex Fit Test Kit
193107	*	Replacement hood for 193120 Saccharine and 193170 Bitrex® Fit Test Kits.
Z193102	*	Replacement nebulizer for 193120 Saccharine and 193170 Bitrex® Fit Test Kits.
Isoamyl Acetate (Banana Oil) Fit Test Solution		
193140	5T388	Isoamyl Acetate solution, two 1 ounce (29.5 ml) bottles, and test enclosure

POSİ3 USB SCBA TESTING EQUIPMENT

Posi3 USB® Parts for Honeywell SCBA

- The following Posichek products can be ordered through Honeywell Safety Products Customer Care

Part Number	Grainger Part Number	Description
752545	*	Posi3 USP Adapter for TITAN SCBA
905830	*	Pos3 USB Software (32 bit), USB for all Honeywell (Survivair) SCBA

- Posichek products are sold through Honeywell Analytics using the part numbers listed below
- Contact Information:
 - Honeywellanalytics.com
 - US: 847.955.8200
 - Canada, Calgary Office: 800.663.4164
 - Canada, Quebec Office: 800.563.2967

Posi3 USB® SCBA Test Bench

Part Number	Grainger Part Number	Description
54-56-1717	*	Posi3 USB with low and high pressure (2216 and 4500 psig) manifolds, 500 psig medium pressure transducer, Enhanced Precision (EP) transducer and standard Posi3 USB SCBA test software
54-56-2717	*	Posi3 USB with low and high pressure (2216 and 4500 psig) manifolds, 500 psig medium pressure transducer, Enhanced Precision (EP) transducer, sound detection system (SDS) and standard Posi3 USB SCBA test software
54-56-5117	*	Posi3 USB with low and high pressure (2216 and 4500/5500 psig) manifolds, 250 psig medium pressure transducer, Enhanced Precision (EP) transducer, to test 5500 psi SCBA models and standard Posi3 USB SCBA test software
54-56-6117	*	Posi3 USB with low and high pressure (2216 and 4500/5500 psig) manifolds, 250 psig medium pressure transducer, Enhanced Precision (EP) transducer, to test 5500 psi SCBA models, sound detection system (SDS), and standard Posi3 USB SCBA test software

Test Bench Upgrade

54-21-A17	Add Sound Detection System (SDS) capability Note: Unit must be Posi3 USB. Calibration fee and return shipping is not included
-----------	---

Posi3 USB Accessories

Part Number	Grainger Part Number	Description
35-0470	*	Pressure reducing regulator and valve assembly
35-0475	*	2216 psi Adapter for pressure reducing regulator and valve assembly
54-370	*	Replacement test head for Posi3 USB (included in complete Posi 3 USB unit)
54-21-A03	*	Low pressure exterior manifold, 2216/3000 psi (included in complete Posi 3 USB unit)
54-21-A02	*	High pressure exterior manifold, 4500/5500 psi (included in complete Posi 3 USB unit)
35-751	*	Hose assembly, first stage (included in complete Posi 3 USB unit)
54-21-A15	*	Case for Posi3 USB, large, foam lined. Holds Posi 3 USB unit, head, and external manifolds. <i>Note: Not recommended for shipping Posichek to Honeywell Analytics for calibration as head should not be included when unit.</i>
54-21-A16	*	Case for Posi 3 USB, small, foam lined. Holds only the Posi 3 USB unit <i>Note: Recommended for shipping to Honeywell Analytics for calibration.</i>

Posi3 USB Calibration Services

The Posi3 USB Annual Service Fee includes return shipping anywhere in the United States. All Posi3 USB units shipped outside of the United States are subject to additional freight, duty and tax fees and are subject to export laws. The Posi 3 USB Annual Service Fee does not cover the cost of instrument upgrades, nor does it cover damage or defects caused by abuse, improper packaging, alterations, or unauthorized repairs. Outside the U.S. market, additional freight charges will apply.

Part Number	Grainger Part Number	Description
54-21-A10-CT22	*	Annual Service and Calibration (includes return shipping within the USA)
POSI_RUSH_SVC	*	Service Expedite fee

Posi3 USB Software

HA Part Number	Grainger Part Number	Description
54-58-01	*	Pos3 USB Software (32 bit), USB for all Honeywell (Survivair) SCBA
54-58-10	*	Posi3 USB standard Software (included with Posi3 USB unit)

For more information contact your Grainger Representative
or visit www.Grainger.com[®]

