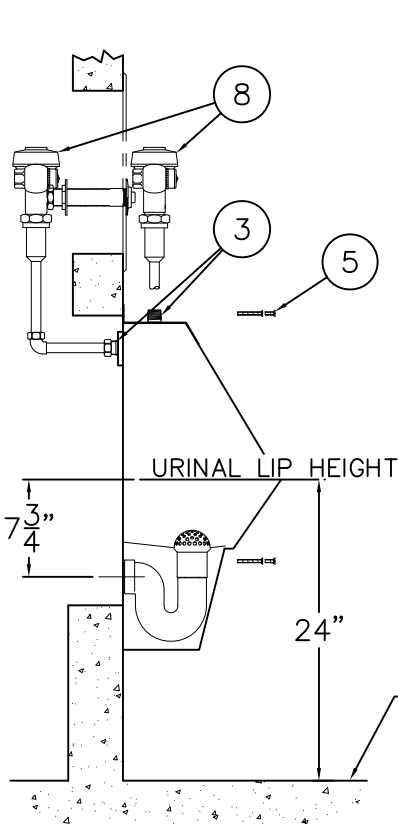


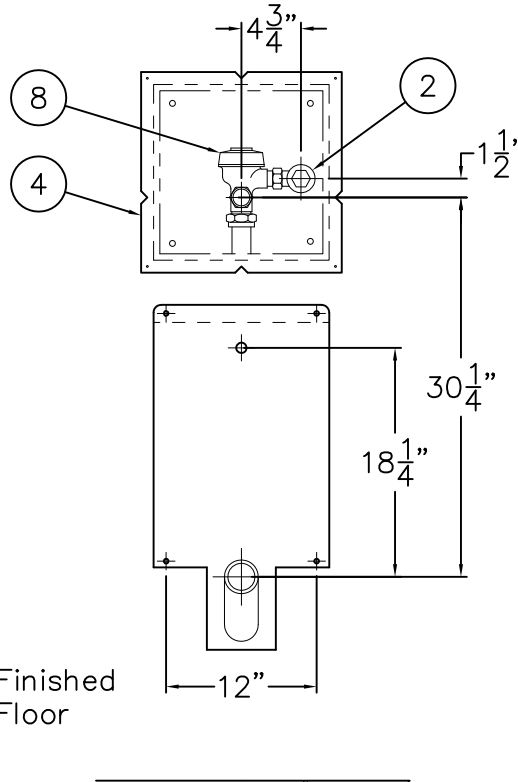
DETAIL 'A'

REFERENCE DRAWINGS:

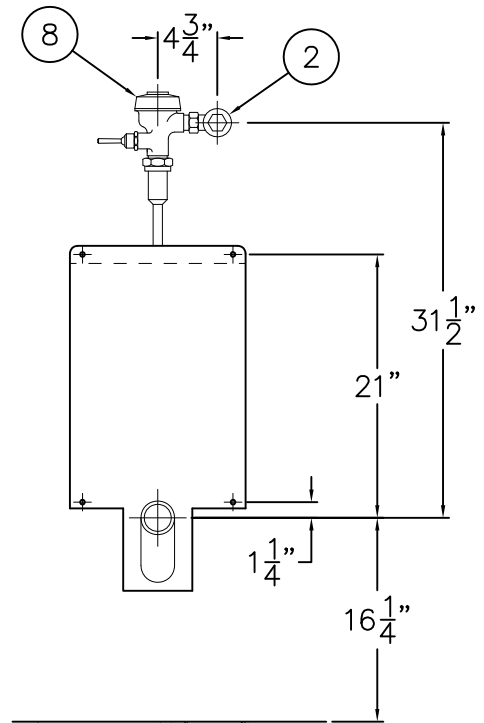
WASTE ADAPTERS | 9985-100-002



SIDE VIEW



**ROUGH-IN REAR VIEW OF
-W WALL SUPPLY UNIT**



**ROUGH-IN REAR VIEW OF
-T TOP SUPPLY UNIT**

INSTALLATION INSTRUCTIONS

A- ROUGH-IN FOR THE FOLLOWING:

- 2" WASTE OUTLET. ADAPTER FURNISHED (1) IS FOR 2" NCT X O-RING (SEE DETAIL "A"). FOR WASTE PIPING OTHER THAN 2" NCT, SEE DRAWING #9985-100-002.
- FLUSH VALVE INLET 3/4" NPT (2).
- FIXTURE FLUSHING INLET 3/4" NPT (3).

B- FOR DURA-WARE FLUSH VALVE ACCESS PANELS (4), FOR CONCEALED FLUSH VALVE INSTALLATION REFER TO DRAWING #9908-399-001.

C- INSTALL WALL ANCHORS (BY OTHERS) FOR 1/4"-20 X 2" LONG SCREWS (5).

D- SOLDER ADAPTER (1) TO 2" NCT WASTE LINE (BY OTHERS). IF STUB-OUT (6) IS OTHER THAN 2" NCT, MAKE THE CONNECTION AS NECESSARY.

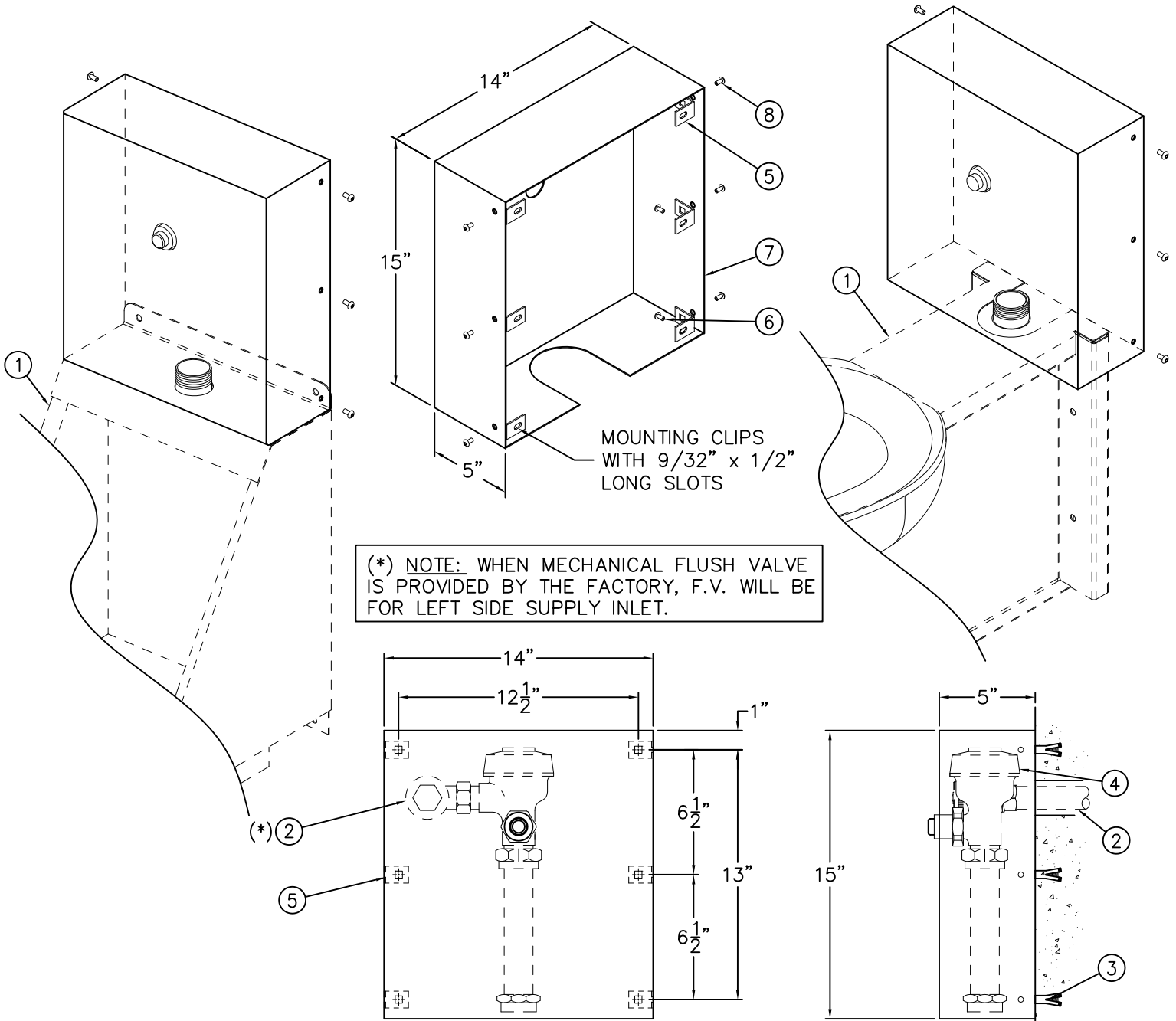
E- LUBRICATE O-RING (7) & SLIDE ONTO ADAPTER (1). SLIDE FIXTURE ONTO O-RING WASTE ADAPTER (1). ATTACH FIXTURE TO WALL USING (4) MOUNTING SCREWS (5) PROVIDED.

F- CONNECT FLUSH VALVE (8) PER MANUFACTURERS' RECOMMENDATIONS.



ACORN ENGINEERING COMPANY
P.O. BOX 3527 Industry, CA 91744
15125 Proctor Ave Industry, CA 91746
(626) 336-4561 FAX (626) 961-2200

TITLE FRONT MOUNT - WASHOUT URINAL CAT. #2162		
MANUFACTURE DATE FEBRUARY 1975 TO PRESENT	DATE ISSUED 06/01/90	DRAWING NUMBER 9908-301-001
	DATE REVISED 02/10/12	



(* NOTE: WHEN MECHANICAL FLUSH VALVE IS PROVIDED BY THE FACTORY, F.V. WILL BE FOR LEFT SIDE SUPPLY INLET.

Front View of -FVC

Side View of -FVC

INSTALLATION INSTRUCTIONS:

- A- MOUNT FIXTURE ① TO WALL.
- B- ROUGH-IN FOR FLUSH VALVE SUPPLY ② REFER TO FIXTURE INSTALLATION INSTRUCTIONS.
- C- LOCATE AND INSTALL WALL ANCHORS (BY OTHERS) ③.
- D- INSTALL FLUSH VALVE ④ TO FIXTURE ①.
- E- ATTACH MOUNTING CLIPS ⑤ TO WALL USING MOUNTING SCREWS ⑥ (BY OTHERS).
- F- ATTACH FLUSH VALVE COVER ⑦ TO MOUNTING CLIPS ⑤ USING #10-32 SCREWS ⑧ PROVIDED.

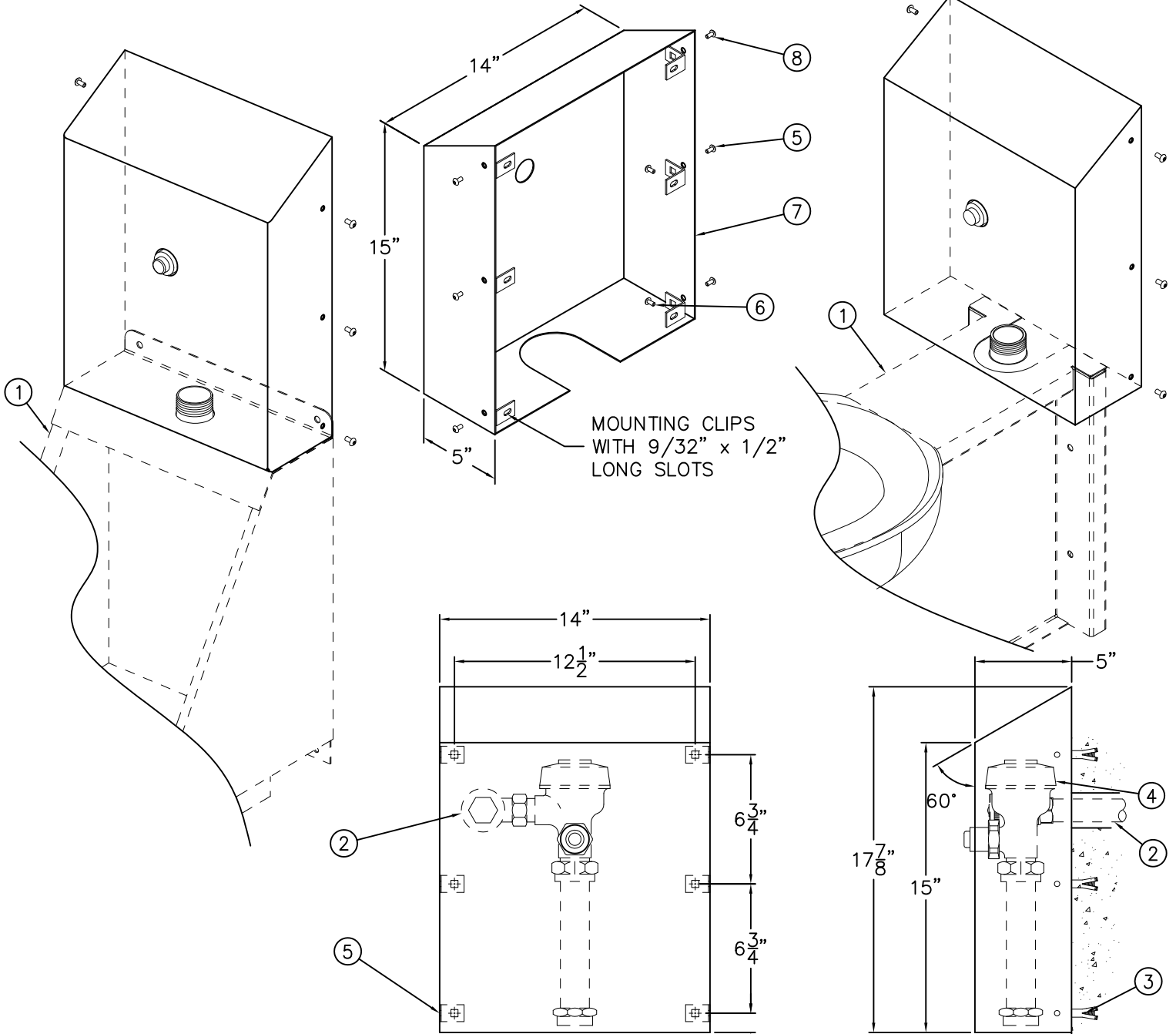
Reference Drawings	
Security Screws	9951-005-001
Tinnerman Nuts	9951-007-001

NOTE: FIXTURES SHOWN FOR REFERENCE ONLY.



ACORN ENGINEERING COMPANY
P.O. BOX 3527 Industry, CA 91744
15125 Proctor Ave Industry, CA 91746
(626) 336-4561 FAX (626) 961-2200

TITLE -FVC FLUSH VALVE COVER #2802		
MANUFACTURE DATE FEBRUARY 1975 TO PRESENT	DATE ISSUED 04/17/98	DRAWING NUMBER 9908-395-001
	DATE REVISED 12/21/16 D	



INSTALLATION INSTRUCTIONS:

- A- MOUNT FIXTURE ① TO WALL.
- B- ROUGH-IN FOR FLUSH VALVE SUPPLY ② REFER TO FIXTURE INSTALLATION INSTRUCTIONS.
- C- LOCATE AND INSTALL WALL ANCHORS (BY OTHERS) ③.
- D- INSTALL FLUSH VALVE ④ TO FIXTURE ①.
- E- ATTACH MOUNTING CLIPS ⑤ TO WALL USING MOUNTING SCREWS ⑥ (BY OTHERS).
- F- ATTACH FLUSH VALVE COVER ⑦ TO MOUNTING CLIPS ⑤ USING #10-32 SCREWS ⑧ PROVIDED.

Front View of -FVC-SLPT

Side View of -FVC-SLPT

Reference Drawings	
Security Screws	9951-005-001
Tinnerman Nuts	9951-007-001

NOTE: FIXTURES SHOWN FOR REFERENCE ONLY.

<p>ACORN ENGINEERING COMPANY P.O. BOX 3527 Industry, CA 91744 15125 Proctor Ave Industry, CA 91746 (626) 336-4561 FAX (626) 961-2200</p>	<p>TITLE -FVC-SLPT FLUSH VALVE COVER WITH SLOPING TOP #2802</p>	
	<p>MANUFACTURE DATE FEBRUARY 1975 TO PRESENT</p>	<p>DATE ISSUED 03/07/11</p> <p>DATE REVISED 04/15/13 E</p>