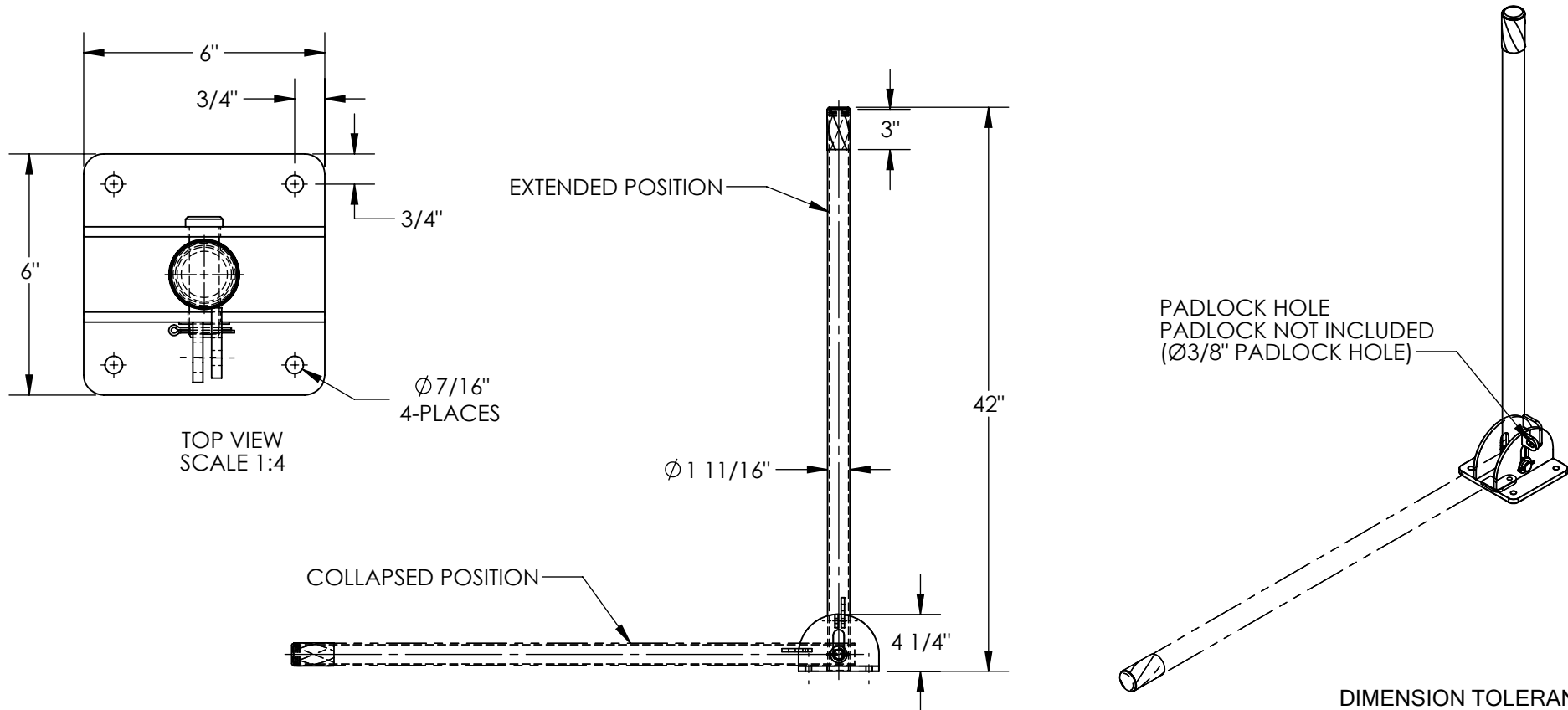


# FOLDING BOLLARD - BOL-FD-36-Y

APPROX WEIGHT: 13.03 lbs.  
 DOES NOT INCLUDE WEIGHT OF POWER OR PACKAGING!!!

\*\*\* ANY ADDITIONS, DELETIONS, OR OMISSIONS MUST BE CORRECTED ON THIS DRAWING AS THIS DRAWING WILL BE CONSIDERED ALL INCLUSIVE \*\*\*  
 ALL GRAPHICS PROVIDED ARE FOR REFERENCE ONLY. IF CERTAIN DIMENSIONS ARE CRITICAL PLEASE VERIFY THOSE DIMENSIONS WITH YOUR SALESPERSON



DIMENSION TOLERANCE  $\pm 1/4"$

## STANDARD FEATURES

MODEL NUMBER IS BOL-FD-36-Y  
 EXTENDED HEIGHT IS 42"  
 COLLAPSED HEIGHT IS 4 1/4"  
 BOLLARD DIAMETER IS  $\phi 1 11/16"$   
 LAG DOWN MOUNTING PLATE: 3/8" x 6" x 6"  
 WITH  $\phi 7/16"$  MOUNTING HOLES FOR  $\phi 3/8"$  HARDWARE  
**INSTALLATION HARDWARE IS NOT INCLUDED**  
 BLACK & YELLOW SAFETY STRIPES  
 TOUGH BAKED IN POWDER COATED YELLOW FINISH  
 ALL STEEL CONSTRUCTION  
 (ASTM A-36 MIN.) WITH  
 WELDING TO MEET AWS  
 WARNING: CHECK APPLICABLE STATE  
 & LOCAL LAWS IN YOUR AREA

## SPECIAL FEATURES

NONE

<b>APPROVAL</b>	I, THE UNDERSIGNED, AGREE THAT THE PRODUCT AS REPRESENTED SATISFIES DESIGN AND DIMENSION REQUIREMENTS. I ALSO ACKNOWLEDGE MY DUTY TO CONFIRM PRODUCT AND INSTALLATION COMPLIANCE WITH ALL APPLICABLE FEDERAL, STATE AND LOCAL REGULATIONS AND STANDARDS.	
	<b>ANY MODIFIED UNITS ARE NON-RETURNABLE</b>	
	[ ] As drawn      [ ] As marked	
Signed: _____		Date: _____
Printed Name: _____		
<i>LEAD TIME WILL START UPON RECEIPT OF SIGNED APPROVAL DRAWING</i>		

FOR INTERNAL USE ONLY PROJECT SIGN OFF	
SALES	
ENG.	
FAB.	
POWER	

DISTRIBUTOR'S NAME:		P.O.#
<b>VESTIL MANUFACTURING</b>		X
		W.O.#
DRAWN BY: ALH	DATE: 09/28/2011	X
REFERENCE: X	SCALE: 1:12	FILE NAME:
QUOTED LEAD TIME: X	QUOTE #	23-007-191-001
	X	