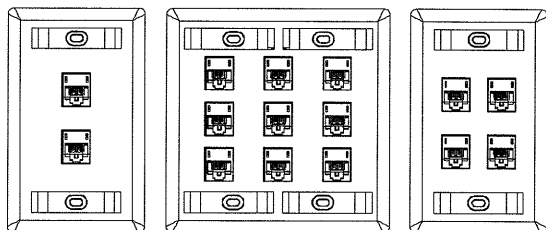




**IFP SERIES FACEPLATES**



ALWAYS INSTALL TOP ROW OF JACKS  
 OR SF CONNECTORS FIRST.  
 ALWAYS INSTALL WITH JACK TABS DOWN.

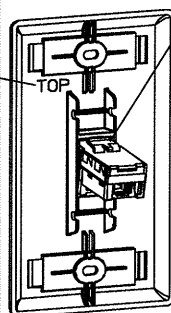
CATALOG #S FOR  
 SINGLE GANG PLATES

- IFP11\*\*\*
- IFP12\*\*\*
- IFP13\*\*\*
- IFP14\*\*\*
- IFP16\*\*\*

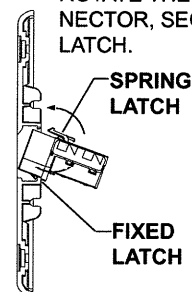
CATALOG #S FOR  
 DOUBLE GANG PLATES

- IFP29\*\*\*
- IFP212\*\*\*
- IFP26\*\*\*

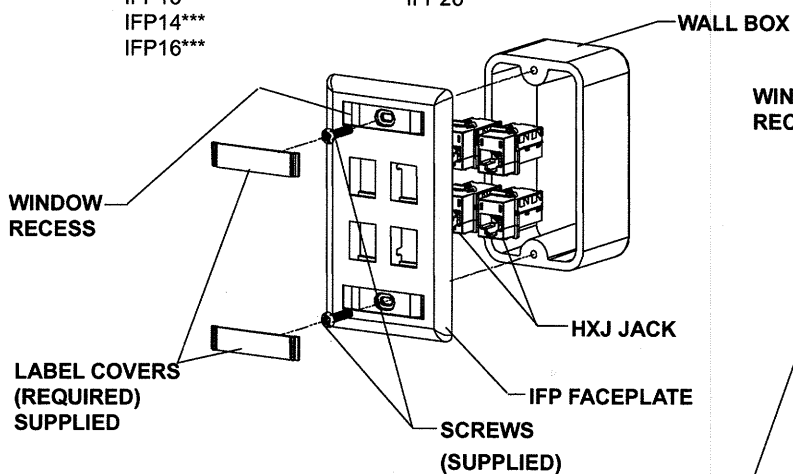
SPRING LATCH ALWAYS  
 TOWARD TOP OF PLATE



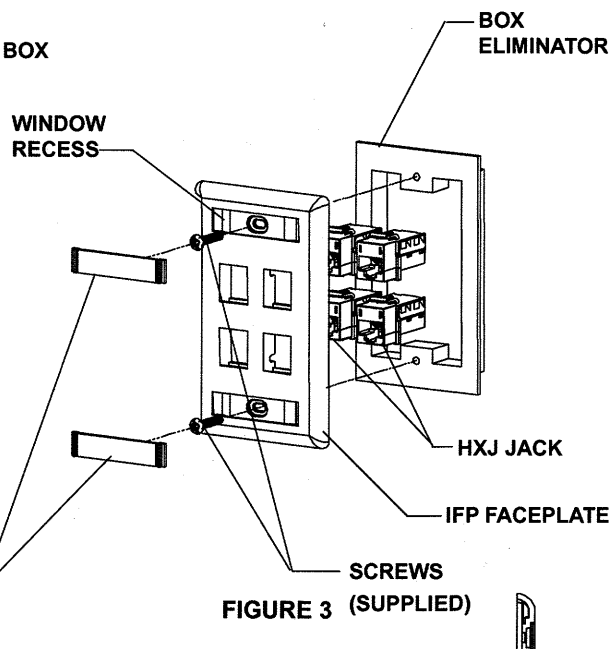
TILT JACK OR SF CONNECTOR  
 AND SECURE FIXED LATCH INTO  
 KEYSTONE OPENING.  
 ROTATE THE JACK OR SF CON-  
 NECTOR, SECURING SPRING  
 LATCH.



**FIGURE 1**

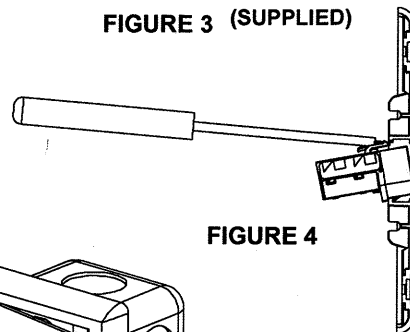


**FIGURE 2**

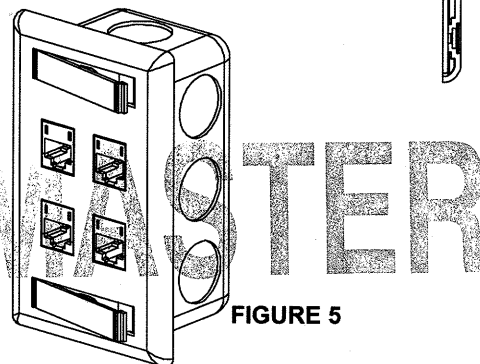


**FIGURE 3 (SUPPLIED)**

1. INSTALL JACKS OR SF CONNECTORS INTO PLATE. (SEE FIGURE 1)
2. SECURE PLATE TO WALL BOX OR BOX ELIMINATOR WITH SUPPLIED SCR (APPLY MINIMAL TORQUE TO SECURE PLATE TO WALL)
3. INSERT LABELS AND COVERS OVER SCREWS: (FIGURES 2 & 3)
  - A. FOR LABELS, INSERT PAPER INTO WINDOW RECESS (BLANK LABELS ARE SUPPLIED).
  - B. INSERT LEFT END OF CLEAR COVER APPROXIMATELY 1/2" INTO RECESS AT LEFT END OF WINDOW OPENING.
  - C. DEPRESS RIGHT END OF COVER AND SLIDE TO RIGHT UNTIL COVER LATCHES FLUSH WITH THE FACE OF PLATE
4. WHEN USING COLORED COVERS:  
 FOLLOW STEPS 3B AND 3C
5. JACK REMOVAL INSTRUCTIONS: (SEE FIGURE 4)  
 USING SCREW DRIVER, OR ANY USABLE TOOL, DEPRESS SPRING LATCH AND TILT OUT.
6. TO REMOVE LABEL COVER: (SEE FIGURE 5)  
 DEPRESS ONE END OF COVER AND PUSH TOWARDS NEAR END OF WINDOW RECESS UNTIL OPPOSITE END RELEASES.



**FIGURE 4**



**FIGURE 5**