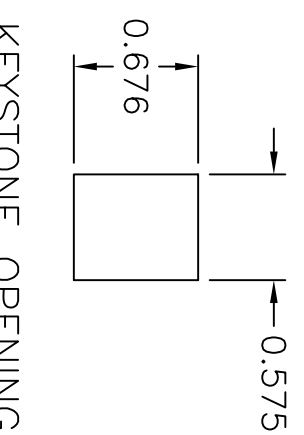
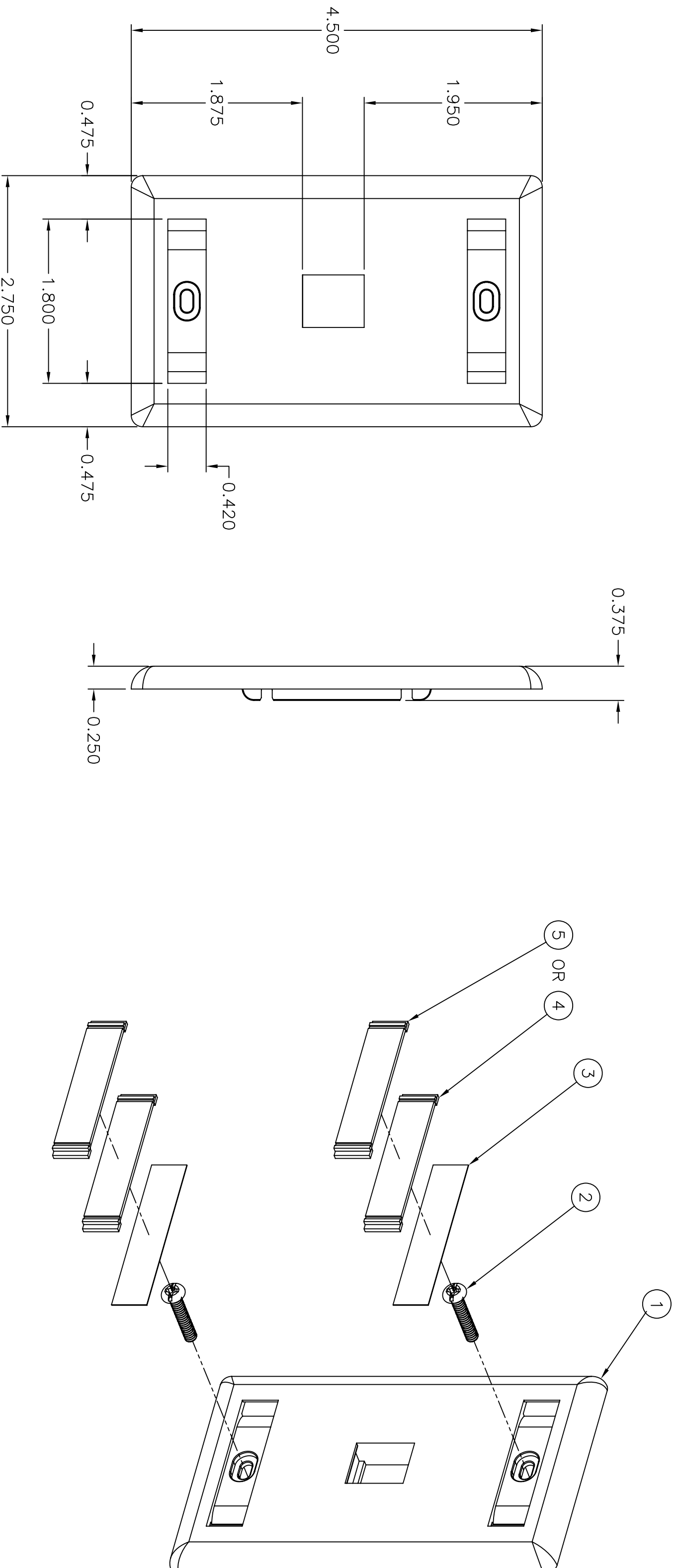


ITEM NO.	DESCRIPTION	QTY.
1	PLATE, FLUSH, 1P, W/LABELS	1
2	SCREW, 6-32 PAN HD-SPECIAL	2
3	CARD, PAPER, 40X1.92, BLANK	2
4	COVER LABEL, CLEAR	2
5	COVER LABEL, MATCHING COLOR	2



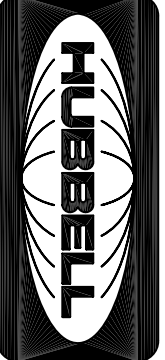
CATALOG NUMBER	COLOR	DESCRIPTION
IFP110W	OFFICE WHITE	PLATE FLUSH 1 PORT
IFP11EI	ELECTRIC NOYR	PLATE FLUSH 1 PORT
IFP11W	WHITE	PLATE FLUSH 1 PORT
IFP11GY	GRAY	PLATE FLUSH 1 PORT
IFP11TI	TELCO NOYR	PLATE FLUSH 1 PORT
IFP11BK	BLACK	PLATE FLUSH 1 PORT
IFP11AL	ALMOND	PLATE FLUSH 1 PORT
IFP11LA	LIGHT ALMOND	PLATE FLUSH 1 PORT
IFP11BN	BROWN	PLATE FLUSH 1 PORT



NOTES
UNLESS OTHERWISE SPECIFIED:

1. UL LISTED: E129878
2. CSA CERTIFIED: LR 80837
3. SPECIFICATIONS SUBJECT TO CHANGE WITHOUT NOTICE

REV.	ECN	DATE	DESCRIPTION	CHG BY	APPD BY
D	16450	7/07/10	ADDED BROWN	CG	

Created on AUTOCAD		DIMENSIONING AND TOLERANCE PER ANSI Y14.5M-1982 UNLESS OTHERWISE SPECIFIED, DIMENSIONS ARE IN INCHES (MM). TOLERANCES .XX = ±.01 (.25) .XXX = ±.005 (.127) .XXXX = ±.0025 (.0635) ANGLE TOL ±1°	
PROJECT REFERENCE:		DRAWN BY: P.S.MAGUIRE 02/22/2001	
MATERIAL:		CHECKED BY: H. MCGREGOR 02/28/2001	
IN ACCEPTING OUR DRAWINGS, BLUEPRINTS, OR SUPPORTING DOCUMENTATION FOR QUOTATION OR OTHER PURPOSES, YOU AGREE NOT TO DISCLOSE TO OTHERS THE IDEAS, INFORMATION, OR DESIGNS SHOWN HEREIN, AND THAT YOU WILL MAKE NO USE OF SAME WITHOUT PERMISSION		APPROVED BY: H. MCGREGOR 02/28/2001	
TITLE: INFINE STATION FACE PLATE FLUSH 1-PORT WITH LABEL HOLDERS		 Hubbell Premise Wiring HUBBELL INCORPORATED (Delaware) 14 Lord's Hill Road, Stonington, Connecticut 06378	
SIZE: C	DRAWING NO.:	SCALE:	REV.:
	C773015	FULL	D
		SHEET 1 OF 1	