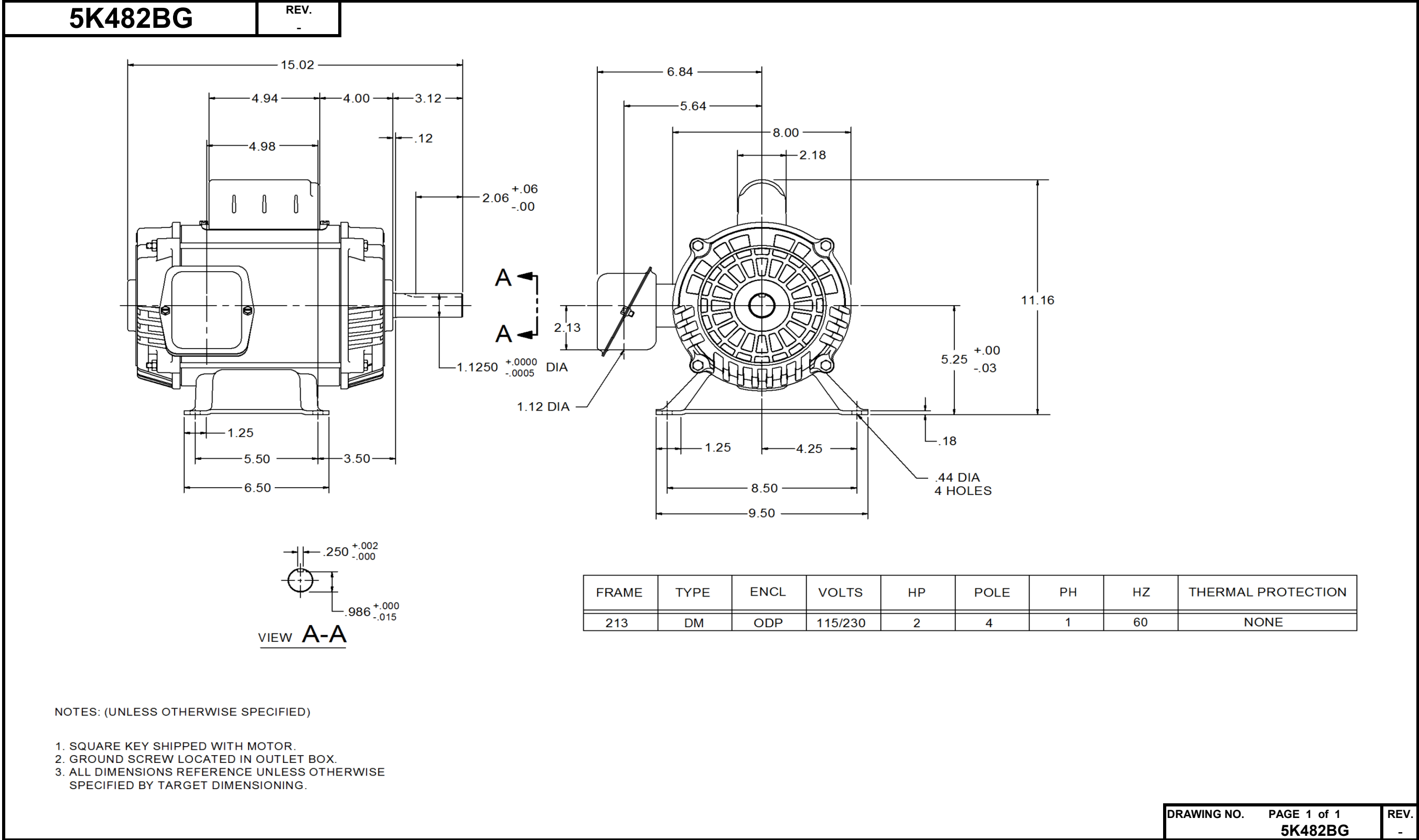


Dimensional Drawing



Dayton Electric Mfg. Co. Lake Forest, IL 60045 USA

5K482BG

REV.
0

MOTOR PERFORMANCE

MODEL NO.	5K675BG	PHASE	TYPE	FRAME
5K482BG	5K482BG	1	DM	213

ORDER NO.	NA	LINE NO.

HP:	2	2
POLES:	4	4
HZ:	60	60
SERVICE FACTOR:	1.15	1.15
DUTY CYCLE:	CONTINUOUS	CONTINUOUS
ALTITUDE (FASL) FT:	3300	3300
MAX AMBIENT:	40°C	40°C
ENCLOSURE:	ODP	ODP
INSULATION CLASS:	F	F
VOLTS:	115	230
EFFICIENCY (%):		
S.F.	76.5	76.5
FULL	76.1	76.1
3/4	75.0	75.0
1/2	70.5	70.5
1/4	57.7	57.7
POWER FACTOR (%):		
S.F.	78.8	78.8
FULL	75.4	75.4
3/4	67.7	67.7
1/2	56.3	56.3
1/4	39.4	39.4
AMPS:		
S.F.	27.2	13.6
FULL	24.6	12.3
3/4	19.2	9.6
1/2	16.6	8.3
1/4	14.6	7.3
NO LOAD	13.4	6.7
LOCKED ROTOR AMPS:	116	58
NEMA CODE LETTER	J	J
NEMA DESIGN LETTER	L	L
FULL LOAD RPM	1740	1740
THERMAL PROTECTION	—	—
TORQUES:		
BREAKDOWN{LB-FT}	15.5	15.5
LOCKED ROTOR{LB-FT}	17.3	17.3
PULL UP{LB-FT}	13.5	13.5
FULL LOAD{LB-FT}	6	6

NEMA Nominal and Guaranteed Efficiencies are up to 3,300 feet above sea level and 25 °C ambient

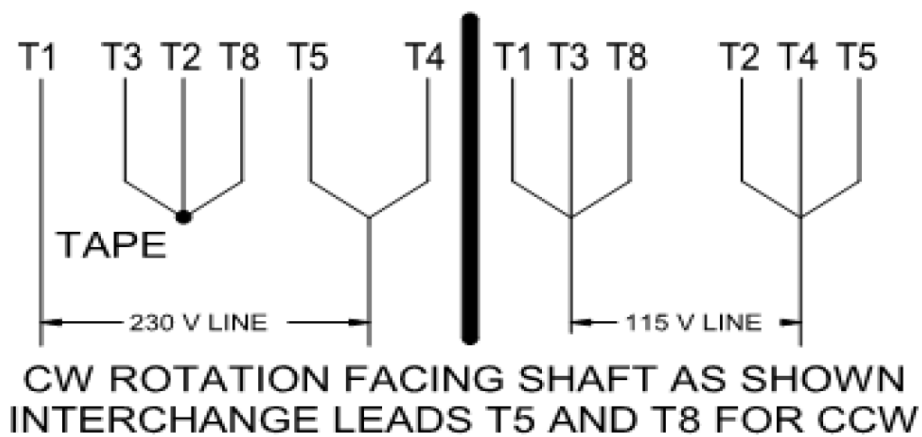
The Above Data Is Typical, Sinewave Power Unless Noted Otherwise

DRAWING NO.	PAGE 1 of 1	REV.
	5K482BG	0

5K482BG

REV.
0

Motor Wiring Diagram 6 Lead, Single Phase, Dual Voltage



Connected for CW Rotation Facing Shaft End.
To reverse direction of rotation, interchange leads 5 & 8.

Each lead may have one or more cables comprising that lead.
In such case, cable will be marked with the appropriate lead number.

DRAWING NO.	PAGE 1 of 1	REV.
5K482BG		0

Dayton[®]**INDUSTRIAL
MOTOR**Part
No. 5K482BGSHAFT
END BRG 6206-2Z-J/C3OPP
END BRG 6204-2Z-J/C3

FR 213

TYPE DM

ENCL ODP

PH 1 MAX
 AMB 40 °C ID#

INSUL CLASS F DUTY CONT WT 62 LB BAL

HP 2	RPM 1740	SF 1.15	HZ 60
VOLTS 115/230		MAX KVAR	NEMA NOM EFFICIENCY 76.1
AMPS 24.6/12.3		CODE J	DES L
SF AMPS 27.2/13.6		PF 75.4	GUARANTEED EFFICIENCY

2041394-004 MADE IN MEXICO OF IMPORTED AND DOMESTIC COMPONENTS

**Mfd. for Dayton Electric Mfg. Co.
Lake Forest, IL 60045 USA**