

Metallic 30° Angle Back Box

Ordering Information

| Description | UPC | Catalog Number |
|--|--------------|----------------|
| Metallic Back Box, Pin and Sleeve Insulgrip, Angle | 783585010304 | MB301W |

Product Type
Accessories

Standards

UL Listed
CSA Certified

Specifications

| | |
|-----------------|-----------------|
| Gaskets | Neoprene |
| Hinge Spring | Stainless Steel |
| Assembly Screws | Stainless Steel |
| Box Hub Size | 3/4" NPT |

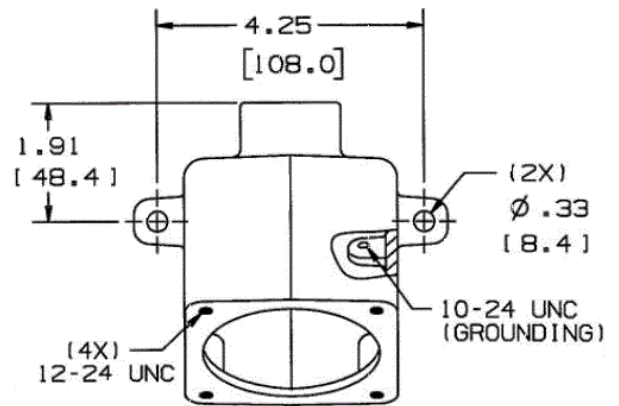
Performance

Electrical
Current Interrupting Certified for current interrupting at full rated current

Dielectric Voltage Withstands 3,000V AC
Max Working Voltage 600V AC RMS

Mechanical
Impact Resistance In accordance with UL746C
Product Identification Identification and ratings are a part of the external label and molded into the receptacle mount
Terminal Identification Terminals identified in accordance with North American and International conventions

Environmental
Flammability UL94-5VA and V-0 classification
Operating Temperatures Max. Continuous: 75° C; Min. Continuous: -40° C w/o impact



Online Resources

Customer Use Drawing
eCatalog
Installation Instructions