



# Dayton® Steerable Skate

## Operation (Continued)

and also provides the best load distribution, such as the corners of the object being moved. The point of placement should be able to support that part of the load. Lifting the object may be accomplished by a hydraulic jack, hoist, fork truck, pry bar, or any similar device depending upon the load weight. Lifting height is determined by the height of the roller. Note that the roller's low height makes lifting or raising of the equipment minimal.

3. Particular care should be taken when installing rollers. Such care should include lifting, prying and/or jacking the loads. All relevant manufacturer's bulletins on the use of any accessory equipment should be read thoroughly before proceeding.
4. Particular care should be paid to exact alignment of the rollers. Failure to do so could increase surface friction and, in cases of severe misalignment, cause possible shifting of the object on the roller. Rollers should be installed parallel to each other and at the same height.
5. Maximum speed of rolling surface should not exceed 10ft/min (3 meters/min).
6. If the object being moved has limited contact area or for any reason can shift, the roller should be affixed to the load in at least some temporary manner. This method of affixing the roller to the load should be able to withstand any horizontal force that might result from the load shift.
7. Particular care should be taken when moving top heavy equipment or equipment where there is a high center of gravity. The user should take all necessary precautions so that

that the load center is not allowed to shift even in the slightest amount. These precautions may include:

- (1) Constant monitoring of rollers.
- (2) Absolute cleanliness of moving surfaces.
- (3) Use of a temporary method of attaching roller to load.
- (4) Not moving on uneven surfaces or changing levels.
- (5) Use of preload pads.
- (6) Not turning load while moving.
- (7) Moving slowly at all times.
8. The path upon which the roller transports the heavy load should be clean of all debris and should not have sharp protrusions of any sort.
9. Check to be sure that the floor surface or subsurface cannot deflect or "sag" due to the load concentration at that point. If so, the surface must be improved.
10. Rollers should be periodically inspected in accordance with Maintenance Instructions.
11. When using Rollers, it is assumed that the user has experience in moving or transporting heavy loads and can apply the common sense practices that apply in the wise and careful methods required to move, shift or transport heavy equipment.
12. If there are any questions or lack of experience in using rollers, be sure to contact our technical staff.

## Maintenance

General maintenance requirements for the Steerable Skate System are limited to periodic visual inspections of the Skate System Components to ensure that they are able to move freely, so as not to impede the operation of the Roller System. Below are the recommended procedures to maintain the Roller System in proper working order.

- a. The Steerable Skate should be visually inspected after every 50 hours of use, or every six months, whichever ever comes first, or after a prolonged period of use.
- b. Frame Inspection Points:
  - (1) Inspect all structural members for proper integrity.
  - (2) Make certain all bolts (if any) are free of corrosion.
  - (3) Clean dirt and grease off the center load plate.
  - (4) Inspect for any cracks or excessive wear.

# Models 5ERJ9, 5ERK0 thru 5ERK8

## Storage

1. It is recommended that the rollers be stored in a dry location, preferably indoors. If they cannot be stored indoors, protect the Rollers by covering them with a suitable waterproof material, such as a sheet of heavy-gauge plastic or a tarpaulin. Do not enclose Rollers in sealed plastic bags because condensation can develop, especially if the Rollers are stored outdoors.
2. Make sure that Rollers do not sit on damp surfaces or in water. Protect them from dirt and grit, which is especially common in the field or at construction sites.
3. If the Rollers are stored for extended periods, visually inspect the Rollers every few months and re-lubricate if necessary.  
NOTE: Prior to use after long-term storage, remove excess grease to minimize the attraction of foreign debris and to insure normal operation.

**▲WARNING** *Do not attempt to repair this product unless you are trained and authorized to do so. Serious injury could result.*

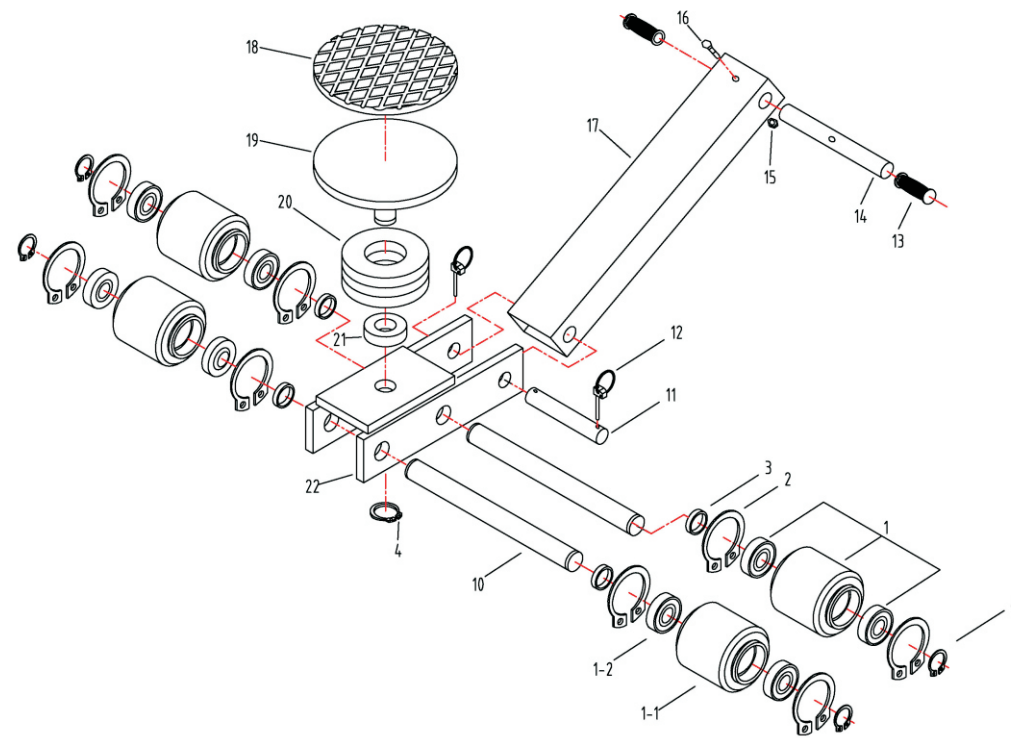
**▲WARNING** *These products may not be altered in any way without written permission from the manufacturer.*

## For Repair Parts, Call 1-800-323-0620

24 hours a day-365 days a year

Please provide following information:

- Model number
- Serial number(if any)
- Part description and number as shown in part list



Part description and number as shown in part list

## Repair Parts List for 5ERJ9

Ref. NO.	Description	Part NO.	Qty.	Ref. NO.	Description	Part NO.	Qty.
	<b>Roller kit</b>	MH5ERJ901G		13	Rubber Grip	MH5ERJ903G	2
1-1	Roller	▲	4	14	Handle	MH5ERJ904G	1
1-2	Bearing	▲	8	15	Hexagon Nut M6	*	1
2	Retaining Ring A55	▲	8	16	Hex Head Bolt M6x40	*	1
3	Bushing	*	4	17	Handle Bar	*	1
4	Retaining Ring A25	MH5ERJ902G	5	18	Anti-skid Pad	MH5ERJ905G	1
10	Axle	*	2	19	Swivel Plate	*	1
11	Pivot Rod	*	1	20	Bearing	MH5ERJ906G	1
12	Pin	*	2	21	Bushing	*	1
				22	Roller Frame	*	1

(▲) Available in kit only. Kit consists of one replacement roll assembly.

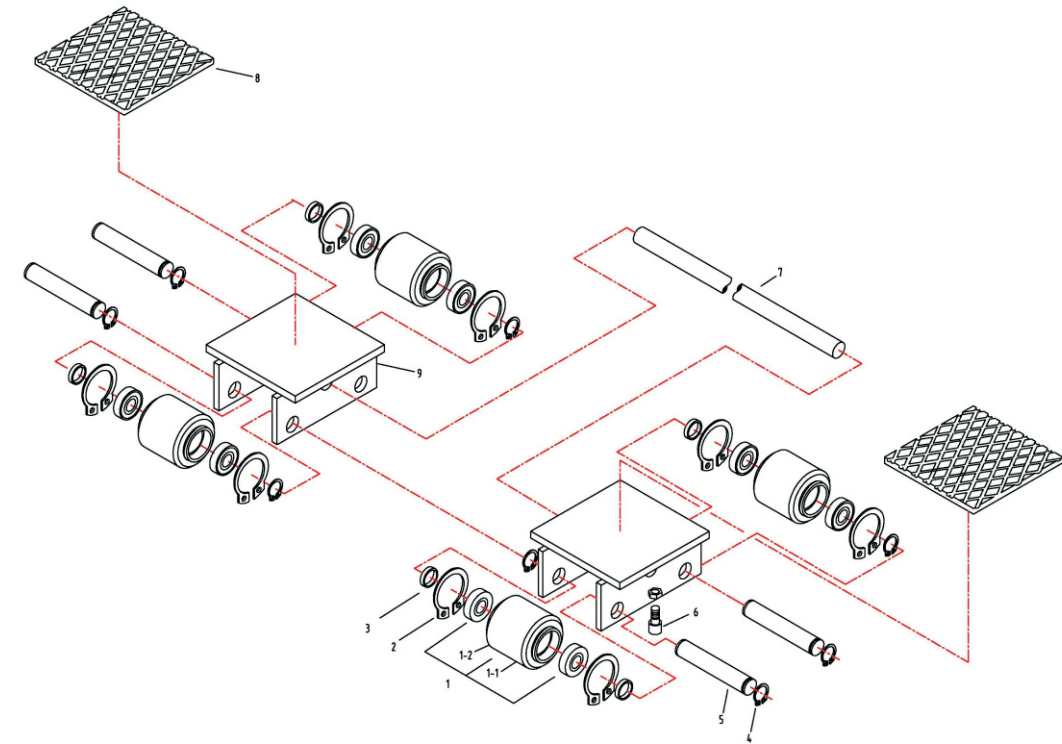
(\* ) Not available as repair part.

## For Repair Parts, Call 1-800-323-0620

24 hours a day-365 days a year

Please provide following information:

- Model number
- Serial number(if any)
- Part description and number as shown in part list



Part description and number as shown in part list

## Repair Parts List for 5ERK0

Ref. NO.	Description	Part NO.	Qty.	Ref. NO.	Description	Part NO.	Qty.
	<b>Roller kit</b>	MH5ERJ901G		7	Spacer Rod	*	1
1-1	Roller	▲	4	8	Anti-skid Pad	MH5ERK001G	2
1-2	Bearing	▲	8	9	Roller Frame	*	2
2	Retaining Ring A55	▲	8				
3	Bushing	*	8				
4	Retaining Ring A25	MH5ERJ902G	8				
5	Axle	*	4				
6	Hex socket Screw M12x20	*	2				

(▲) Available in kit only. Kit consists of one replacement roll assembly.

(\* ) Not available as repair part.

ENGLISH

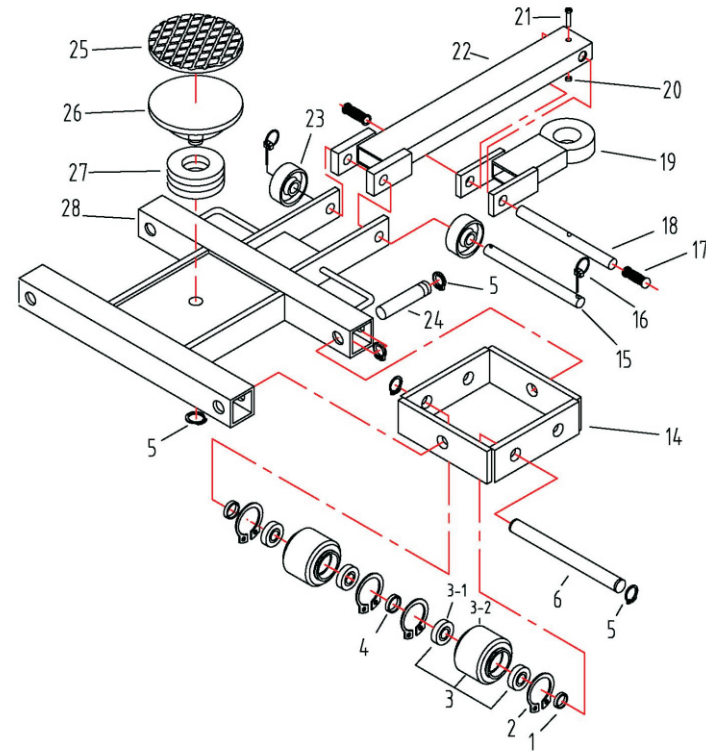
ENGLISH

**For Repair Parts, Call 1-800-323-0620**

**24 hours a day-365 days a year**

Please provide following information:

- Model number
- Serial number(if any)
- Part description and number as shown in part list



Part description and number as shown in part list

**Repair Parts List for 5ERK1**

Ref. NO.	Description	Part NO.	Qty.	Ref. NO.	Description	Part NO.	Qty.
1	Bushing	*	8	17	Rubber Grip	MH5ERJ903G	2
	<b>Roller Kit</b>	MH5ERJ901G		18	Pivot Rod	*	1
3-1	Bearing	▲	16	19	Pull Ring	*	1
3-2	Roller	▲	16	20	Hexagon Nut M6	*	1
2	Retaining Ring A55	▲	8	21	Hex head Bolt M6x40	*	1
4	Bushing	*	4	22	Handle Bar	*	1
5	Retaining Ring A25	MH5ERJ902G	17	23	Auxiliary Roller	MH5ERK101G	2
6	Axle	*	4	24	Wheel Frame Pin	*	4
14	Wheel Frame	*	2	25	Anti-skid Pad	MH5ERK102G	1
15	Pivot Rod	*	1	26	Swivel Plate	*	1
16	Pin	*	2	27	Bearing	MH5ERK103G	1
				28	Main Frame	*	1

(▲) Available in kit only. Kit consists of one replacement roll assembly.

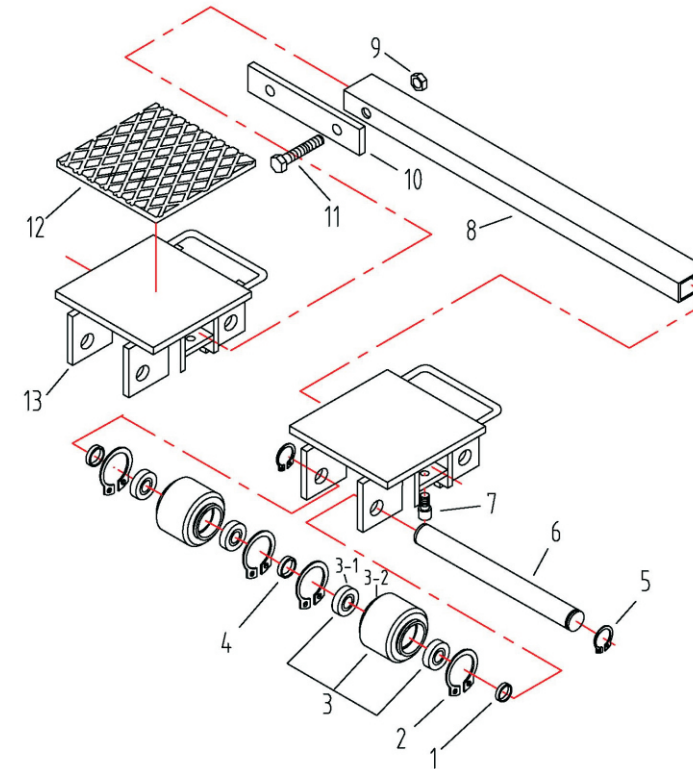
(\* ) Not available as repair part.

**For Repair Parts, Call 1-800-323-0620**

**24 hours a day-365 days a year**

Please provide following information:

- Model number
- Serial number(if any)
- Part description and number as shown in part list



Part description and number as shown in part list

**Repair Parts List for 5ERK2**

Ref. NO.	Description	Part NO.	Qty.	Ref. NO.	Description	Part NO.	Qty.
1	Bushing	*	8	7	Hex Socket Screw M12x20	*	4
	<b>Roller kit</b>	MH5ERJ901G		8	Connecting Bar	*	2
3-1	Bearing	▲	16	9	Hex Locking Nut M16	*	2
3-2	Roller	▲	16	10	Link Plate	*	2
2	Retaining Ring A55	▲	8	11	Hex Head Bolt M16x90	*	2
4	Bearing	*	4	12	Anti-skid Pad	MH5ERK201G	2
5	Retaining Ring A25	MH5ERJ902G	8	13	Roller Frame	*	2
6	Axle	*	4				

(▲) Available in kit only. Kit consists of one replacement roll assembly.

(\* ) Not available as repair part.

ENGLISH

ENGLISH

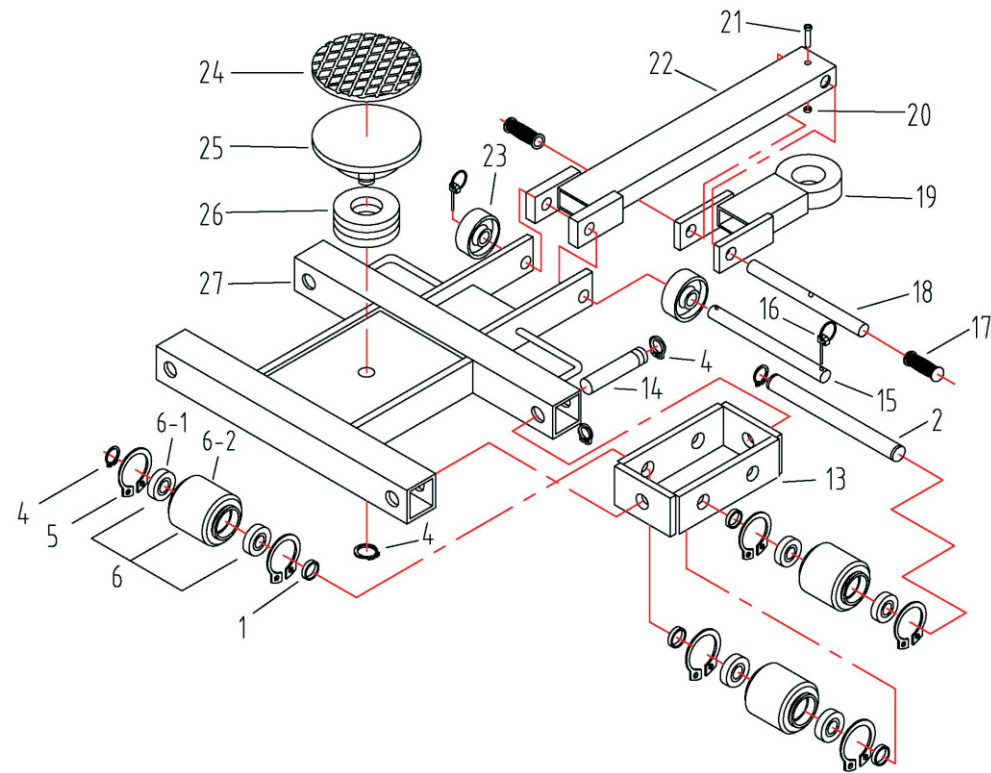


## For Repair Parts, Call 1-800-323-0620

24 hours a day-365 days a year

Please provide following information:

- Model number
- Serial number(if any)
- Part description and number as shown in part list



Part description and number as shown in part list

### Repair Parts List for 5ERK3

Ref. NO.	Description	Part NO.	Qty.	Ref. NO.	Description	Part NO.	Qty.
1	Bushing	*	16	17	Rubber Grip	MH5ERJ903G	2
2	Axle	*	4	18	Pivot Pod	*	1
4	Retaining Ring A25	MH5ERJ902G	17	19	Pull Ring	*	1
	<b>Roller kit</b>	MH5ERJ901G		20	Hexagon Nut M6	*	1
6-1	Bearing	▲	24	21	Hex Head Bolt M6x40	*	1
6-2	Roller	▲	12	22	Handle Bar	*	1
5	Retaining Ring A55	▲	24	23	Auxiliary Roller	MH5ERK301G	2
13	Wheel Frame	*	2	24	Anti-skid Pad	MH5ERK302G	1
14	Axle	*	4	25	Swivel Plate	*	1
15	Pivot Pod	*	1	26	Bearing	MH5ERK303G	1
16	Pin	*	2	27	Main Frame	*	1

(▲) Available in kit only. Kit consists of one replacement roll assembly.

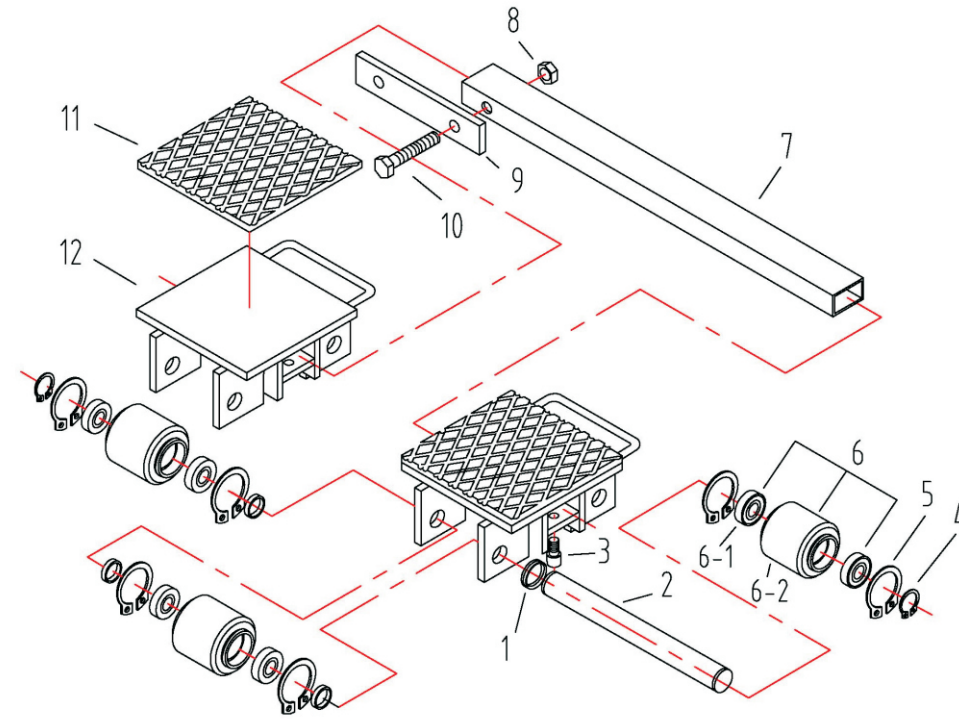
(\* ) Not available as repair part.

## For Repair Parts, Call 1-800-323-0620

24 hours a day-365 days a year

Please provide following information:

- Model number
- Serial number(if any)
- Part description and number as shown in part list



Part description and number as shown in part list

### Repair Parts List for 5ERK4

Ref. NO.	Description	Part NO.	Qty.	Ref. NO.	Description	Part NO.	Qty.
1	Bushing	*	16	7	Connecting Bar	*	2
2	Axle	*	4	8	Hex Locking Nut M16	*	2
3	Hex Socket Screw M12x20	*	4	9	Link Plate	*	2
4	Retaining Ring A25	MH5ERJ902G	8	10	Hex Head Bolt M16x90	*	2
	<b>Roller kit</b>	MH5ERJ901G		11	Anti-skid Pad	MH5ERK401G	2
5	Retaining Ring A55	▲	24				
6-1	Bearing	▲	24				
6-2	Roller	▲	12				

(▲) Available in kit only. Kit consists of one replacement roll assembly.

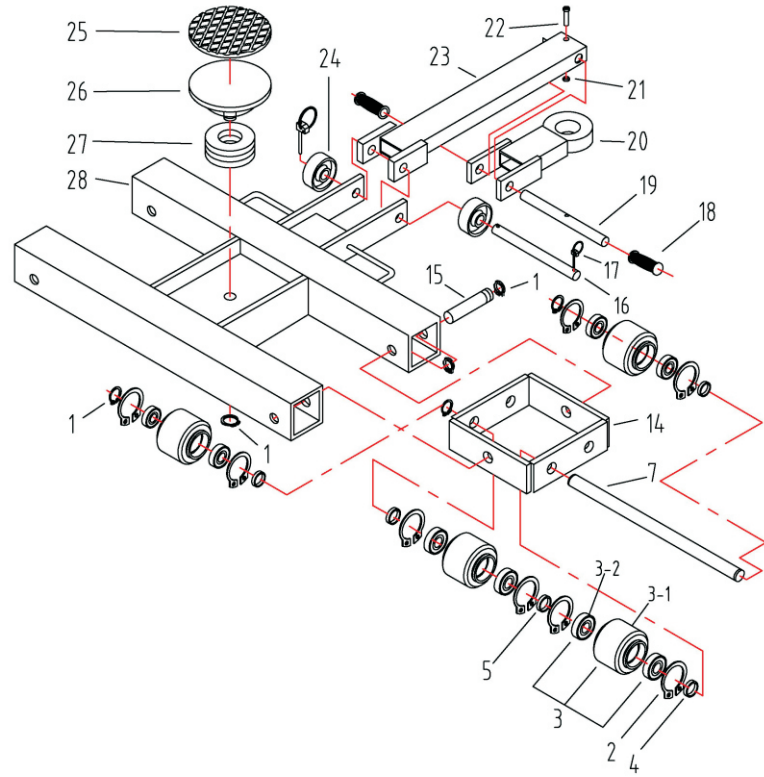
(\* ) Not available as repair part.

**For Repair Parts, Call 1-800-323-0620**

**24 hours a day-365 days a year**

Please provide following information:

- Model number
- Serial number(if any)
- Part description and number as shown in part list



Part description and number as shown in part list

**Repair Parts List for 5ERK5**

Ref. NO.	Description	Part NO.	Qty.	Ref. NO.	Description	Part NO.	Qty.
1	Retaining Ring A25 <b>Roller Kit</b>	MH5ERJ902G MH5ERJ901G	17	18	Rubber Grip	MH5ERJ903G	2
2	Retaining Ring A55	▲	32	19	Handle	*	1
3-1	Bearing	▲	32	20	Pull Ring	*	1
3-2	Roller	▲	16	21	Hexagon Nut M6	*	1
4	Bushing	*	16	22	Hex Head Bolt M6x40	*	1
5	Bushing	*	4	23	Handle Bar	*	1
7	Axle	*	4	24	Auxiliary Roller	MH5ERK501G	2
14	Wheel Frame	*	2	25	Anti-skid Pad	MH5ERK502G	1
15	Pivot Rod	*	4	26	Swivel Plate	*	1
16	Pivot Rod	*	1	27	Bearing	MH5ERK503G	1
17	Pin	*	2	28	Roller Frame	*	1

(▲) Available in kit only. Kit consists of one replacement roll assembly.

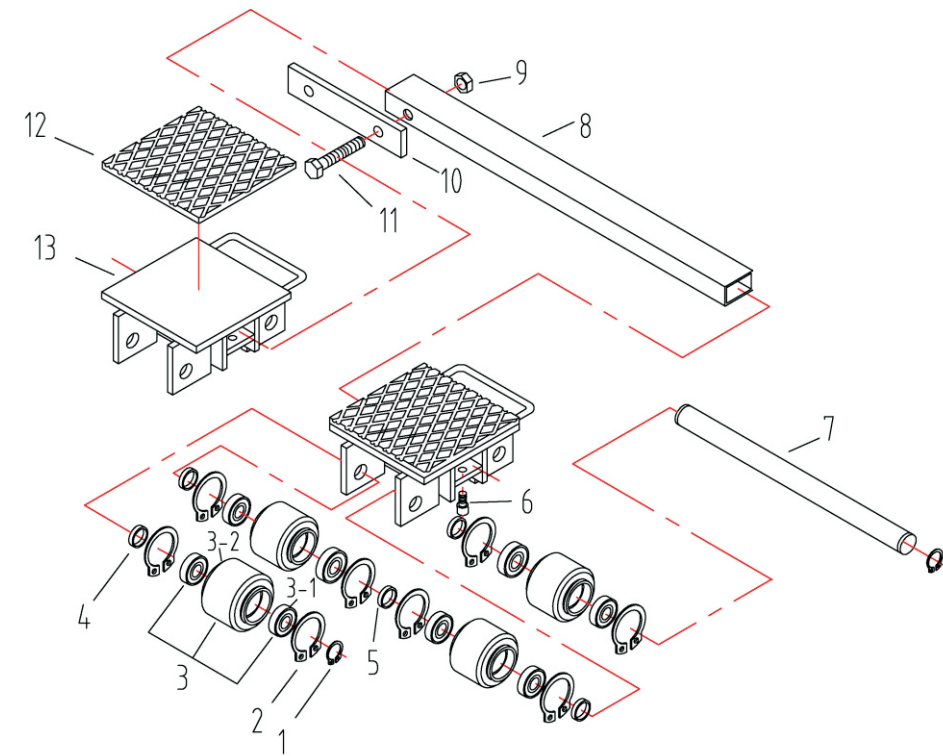
(\* ) Not available as repair part.

**For Repair Parts, Call 1-800-323-0620**

**24 hours a day-365 days a year**

Please provide following information:

- Model number
- Serial number(if any)
- Part description and number as shown in part list



Part description and number as shown in part list

**Repair Parts List for 5ERK6**

Ref. NO.	Description	Part NO.	Qty.	Ref. NO.	Description	Part NO.	Qty.
1	Retaining Ring A25 <b>Roller Kit</b>	MH5ERJ902G MH5ERJ901G	8	7	Axle	*	4
2	Retaining Ring A55	▲	32	8	Connecting Bar	*	2
3-1	Bearing	▲	32	9	Hex Locking Nut M16	*	2
3-2	Roller	▲	16	10	Link Plate	*	2
4	Bushing	*	16	11	Hex Head Bolt M16x90	*	2
5	Bushing	*	4	12	Anti-skid Pad	MH5ERK601G	2
6	Hex Socket Screw M12x20	*	4	13	Roller Frame	*	2

(▲) Available in kit only. Kit consists of one replacement roll assembly.

(\* ) Not available as repair part.

ENGLISH

ENGLISH

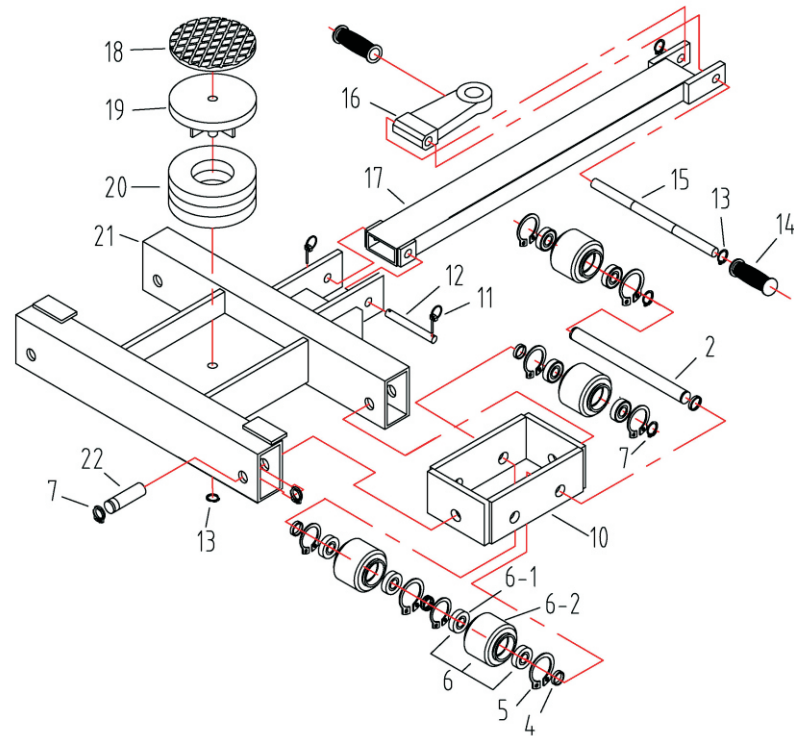
**For Repair Parts, Call 1-800-323-0620**

**24 hours a day-365 days a year**

Please provide following information:

- Model number
- Serial number(if any)
- Part description and number as shown in part list

ENGLISH



Part description and number as shown in part list

**Repair Parts List for 5ERK7**

Ref. NO.	Description	Part NO.	Qty.	Ref. NO.	Description	Part NO.	Qty.
2	Axle	*	4	13	Retaining Ring A25	MH5ERJ902G	3
4	Bushing	*	20	14	Rubber Grip	MH5ERJ903G	2
	<b>Roller Kit</b>	MH5ERK701G		15	Axle	*	1
5	Retaining Ring A70	▲	32	16	Pull Ring	*	1
6-1	Bearing	▲	32	17	Handle Bar	*	1
6-2	Roller	▲	16	18	Anti-skid Pad	MH5ERK703G	1
7	Retaining Ring A35	MH5ERK702G	12	19	Swivel Plate	*	1
10	Wheel Frame	*	2	20	Bearing	MH5ERK704G	1
11	Pin	*	2	21	Roller Frame	*	1
12	Pivot Rod	*	1	22	Pivot Rod	*	4

(▲) Available in kit only. Kit consists of one replacement roll assembly.

(\* ) Not available as repair part.

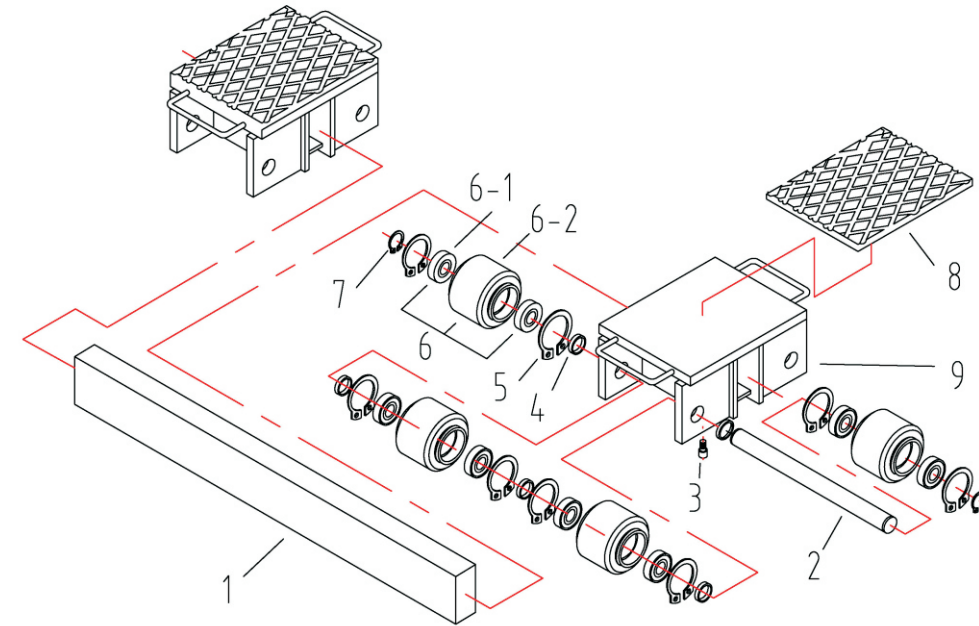
**For Repair Parts, Call 1-800-323-0620**

**24 hours a day-365 days a year**

Please provide following information:

- Model number
- Serial number(if any)
- Part description and number as shown in part list

ENGLISH



Part description and number as shown in part list

**Repair Parts List for 5ERK8**

Ref. NO.	Description	Part NO.	Qty.	Ref. NO.	Description	Part NO.	Qty.
1	Connecting Bar	*	1		<b>Roller Kit</b>	MH5ERK701G	
2	Axle	*	4	5	Retaining Ring A70	▲	32
3	Hex socket Screw M12x20	*	4	6-1	Bearing	▲	32
4	Bushing	*	20	6-2	Roller	▲	16
				7	Rearring Ring A35	MH5ERK702G	8
				8	Anti-skid Pad	MH5ERK801G	2
				9	Roller Frame	*	2

(▲) Available in kit only. Kit consists of one replacement roll assembly.

(\* ) Not available as repair part.



