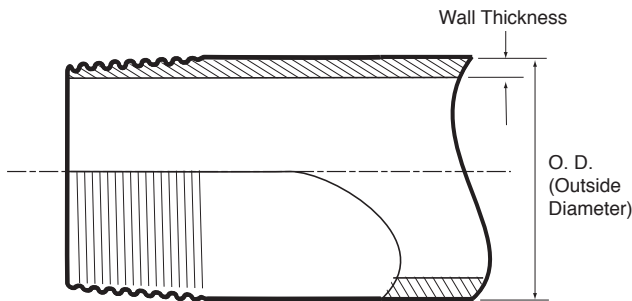


BLACK SCHEDULE 40

10FT WELDED PIPE

Features

- ASTM A-53 Standard Specification for Welded Carbon Steel
- ANSI/ASME B1.20.1 Pipe Threads, General Purpose (INCH)
- Welded
- Max pressure 150 PSI
- Temperature -20°F to 350°F



Dimensions are in inches - Dimensional Spec: (ASTM A 53)

Grainger #	Dia. Size (NPS)	OD (IN)	ID (IN)	Wall Thickness	Weight (LB/FT)	Test (PSI) Pressure
5E550B	1/2	0.84	0.622	0.109	0.85	700
5E551B	3/4	1.05	0.824	0.113	1.13	700
5E552B	1	1.315	1.049	0.133	1.68	700
5E553B	1-1/4	1.66	1.38	0.14	2.27	1200
5E554B	1-1/2	1.9	1.61	0.145	2.72	1200
5E555B	2	2.375	2.067	0.154	3.66	2300

Grainger #	Size (Inches)	Pipe End
5E550B	1/2	Threaded
5E551B	3/4	Threaded
5E552B	1	Threaded
5E553B	1-1/4	Threaded
5E554B	1-1/2	Threaded
5E555B	2	Threaded

Outside diameter: For pipe NPS 1 1/2" and under, the outside diameter at any point shall not vary more than +/- 1/64 in. from the standard specified. For pipe NPS 2" and over, the outside diameter shall not vary more than +/- 1% from the standard specified.

Thickness: The minimum wall thickness at any point shall be not more than 12.5% under the nominal wall thickness specified.

CHEMICAL REQUIREMENTS (ASTM A53)

COMPOSITION MAX									
GRADE	%C	%MN	%P	%S	%CU *	%NI *	%CR *	%MO *	%V *
A	0.25	0.95	0.05	0.045	0.40	0.40	0.40	0.15	0.08

* THE COMBINATION OF THESE FIVE ELEMENTS SHALL NOT EXCEED 1.00%

THREADING REQUIREMENTS:

All the threads meet with ANSI/ASME B1.20.1 Pipe threads General Purpose in the following designations:

NPT (National Standard Pipe Taper) or

NPS (National Standard Pipe Straight) according to the customer requirements.