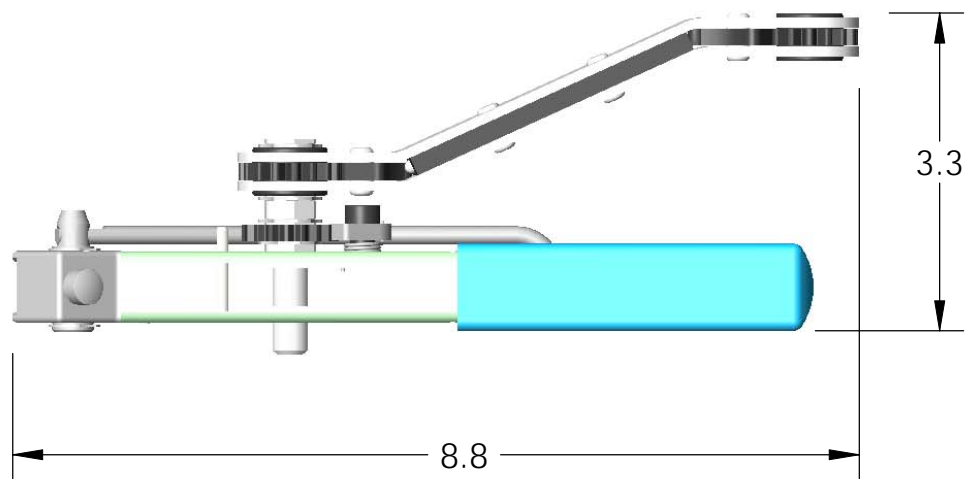
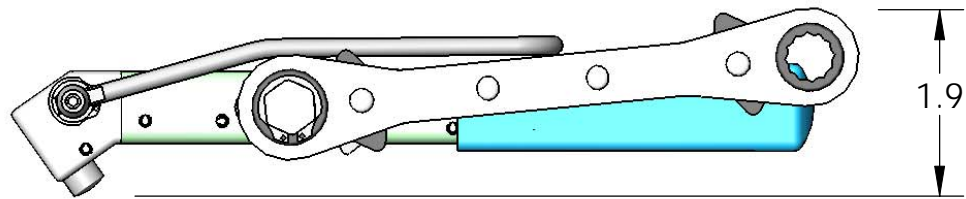


CUSTOMER SPECIFICATION DRAWING



NOTES:

1. BOX CONTENTS: TOOL AND INSTRUCTION SHEET.
2. WEIGHT: 1.38 LBS.

UNLESS OTHERWISE NOTED:
DIMENSIONS ARE IN INCHES
AFTER FINISH

TOLERANCES:

.X ±0.100
.XX ±0.020
.XXX ±0.005
.XXXX ±0.001
ANGLES ±0.5°

BAND-IT®

A unit of IDEX Corporation
P.O. Box 16307
Denver, Colorado U.S.A.

PROPRIETARY AND CONFIDENTIAL

THIS DRAWING WITH ALL
CONTENTS IS PROPERTY OF
BAND-IT-IDEX, INC.
REPRODUCTION, DISCLOSURE OR
MFG. OF MATTER SHOWN IS
PROHIBITED WITHOUT WRITTEN
PERMISSION.
DO NOT SCALE DRAWING

TITLE:

**TIE-LOK HAND TOOL,
3/8" , BOXED**

DWG. NO.

GRTL38

REV --

SHEET 1 OF 1