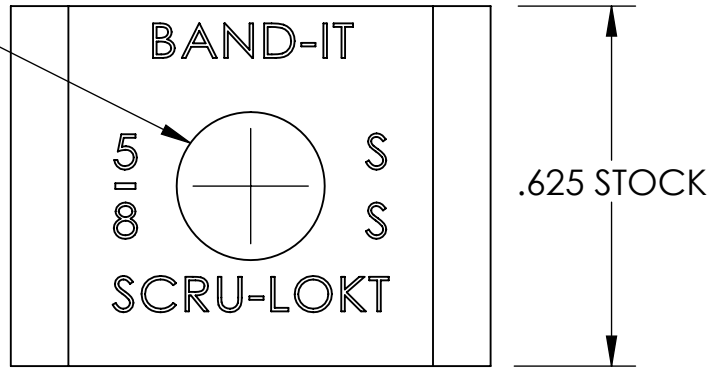
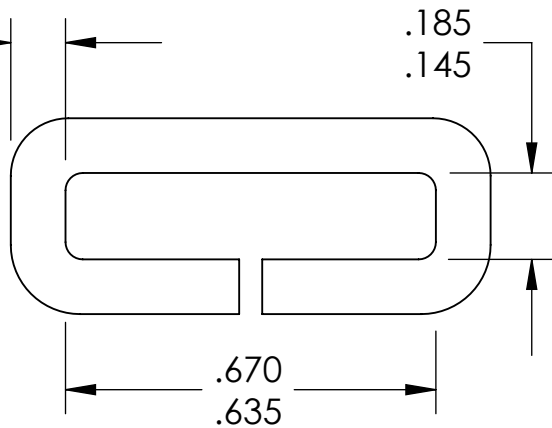


CUSTOMER SPECIFICATION DRAWING

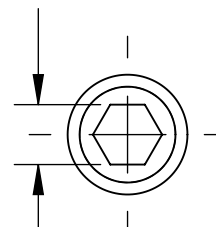
5/16 - 18 UNC
THD THRU



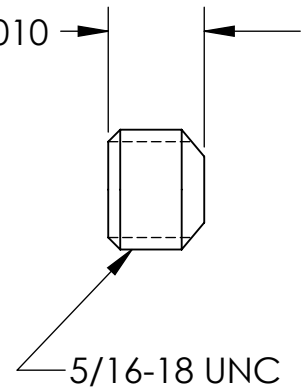
.098
.090 STOCK



.250±.010



5/32"
HEX



NOTES:

1. QUANTITY: 10/BAG
2. SCRUI-LOKT BUCKLES SUPPLIED WITH 5/32" HEX KEY AND SET SCREWS.
3. MATERIAL: PER BAND-IT SPECIFICATIONS
BUCKLE - 201SS ANNEALED STAINLESS STEEL
SET SCREW - 302 OR 303 STAINLESS STEEL

UNLESS OTHERWISE NOTED:
DIMENSIONS ARE IN INCHES
AFTER FINISH

TOLERANCES:

.X ±0.100
.XX ±0.020
.XXX ±0.005
.XXXX ±0.001
ANGLES ±0.5°

BAND-IT®

A unit of **DEX** Corporation
P.O. Box 16307
Denver, Colorado U.S.A.

PROPRIETARY AND CONFIDENTIAL

THIS DRAWING WITH ALL
CONTENTS IS PROPERTY OF
BAND-IT. REPRODUCTION,
DISCLOSURE OR MFG.
OF MATTER SHOWN IS PROHIBITED
WITHOUT WRITTEN PERMISSION.

DO NOT SCALE DRAWING

TITLE:

**BUCKLE, SCRUI-LOKT,
5/8", GRAINGER**

DWG. NO.

GRC725

REV -

SHEET 2 OF 2