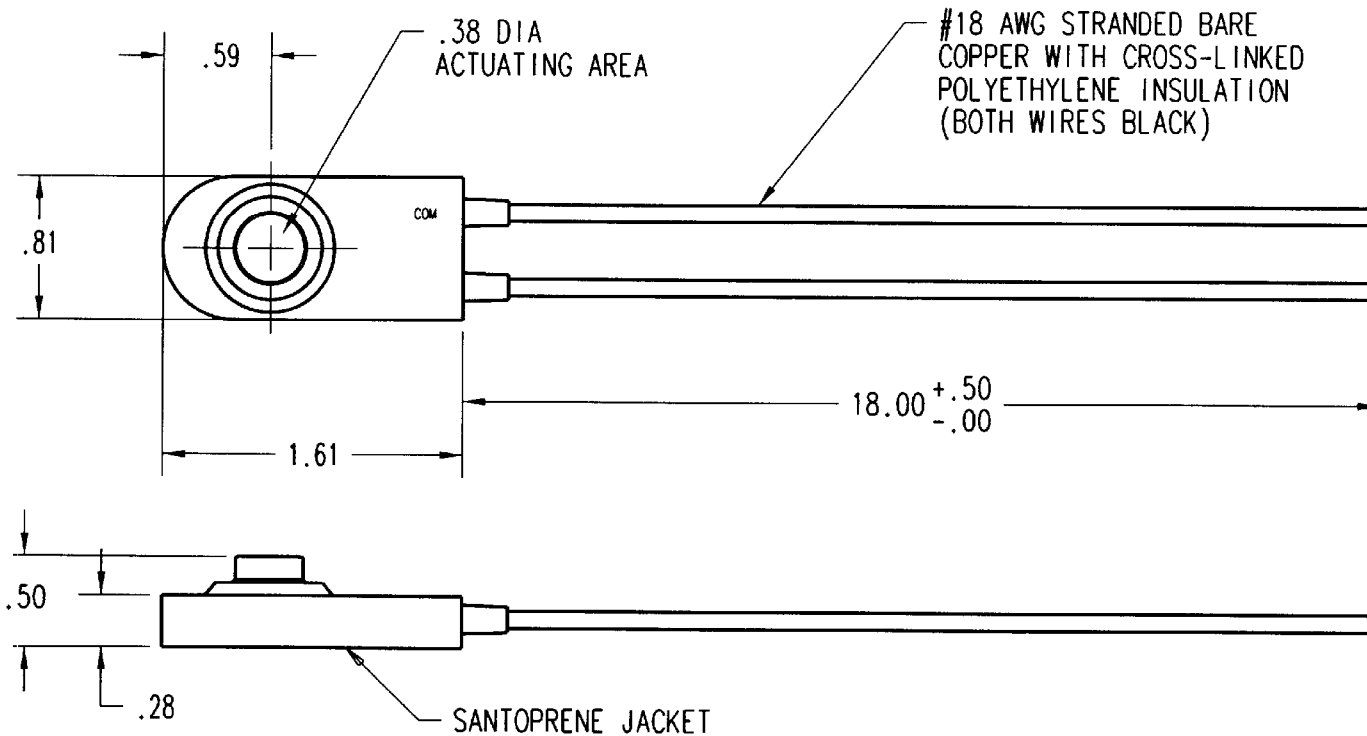


DRAWING NO.

B7151-516



NOTES:

1. SWITCH IS COMPLETELY WATERPROOF.
2. SWITCH CONTACT ARRANGEMENT: NORMALLY OPEN
3. ELECTRICAL RATING: 28VDC/120VAC
5 AMPS RESISTIVE, 3 AMPS INDUCTIVE
4. WIRE CONNECTIONS MUST BE SEALED TO MAINTAIN THE WATERPROOFNESS OF THE SWITCH.
5. PROPER APPLICATION OF THIS PRODUCT IS THE RESPONSIBILITY OF THE USER.

REV	DESCRIPTION	DATE	BY	APP	UNLESS OTHERWISE SPECIFIED DIMENSIONS ARE IN INCHES	APPROVALS	DATE	CPI CONTROL PRODUCTS, INC. EAST HANOVER, NEW JERSEY WWW.CPI-NJ.COM	
					TOLERANCES ARE: .X ± .1 .XX ± .03 .XXX ± .015 ANG ± 5°	DRAWN RWD	9/21/09	TITLE WATERPROOF SWITCH, N.O, INSTALLATION DRAWING	
					MATERIAL	CHECKED			
					FINISH AND HEAT TREAT	ISSUED ECN5525 ROK	9/28/09	SIZE A SCALE NONE DRAWING NO. B7151-516 SHEET 1 OF 1	
REVISIONS						DO NOT SCALE DRAWING			
THE INFORMATION FURNISHED HEREIN IS THE PROPERTY OF CONTROL PRODUCTS, INC. AND SHALL NOT BE USED, DISCLOSED TO OTHERS, OR COPIED WITHOUT THE EXPRESS WRITTEN CONSENT OF CONTROL PRODUCTS, INC.									