

Straight Blade Devices 30A, 125/250V, 3 Pole, 4 Wire Grounding Plug

HUBBELL

Features

- Catalog number, ratings and certifications molded in face
- Gripping ribs provide secure gripping area
- Supertough nylon housing

Ordering Information

Description	Cord Diameter	UPC	Catalog Number
Plug, nylon, angle, 4-position	.625"-1.310" (15.9-33.3)	783585015446	HBL9432C

Listings

UL Listed File E1706
Certified to CSA

Specifications

Housing	Supertough Nylon
Blade Holder	Reinforced Thermoplastic Polyester
Blades	Brass
Box Terminals	Copper Alloy
Cord Clamps	Reinforced Thermoplastic Polyester

Performance

Electrical

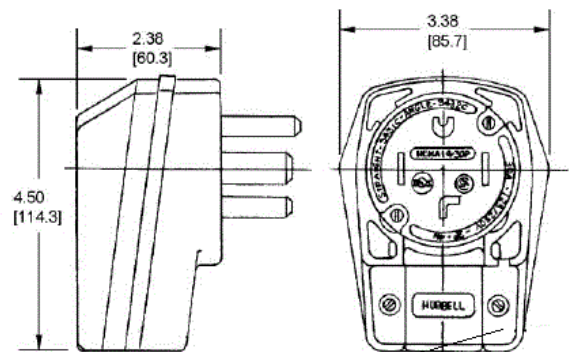
Current Interrupting	Certified for current interrupting at full rated current
Dielectric Voltage	Withstands 2,000V minimum

Mechanical

Product Identification	Ratings are a permanent part of the device
Terminal Accommodation	#12 AWG through #4 AWG copper wire only
Terminal Identification	Terminals identified in accordance with UL 498 and CSA

Environmental

Flammability	UL 94 HB
IP Suitability	IP20
Operating Temperatures	Maximum continuous 75°C; minimum -40°C (w/o impact)



CORD GRIP RANGE
Ø.625 TO Ø1.310
[15.88] [33.27]

Resources

Customer Use Drawing
eCatalog

Dimensions in Inches (mm)

Hubbell Wiring Device-Kellems • Hubbell Incorporated (Delaware) • 40 Waterview Drive • Shelton, CT 06484

Phone (800) 288-6000 • Fax (800) 255-1031 • Specifications subject to change without notice.

