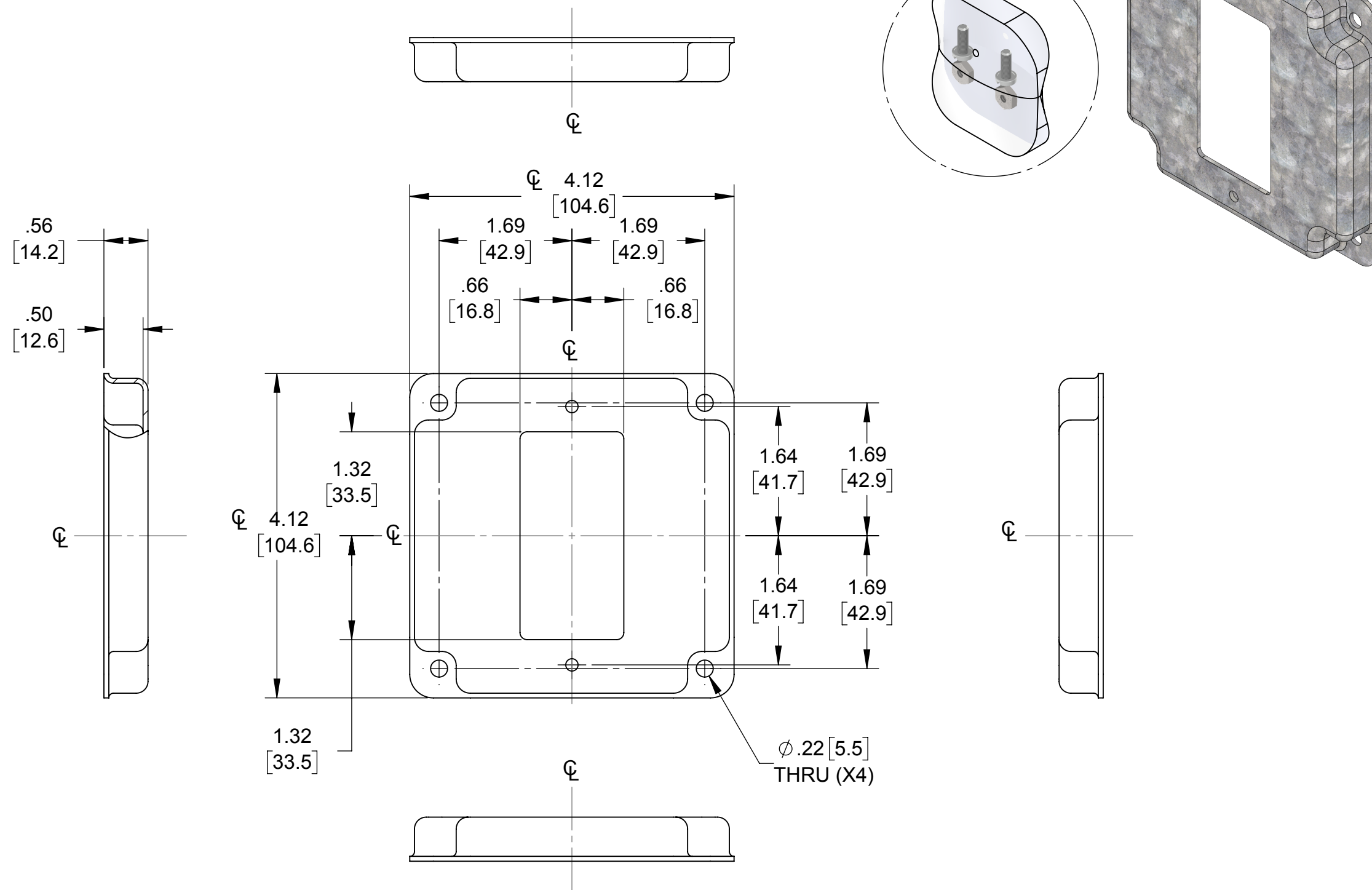


**LIST OF PARTS**

DESCRIPTION	MATERIAL	FINISH
COVER	STEEL	GALVANIZED
SCREWS	STEEL	GALVANIZED
NUTS	STEEL	GALVANIZED

#6-32 X 11/32" SLOTTED BINDER HEAD  
MACH. SCR W/UNDERCUT (QTY. 2)  
#6-32 UNC NUT WITH LOCKING  
SERRATIONS (QTY. 2)



- NOTES:  
 1. ALL DIMENSIONS ARE IN INCHES AND [MILLIMETERS]  
 2. BOX VOLUME: 6.5 IN<sup>3</sup> [107] CM<sup>3</sup>  
 3. UL LISTED

	INITIAL RELEASE	RMV	03-06-17
SYM.	REVISION DESCRIPTION	APP	DATE

THE DESIGN AND DIMENSIONS OF THE PRODUCT SHOWN ON THIS DRAWING ARE SUBJECT TO CHANGE WITHOUT NOTICE

TITLE:  
**4" SQ. CRUSHED CORNER COVER,  
 (1) GFCI**

TOLERANCE UNLESS OTHERWISE SPECIFIED

.XX DECIMAL ±.015  
 .XXX DECIMAL ±.005  
 ANGLE ±2°

**RACO**  
 South Bend, Indiana

DRAWN BY:	RMV	SCALE:
APP. BY:	RMV	1:1.5
DATE:	03-06-17	