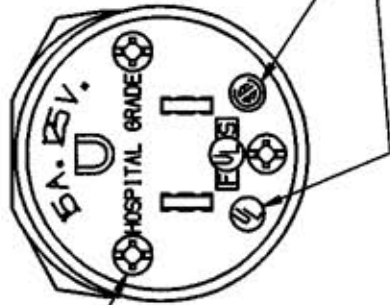
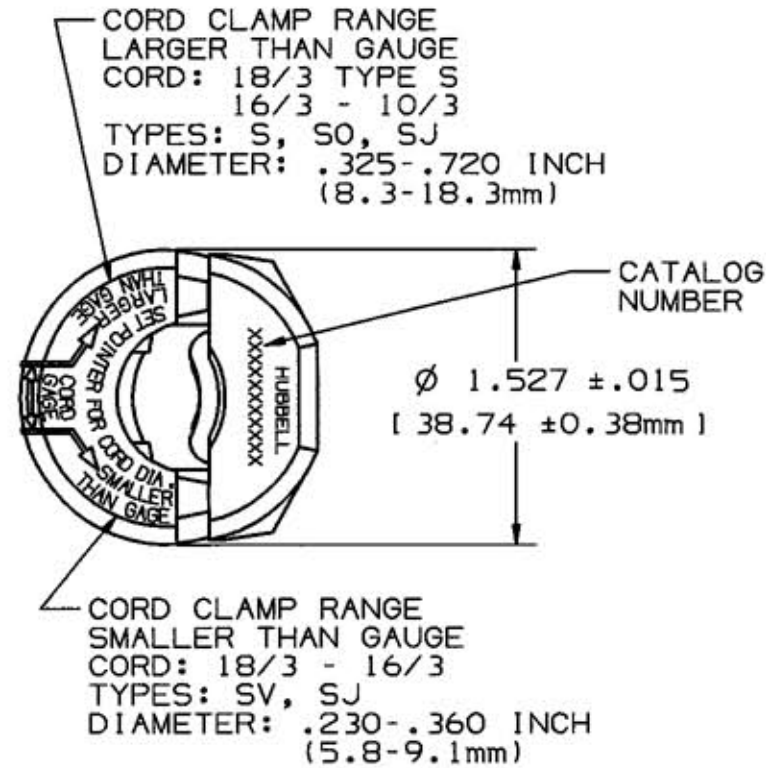
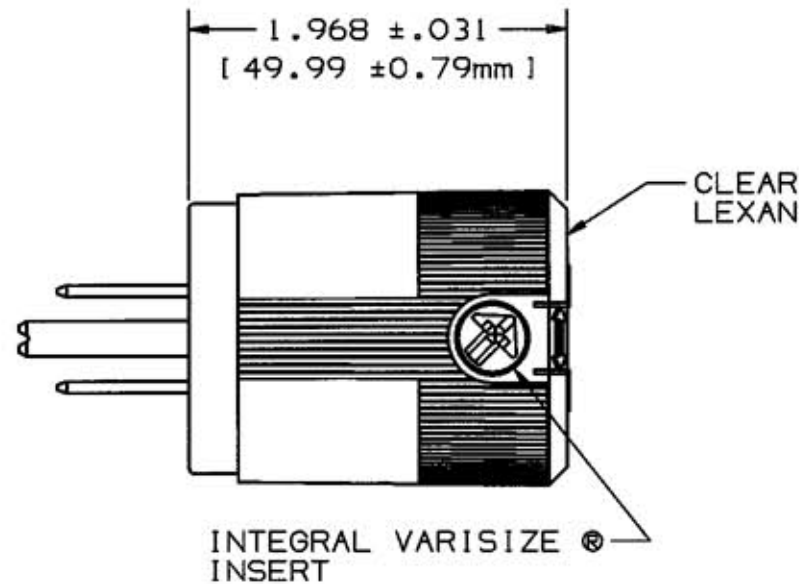
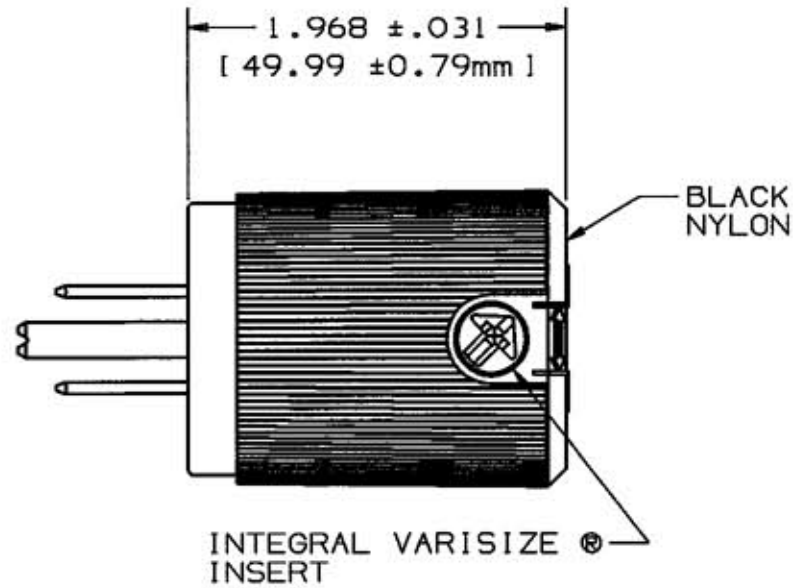


M-7289 4

AGENCY LISTING PER TABLE



ALL SCREWS ARE COMBINATION ROBERTSON/PHILLIPS/SLOTTED HEAD



LIST OF PARTS

DESCRIPTION	MATERIAL	FINISH
BLADE HOLDER	NYLON	NATURAL
RETAINER	POLYCARBONATE	CLEAR
COVER	POLYCARBONATE	CLEAR
COVER	NYLON	BLACK
INSERT	NYLON	BLACK
CORD CLAMP	NYLON	NATURAL
WIRE CLAMP	.080 CRS	NICKEL PL
CONTACT BLADE	.060 BRASS	*
GROUND CONTACT BLADE	.040 BRASS	
BINDING SCREW	BRASS	*
GROUND HEX HEAD BINDING SCREW	BRASS	GREEN
CORD CLAMP SCREWS	STEEL	ZINC PL
ASSY SCREWS	STEEL	ZINC PL

*WHITE FINISH ON NEUTRAL PARTS

SYM	REVISIONS	APP	DATE
4	IN LIST OF PARTS, "POLYCARBONATE WAS "LEXAN" IN 2 PLACES; PER DCN #8998.	CJC LSC	2/19/02
3	OBSOLETE CANADIAN CAT NO'S CHANGED SCREWS TO TRI-DRIVE PER DCN #7773 AMZ	DB	7/24/00
2	ADDED CANADIAN CAT. NO. (BLACK COVER & INSERT) COLUMN TO TABLE PER DCN #3415 RCM	ZIMM	3/27/95
1	"X" REMOVED PER DCN #3255 RCM	ZIMM	1/12/95

THE DESIGN AND DIMENSIONS OF THE PRODUCT SHOWN ON THIS DRAWING ARE SUBJECT TO CHANGE WITHOUT NOTICE

TITLE INSULGRIP ® HOSPITAL GRADE 2 POLE 3 WIRE GROUNDING STRAIGHT BLADE PLUG

TOLERANCES UNLESS OTHERWISE SPECIFIED

FRACTIONS ±1/64
DECIMALS ±.005
ANGLES ±2°

WIRING DEVICE-KELLEMS HUBBELL INCORPORATED BRIDGEPORT, CT

DR. BY RCM APP. BY ZIMM
TR. BY SCALE $\frac{1}{2}$
CHK'D BY ZIMM DATE 1/12/95

CAT. NO. (BLACK COVER & INSERT)	CAT. NO. (CLEAR COVER & BLACK INSERT)	CANADIAN CAT. NO. (BLACK COVER & INSERT)	CANADIAN CAT. NO. (CLEAR COVER & BLACK INSERT)	CONFIGURATION	RATING	UL	CSA
HBL8215C	HBL8215CT	HBL8215CCN	HBL8215CTCN	NEMA 5-15P	15A. 125V.	YES	YES
HBL8315C	HBL8315CT			NEMA 5-20P	20A. 125V.	YES	YES