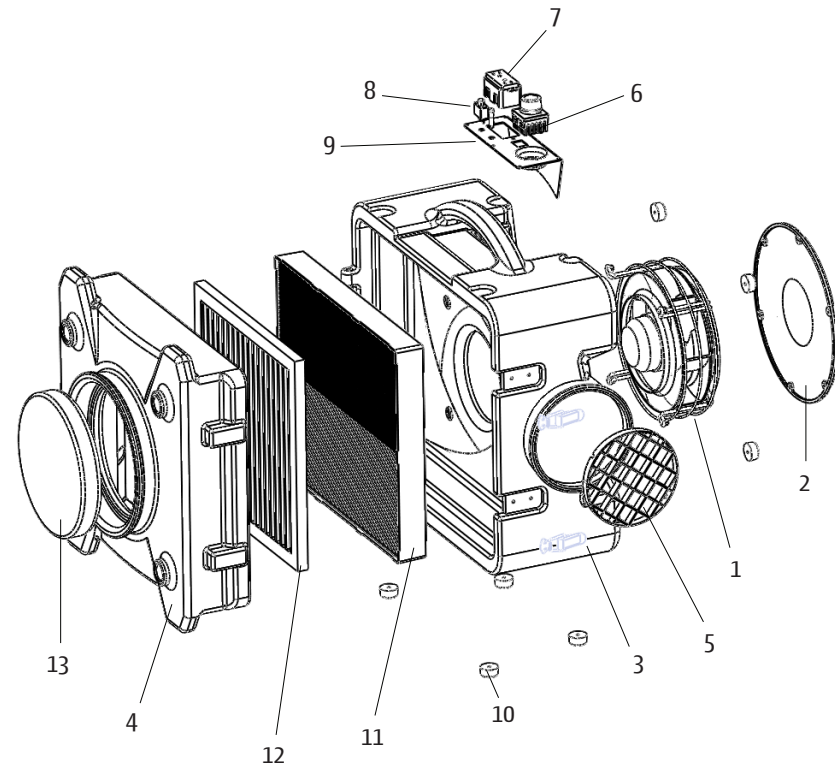


Unit Assembly



Number	Description	Part Number	Quantity
1	Motor	AS-01	1
2	Motor Cover	AS-02	1
3	Housing	AS-03-C	1
4	Filter Cover	AS-04	1
5	Exhaust Grill	AS-05	1
6	Power Switch	AS-06	1
7	GFCI	SA-01	1
8	Circuit Breaker	AS-07	1
9	Hour Meter	AS-08	1
10	Rubber Feet	AS-09	8
11	Hepa Filter	AS-10	1
12	Pre-Filter	AS-11	1
	Optional Carbon Filer	AS-11-C	1
13	Intake Plug	AS-12	1

Warranty Policy

1-Year Coverage

Subject to the conditions stated below, BlueDri® offers a limited warranty on parts and labor on the following equipment, parts and accessories to be free from defects in material and workmanship for a period of one year to the original purchaser.

5-Year Coverage

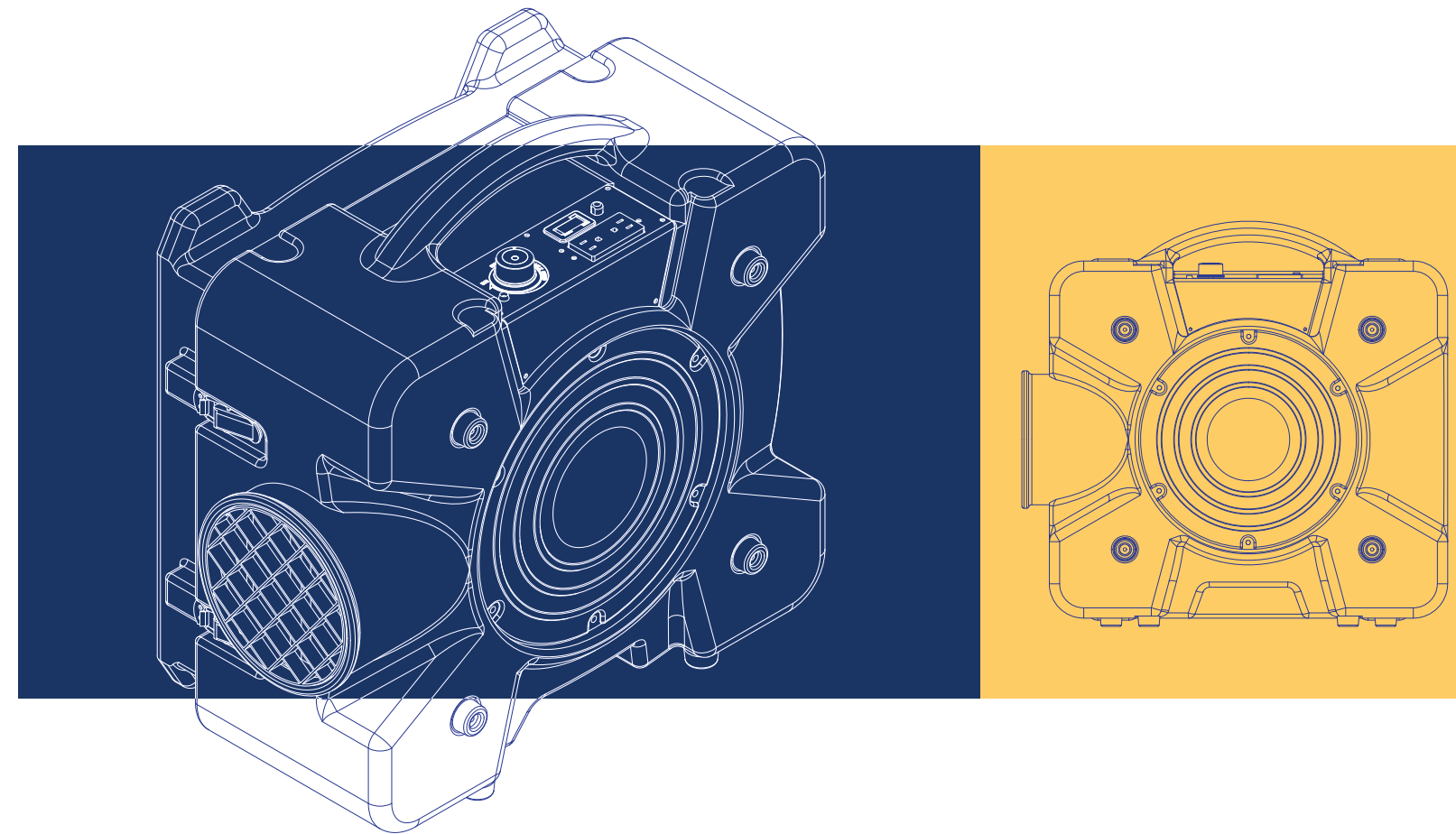
Subject to the conditions stated below, BlueDri® warrants parts and labor on rotationally molded housings to be free from defects in materials and workmanship for a period of five years to the original purchaser.

Wear items exempt from warranty consideration include but may not be limited to: power cords, transport wheels, castors, handle grips, filters, screens, brushes and carbon brushes. Subject to the conditions and exceptions stated in this warranty, BlueDri® warrants the BlueDri® products to be free from defects in material and workmanship, under normal use and service, for the periods listed under the warranty policy to the original purchaser. At any time during the warranty period, BlueDri® will furnish replacement parts for the BlueDri® products to the original purchaser. Such parts will be furnished and charged including transportation costs, to the original owner. If the original part is returned within the warranty policy period from date of delivery for inspection by BlueDri® and is found to be defective, the owner will be credited for the cost of replacement parts plus shipping and handling. Replacement parts that have become defective through wear or abuse are not included in this warranty. This warranty does not apply to damage or defect caused by accident, misuse, negligence, fire or to any BlueDri® product which has been serviced or repaired by other than an authorized BlueDri® Service Distributor or BlueDri® factory personnel. This warranty is void if products are used for any purpose other than that which was intended. There are no other warranties expressed or implied. In no event shall BlueDri® be liable for incidental or consequential damages or any damage to person or property. (Please note some states do not allow the exclusion or limitations for incidental and consequential damages.)

Owner's Manual

AIR SHIELD 550

HEPA AIR SCRUBBER BD-AS550



Read and save these instructions.

Read all warnings and instructions before using this unit.

The HEPA Air Scrubber is a portable filtration system that removes airborne particles including mold, pet dander, dust, pollen, drywall dust, and other miscellaneous debris as small as 0.3 microns. The AS-550 utilizes up to 3 stages of filtration including a pre-filter, optional 2nd stage, and a HEPA filter. The AS-550 will create cleaner air in any environment. The pre-filter and second stage filter capture larger particles and the HEPA filter captures smaller particles.

Warnings!

- Do not move or carry the Air Scrubber while it is operating. When the Air Scrubber is operating, the powerful airflow can cause unpredictable movement.
- NEVER allow children to play with or around the Air Scrubber. Do not alter or modify your Air Scrubber in any way. Use only replacement parts authorized by BlueDri®. Modifications or use of unauthorized parts could create a hazard and will void your warranty.

Store the Air Scrubber in a clean, dry environment. Do not store outdoors or allow water inside the unit's motor. If the motor becomes wet, allow it to thoroughly dry before use.

- The Air Scrubber should never be operated near water as it will create a risk of serious injury from electrical shock. Handle unit with care to avoid causing damage or injury.
- The Air Scrubber should always be operated on a flat surface. Do not operate where unit could fall, or on slippery surfaces, as this could increase the chance of injury, fire, or electrical shock.
- Keep all liquids from being drawn into the Air Scrubber and never operate unit without factory installed safety inlet and outlet grills in place.
- Do not use the Air Scrubber near combustible gas, or hot air as unit could melt and cause a fire or electrical hazard.
- Do not take the Air Scrubber apart or repair it unless you are qualified to do so. Never repair or service unit while Air Scrubber is plugged in.
- Make sure the air intake and outlet are free from all materials and away from obstructions, as any restrictions may cause the Air Scrubber to overheat and cause a shock or fire hazard.
- Unplug the Air Scrubber before performing any service or changing filters
- Do not stack more than 2 units high in order to avoid a tipping hazard – falling equipment can cause bodily harm.

Operation

- Place the Air Scrubber upright on a level and stable surface with the handle up.
- Remove the dust cover.
- Plug the Air Scrubber into a grounded 115 volt grounded outlet with the correct voltage and amperage. For maximum protection against electrical shock, ALWAYS use a circuit that is protected by a ground fault circuit interrupter. If you are unsure about the outlet, check with a qualified electrician or service person. Do not use an adapter or extension cord.
- To switch the unit on, locate the control panel and turn the variable speed switch clockwise to the desired speed setting.
- Operate unit until area is clear of unwanted contaminants or until filters need to be changed. The control panel has a filter change light which illuminates when the HEPA filter needs to be changed. See section on changing filters for instructions.

Auxiliary/GFCI Outlet/Daisy Chain

You can interconnect (“daisy-chain”) up to three AS-550's to customize your air filtration needs. The GFCI will “trip” if it detects a sudden “ground fault,” or overload and interrupt the electric current. When the GFCI “trips,” unplug the unit and look for potential hazards such as standing water, frayed cords, or anything that would cause a dangerous electrical problem. If such a situation exists, plug the AS-550 into a different outlet and then push the “reset” button which is located between the 2 outlets on the GFCI. If the unit will not operate check the circuit breaker section below.

Unit Specifications

Certifications	C-ETL-US
Motor Rating	.33 hp
Power	115 Volts, 60 Hz
Current	2.5 amps
CFM	250-500
Pre Filter	G4
Prime-Filter	H13 (Made in Germany)

Specifications are subject to change without notice.

Read all warnings and instructions before using this unit.

Circuit Breaker Switch

The AS-550 is equipped with a circuit breaker switch to protect the Air Scrubber. The switch is located directly above the GFCI outlet and cuts off power to the unit when it detects an unsafe amount of electricity passing through the unit. If the switch “trips,” unplug the unit and look for potential hazards or anything that may be creating an overload situation. “Reset” breaker by pushing button in and continue normal operation.

Changing Filters

Warning! Contaminated Hazard

Always wear NIOSH compliant protective gear when changing filters and dispose of used filters according to your local regulations.

Filters should be changed after every remediation job and whenever the filter change indicator light comes on. The unit should also be cleaned after each job to prevent cross-contamination.

Make sure the unit is dry before installing clean filters.

To change filters:

- Unplug the Air Scrubber
- Open door by releasing sliding latches outward, away from the air scrubber body.
- Remove used filters and install new filters.
- Latch door closed and plug the unit in a grounded outlet before operating.

Problem	Possible Cause/Solution
Air Scrubber does not turn on	<ul style="list-style-type: none"> Switch not turned on-turn Circuit breaker or GFCI has tripped-push reset button No power to scrubber-make sure unit is plugged in; check power supply Faulty switch-replace
Air Scrubber starts and then shuts off	<ul style="list-style-type: none"> Obstructed inlet/outlet – remove obstruction Faulty motor – replace
Air Scrubber vibrates	<ul style="list-style-type: none"> Motor shaft is bent – replace motor Fan blade is bent – replace Excessive dirt built up on fan blade – clean by wiping with a slightly damp cloth.
Air Scrubber change light illuminated	<ul style="list-style-type: none"> HEPA filter needs replacement – replace Air intake restricted – remove restriction or bends/kinks in ducting
Motor makes noises, but Air Scrubber won't turn on	<ul style="list-style-type: none"> Damaged/faulty motor or motor shaft – replace Broken/loose wire to capacitor – tighten Damaged/faulty capacitor – replace Damaged housing/fan so fan will not spin – replace housing or fan wheel Motor shaft set screw holding fan wheel is loose – tighten

Warning!

For the safe operation of this machine follow the instructions given in this booklet and the training provided. Failure to do so can result in personal injury and/or damage to machine and property!

DO NOT OPERATE MACHINE IN AN EXPLOSIVE ENVIRONMENT!

NOTE: In Canada, the use of a temporary adapter is not permitted by the Canadian Electrical Code.

