



LED AR111

20AR111/LED/930/F25 DIM 12V 6/1FB

With an elegant new design, Philips MasterClass LED AR111 creates a brilliant visual effect. With excellent rendering of 90+ CRI and R9>50, colors stay vibrant and natural, enhancing the appeal of everything on display.

Product data

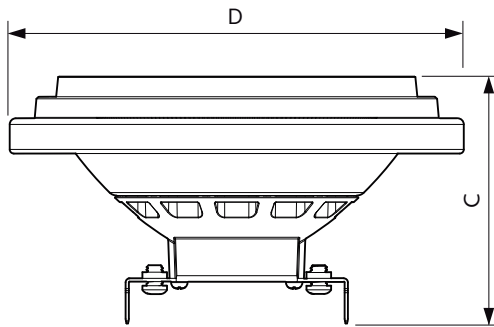
General Information	
Cap-Base	G53 [G53]
EU RoHS compliant	Yes
Nominal Lifetime (Nom)	25000 h
Switching Cycle	50000X
Technical Type	20-100W
Light Technical	
Color Code	930 [CCT of 3000K]
Beam Angle (Nom)	25°
Luminous Flux (Nom)	1200 lm
Luminous Intensity (Nom)	4000 cd
Color Designation	White (WH)
Correlated Color Temperature (Nom)	3000 K
Luminous Efficacy (rated) (Nom)	60.00 lm/W
Color Consistency	<4
Color Rendering Index (Nom)	91
LLMF At End Of Nominal Lifetime (Nom)	70 %
Operating and Electrical	
Input Frequency	- Hz
Power (Nom)	20 W
Lamp Current (Nom)	2400 mA
Wattage Equivalent	100 W

Starting Time (Nom)	0.5 s
Warm Up Time to 60% Light (Nom)	0.5 s
Power Factor (Nom)	0.7
Voltage (Nom)	ac electronic 12 V
Temperature	
T-Case Maximum (Nom)	80 °C
Controls and Dimming	
Dimmable	Yes
Mechanical and Housing	
Bulb Shape	AR111
Approval and Application	
Energy Efficiency Label (EEL)	A
Suitable For Accent Lighting	Yes
Energy Consumption kWh/1000 h	- kWh
Product Data	
Order product name	20AR111/LED/930/F25 DIM 12V 6/1FB
EAN/UPC - Product	046677552398
Order code	929002239904
Numerator - Quantity Per Pack	1

LED AR111

Numerator - Packs per outer box	6
Material Nr. (12NC)	929002239904
Net Weight (Piece)	0.160 kg

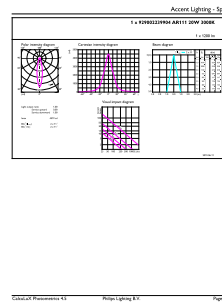
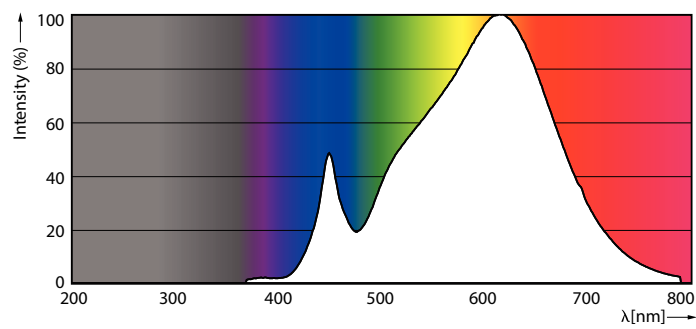
Dimensional drawing



AR111 12V 20-100W 1100lm 25D 3000K G53 D

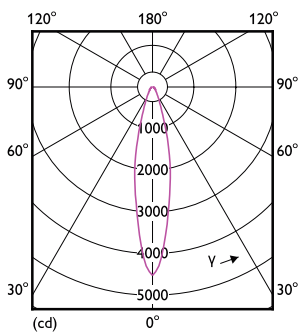
Product	D	C
20AR111/LED/930/F25 DIM 12V 6/1FB	111 mm	62 mm

Photometric data



LEDspots 20W AR111 G53 930 15D

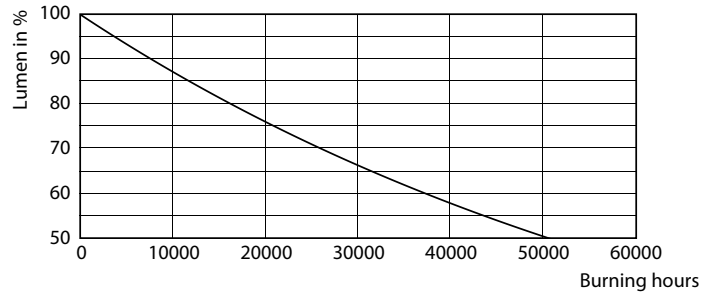
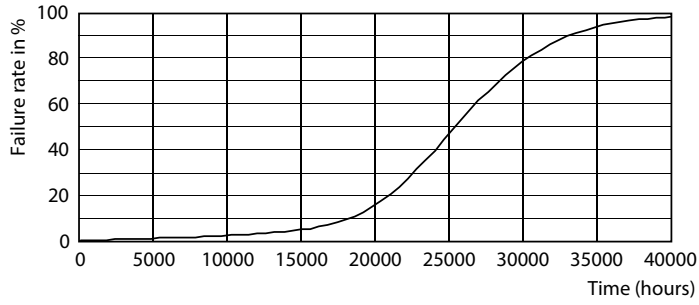
LEDspots 20W AR111 G53 930 25D



LEDspots 20W AR111 G53 930 25D

LED AR111

Lifetime



LEDspots LED 25K

LEDspots LMP 25K

