



LED AR111

16AR111/LED/930/F25/DIM/EC 12V 6/1FB

With an elegant new design, Philips MasterClass LED AR111 creates a brilliant visual effect. With excellent rendering of 90+ CRI and R9>50, colors stay vibrant and natural, enhancing the appeal of everything on display.

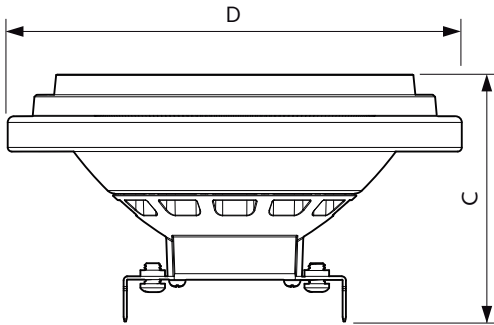
Product data

General Information		Starting Time (Nom)	
Cap-Base	G53 [G53]		0.5 s
EU RoHS compliant	Yes	Warm Up Time to 60% Light (Nom)	0.5 s
Nominal Lifetime (Nom)	40000 h	Power Factor (Nom)	0.7
Switching Cycle	50000X	Voltage (Nom)	ac electronic 12 V
Technical Type	16-75W	Temperature	
		T-Case Maximum (Nom)	74 °C
Light Technical		Controls and Dimming	
Color Code	930 [CCT of 3000K]	Dimmable	Yes
Beam Angle (Nom)	25 °	Mechanical and Housing	
Luminous Flux (Nom)	900 lm	Bulb Shape	AR111
Luminous Intensity (Nom)	3500 cd	Approval and Application	
Color Designation	White (WH)	Energy Efficiency Label (EEL)	A
Correlated Color Temperature (Nom)	3000 K	Suitable For Accent Lighting	Yes
Luminous Efficacy (rated) (Nom)	56.00 lm/W	Energy Consumption kWh/1000 h	- kWh
Color Consistency	<4	Product Data	
Color Rendering Index (Nom)	97	Order product name	16AR111/LED/930/F25/DIM/EC 12V 6/1FB
LLMF At End Of Nominal Lifetime (Nom)	70 %	EAN/UPC - Product	046677552428
Operating and Electrical		Order code	929002239104
Input Frequency	- Hz	Numerator - Quantity Per Pack	1
Power (Nom)	16 W		
Lamp Current (Nom)	1800 mA		
Wattage Equivalent	75 W		

LED AR111

Numerator - Packs per outer box	6
Material Nr. (12NC)	929002239104
Net Weight (Piece)	0.160 kg

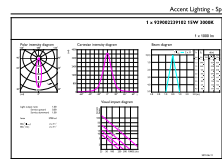
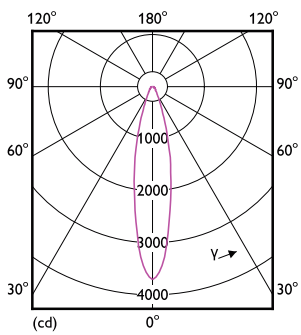
Dimensional drawing



AR111 12V 15-75W 900lm 24D 3000K G53 D

Product	D	C
16AR111/LED/930/F25/DIM/EC 12V 6/1FB	111 mm	62 mm

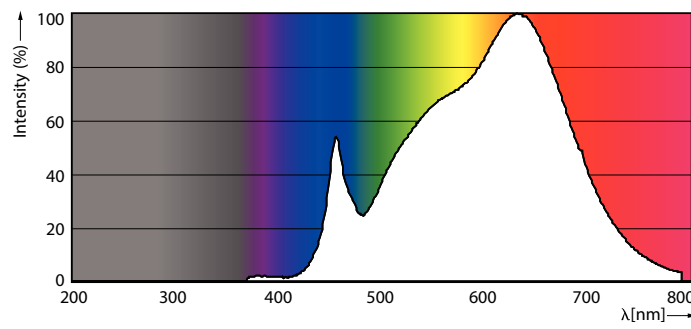
Photometric data



Accent Lighting - Spots
1 x 16AR111/LED/930/F25/DIM/EC 12V 6/1FB
Page 17

LEDspots 75W G53 AR111 930 24D

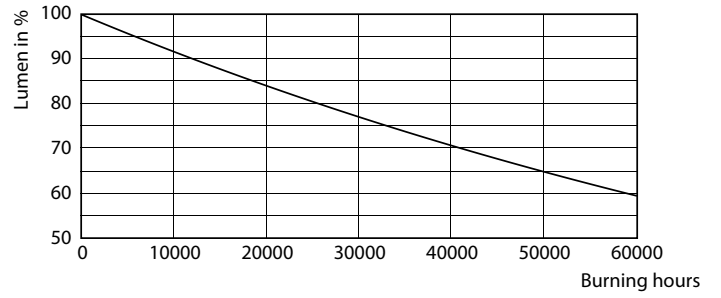
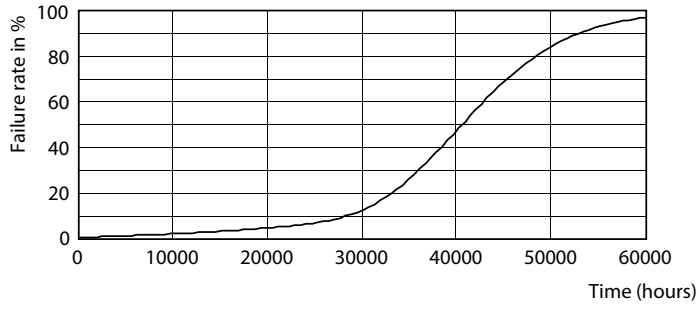
LEDspots 75W G53 AR111 930 24D



LEDspots 75W G53 AR111 930

LED AR111

Lifetime



LEDspots LED 40K

LEDspots LMP 40K

