

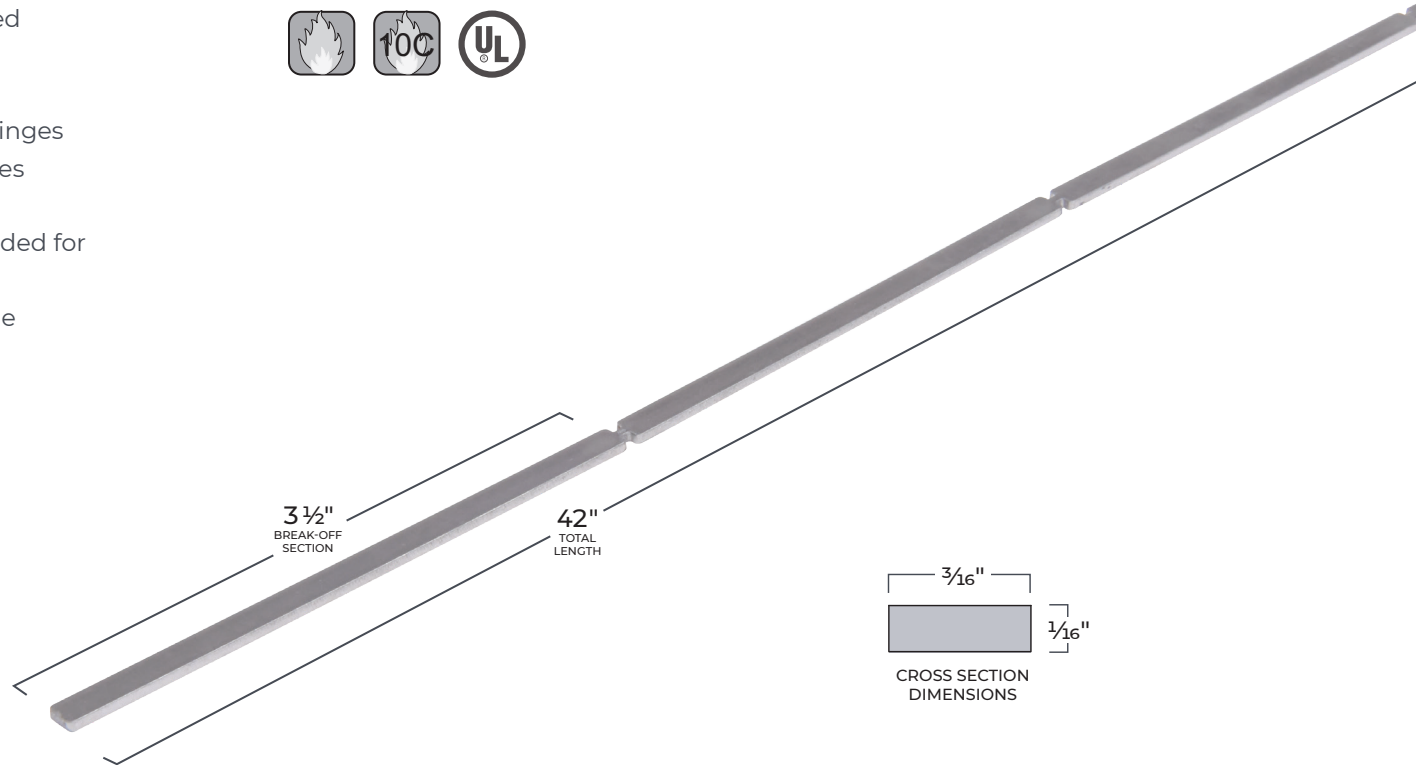


HS-1

Steel Hinge Shims

PRODUCT CUT SHEET

- ▶ Use to Shim Hinges to Achieve Required Clearances Between Door and Frame
- ▶ Dual Purpose Shim
 - Use Full 42" Length for Continuous Hinges
 - Break-Off 3 1/2" Sections for Butt Hinges
- ▶ Steel Fire-Rated Shims
- ▶ Pressure Sensitive Adhesive Pads Included for Holding in Place During Installation
- ▶ Removable, Re-Stickable, and Stackable
- ▶ Available in Boxes of Ten



| |
|---------------|
| PROJECT: |
| SUBMITTED BY: |
| DATE: |
| NOTES: |

NGP MEMPHIS
4985 East Raines Road
Memphis, TN 38118
orders@ngp.com

NGP VEGAS
4584 Calimesa Street
Las Vegas, NV 89115
vegasorders@ngp.com

NGP-GAP-HS-1-PCS-1020-A

ngp.com
1-800-NGP-RUSH