



## Whitehall Ligature Resistant Corterra™ Corner Basin ADA Compliant

Model WH3776L  
 WH3776R



• Patented D840,523

WH3776L-WH3375L-SO

Fixture May Show Some Available Options

**Ligature Resistant Corterra™ Corner Basin** is engineered to combine the look and feel of commercial grade designer basins and countertops with durability and economy in mind. Each standard height Washbasin complies with ANSI, UFAS, and ADA requirements. Compliance is subject to the interpretation and requirements of the local code authority.

**Countertop and Basin** Color furnished is Blanco (White). Basin includes ligature resistant side splashes, overflow, grid strainer, waste piping and 1-1/2" P-Trap.

**Optional Ligature Resistant Sensor Activated Faucet Model WH3375L-SO** recommended for patient bathrooms and facilities where ligature points are a concern. The faucet is designed to retrofit onto existing 4" centerset lavatory decks or can be specified with Whitehall ligature resistant lavatory line. The faucet is chrome plated, lead-free brass. Faucet design is intended to be vandal resistant. Faucet is sensor activated for hands-free operation.

**Optional Mixing Valve WHST70-12** delivers tempered water flow by compensating for pressure and temperature fluctuations and is ASSE 1070 compliant. Valve is to be field set to 105° Fahrenheit and includes strainers and integral checks. Operating range is 30 PSI to 100 PSI.

**Enclosure** conceals P-trap and optional valve assembly and is fabricated from 18 gage, type 304 stainless steel includes an access panel and is powder coated white.

### GUIDE SPECIFICATION

Ligature Resistant Corterra™ Washbasin. Unit with 34" standard rim height to conform with ANSI, UFAS and ADA Accessibility Standards. Provide integral "D" Shaped basin with an integral, rear overflow. Basin, countertop, backsplash and sidesplash to be constructed of Corterra™ solid surface polymer resin. P-Trap enclosure to be constructed of heavy gage, type 304 stainless steel and powder coated white.

### FIXTURE CERTIFICATION

Corterra™ solid surface polymer fixture complies with IAPMO IGC 156, CSA B45 Series, ASME A112.18.1/CSA B125.1

### MATERIAL CERTIFICATION

Material of construction, Corterra™ is flame spread and smoke developed rated "Class A" per the following standards:

- ASTM E84-10
- UL 723
- ANSI/NFPA No. 255
- UBC No. 8-1

Material also complies with Canadian requirements CAN/ULC-S102 for flame spread and smoke developed.

Material of Construction's physical properties in compliance with:

- CSA B45.5/IAPMO Z124
- ANSI/ICPA SS-1

Please visit [www.whitehallmfg.com](http://www.whitehallmfg.com) for most current specifications.



Member of  
 U.S. Green  
 Building  
 Council



Recyclable  
 Product



Water  
 Conserving  
 Product



Federal  
 Public Law  
 111-308  
 (No Lead)





**MODEL NUMBER AND OPTIONS SELECTION:**

**BASE MODEL NUMBER**

- WH3776L Ligature Resistant Corterra™ Corner Basin, Left Corner
- WH3776R Ligature Resistant Corterra™ Corner Basin, Right Corner

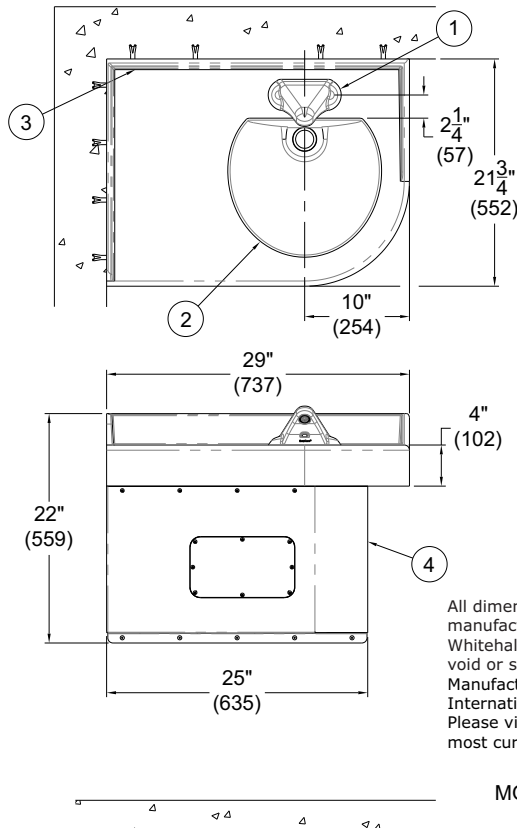
**VALVE SELECTION (Must Specify)**

- WH3376L Air-Control, Single Temp, Meter Conical Sprayhead & Pushbuttons
- WH3376L-PPZ Electronic Valve w/ Piezo Button, Single Temp
- WH3376L-WSF-SO Sensor Operated, Electronic Valve, Single Temp
- WH3377L Air-Control, H&C, Metering w/ Conical Sprayhead & Pushbuttons
- WH3377L-PPZ Electronic Valve w/ Piezo Buttons, H&C
- WH3375L-SO Sensor Operated Spout, Electronic Valve, Single Temp
- WH3375L-SO-BAT Battery Powered, Sensor Operated Spout, Electronic Valve, Single Temp
- 09 Punched for Valve by Others (-H34 Three 1-5/16" Diameter Holes 4" Centerset)

**PRODUCT OPTIONS (Must Specify)**

- BAT Battery Powered
- MC Mounting Carrier
- MXTP Temperature-Pressure Balancing Mixing Valve (ASSE 1070 Compliant)
- OCC Optional Corterra™ Color - Specify \_\_\_\_\_

**See Individual Spec Sheets: WH3373, WH3373-PPZ, WH3373-WSF-SO, WH3374, WH3374-PPZ & WH3375-SO for additional information.**



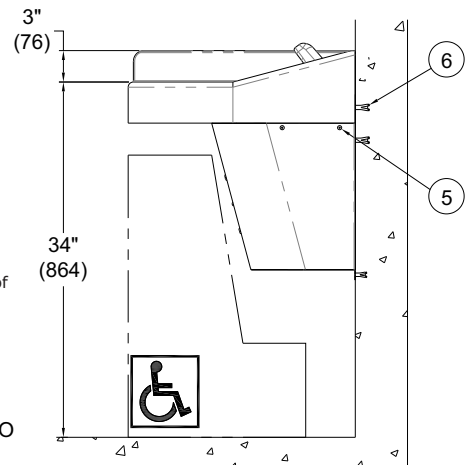
Left Hand Shown,  
 Right Hand Opposite

All dimensions are nominal and subject to manufacturer's change without notice. Whitehall assumes no responsibility for use of void or superseded data © Whitehall Manufacturing, Member of Morris Group International. Please visit [www.whitehallmfg.com](http://www.whitehallmfg.com) for most current specifications.

MODEL# WH3776R-WH3375L-SO

**NOTES:**

1. Ligature Resistant Sensor Activated Faucet (Optional)
2. D-Shaped Bowl
3. Back/Side Splash
4. Ligature Resistant Bottom Enclosure With Access Panel
5. Tamper Resistant Screws
6. Wall Anchoring Hardware (By Others)



**⚠ WARNING: Cancer and Reproductive Harm - [www.P65Warnings.ca.gov](http://www.P65Warnings.ca.gov)**

**DISCLAIMER:**

This product is designed to decrease the probability that it may be utilized as an apparatus for ligature. It is not a replacement for professionals who are trained in the proper evaluation, management and supervision of persons at risk of suicide.

**SELECTION SUMMARY & APPROVAL FOR MANUFACTURING**

Model Number & Options \_\_\_\_\_ Quantity \_\_\_\_\_  
 Company \_\_\_\_\_ Date \_\_\_\_\_  
 Contact \_\_\_\_\_ Title \_\_\_\_\_  
 Approval for Manufacturing/Signature \_\_\_\_\_