



**Whitehall Manufacturing®**  
 Manufacturer of Healthcare and Rehabilitation Products since 1946

**BestCare®**  
 Patients, Not Prisoners®

**Healthcare and Ligature  
 Resistant Products**

Division of  
 Acorn Engineering Company®



A MEMBER OF



## Whitehall Ligature Resistant Stainless Steel Corner Basin ADA Compliant

Model WH3741L  
 WH3741R



• Patented D840,523

WH3741L-WH3375L-SO

Fixture May Show Some Available Options

### Ligature Resistant Corner Stainless Steel Basin

**Ligature Resistant Corner Stainless Steel Basin** is engineered to combine the look and feel of commercial grade designer basins and countertops with durability and economy in mind. Each standard height Washbasin complies with ANSI, UFAS, and ADA requirements. Compliance is subject to the interpretation and requirements of the local code authority.

**Countertop and Basin** are constructed of 16 gage stainless steel with exposed surfaces powder coated white. Basin includes ligature resistant side splashes, overflow, grid strainer, waste piping and 1-1/2" P-Trap.

**Optional Ligature Resistant Sensor Activated Faucet Model WH3375L-SO** recommended for patient bathrooms and facilities where ligature points are a concern. The faucet is designed to retrofit onto existing 4" centerset lavatory decks or can be specified with Whitehall ligature resistant lavatory line. The faucet is chrome plated, lead-free brass. Faucet design is intended to be vandal resistant. Faucet is sensor activated for hands-free operation.

**Optional Mixing Valve WHST70-12** delivers tempered water flow by compensating for pressure and temperature fluctuations and is ASSE 1070 compliant. Valve is to be field set to 105° Fahrenheit and includes strainers and integral checks. Operating range is 30PSI to 300PSI.

**Enclosure** conceals P-trap and optional valve assembly and is fabricated from 18 gage, type 304 stainless steel includes an access panel and is powder coated white.

### GUIDE SPECIFICATION

Ligature Resistant stainless steel Washbasin. Unit with 34" standard rim height to conform with ANSI, UFAS and ADA Accessibility Standards. Provide integral "D" Shaped basin with an integral, rear overflow. Basin, countertop, backsplash and sidesplash to be constructed of type 304 stainless steel. Washbasin shall conform to ANSI Z124.3 and ANSI Z124.6. Trap enclosure to be constructed of 18 gage, type 304 stainless steel and is powder coated white.

Please visit [www.whitehallmfg.com](http://www.whitehallmfg.com) for most current specifications.



Member of  
 U.S. Green  
 Building  
 Council



Recyclable  
 Product



Water  
 Conserving  
 Product



Federal  
 Public Law  
 111-308  
 (No Lead)



Whitehall Mfg. • P.O. Box 3527 • City of Industry, CA 91744 • (800) 782-7706 • (626) 968-6681 • Fax (626) 855-4862

**WH3741**

Revised: 04/22/19



**MODEL NUMBER AND OPTIONS SELECTION:**

**BASE MODEL NUMBER**

- WH3741L Ligature Resistant Stainless Steel Corner Basin, Left Corner
- WH3741R Ligature Resistant Stainless Steel Corner Basin, Right Corner

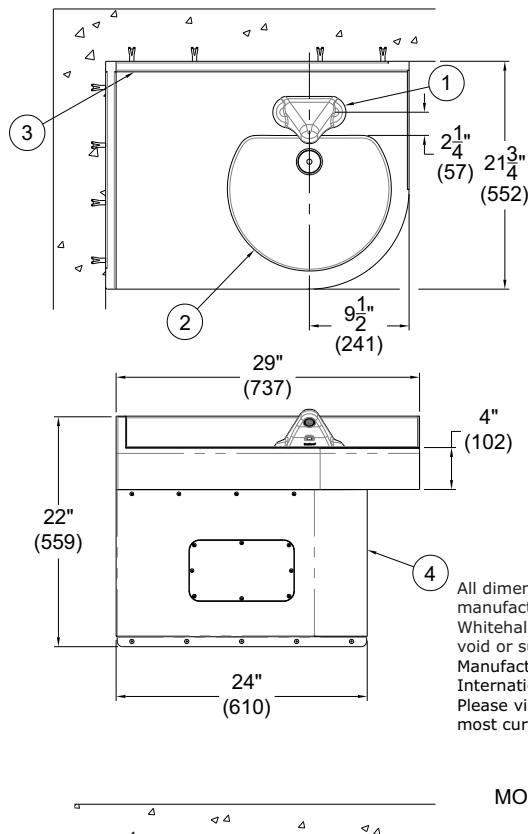
**VALVE SELECTION (Must Specify)**

- WH3376L Air-Control, Single Temp, Meter Conical Sprayhead & Pushbuttons
- WH3376L-PPZ Electronic Valve w/ Piezo Button, Single Temp
- WH3376L-WSF-SO Sensor Operated, Electronic Valve, Single Temp
- WH3377L Air-Control, H&C, Metering w/ Conical Sprayhead & Pushbuttons
- WH3377L-PPZ Electronic Valve w/ Piezo Buttons, H&C
- WH3375L-SO Sensor Operated Spout, Electronic Valve, Single Temp
- WH3375L-SO-BAT Battery Powered, Sensor Operated Spout, Electronic Valve, Single Temp
- 09 Punched for Valve by Others (-H34 Three 1-5/16" Diameter Holes 4" Centerset)

**PRODUCT OPTIONS (Must Specify)**

- BAT Battery Powered
- MC Mounting Carrier
- MXTP Temperature-Pressure Balancing Mixing Valve (ASSE 1070 Compliant)
- OCC Optional Corterra™ Color - Specify \_\_\_\_\_

**See Individual Spec Sheets: WH3373, WH3373-PPZ, WH3373-WSF-SO, WH3374, WH3374-PPZ & WH3375-SO for additional information.**



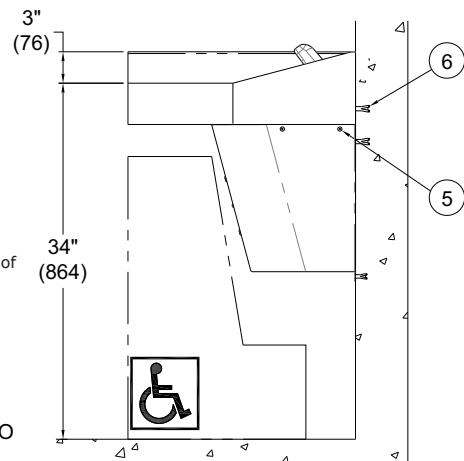
Left Hand Shown,  
 Right Hand Opposite

All dimensions are nominal and subject to manufacturer's change without notice. Whitehall assumes no responsibility for use of void or superseded data © Whitehall Manufacturing, Member of Morris Group International. Please visit [www.whitehallmfg.com](http://www.whitehallmfg.com) for most current specifications.

MODEL# WH3741R-WH3375L-SO

**NOTES:**

1. Ligature Resistant Sensor Activated Faucet (Optional)
2. D-Shaped Bowl
3. Back/Side Splash
4. Ligature Resistant Bottom Enclosure With Access Panel
5. Tamper Resistant Screws
6. Wall Anchoring Hardware (By Others)



**WARNING:** Cancer and Reproductive Harm - [www.P65Warnings.ca.gov](http://www.P65Warnings.ca.gov)

**DISCLAIMER:**

This product is designed to decrease the probability that it may be utilized as an apparatus for ligature. It is not a replacement for professionals who are trained in the proper evaluation, management and supervision of persons at risk of suicide.

**SELECTION SUMMARY & APPROVAL FOR MANUFACTURING**

Model Number & Options \_\_\_\_\_ Quantity \_\_\_\_\_  
 Company \_\_\_\_\_ Date \_\_\_\_\_  
 Contact \_\_\_\_\_ Title \_\_\_\_\_  
 Approval for Manufacturing/Signature \_\_\_\_\_