

MOVINCOOL®

**SPARE PARTS
CATALOG**

CLIMATE PRO® K36

SERIAL NUMBER LOCATION



00 00 0000 000
Month Year Sequential Model
number name

© 2020 DENSO PRODUCTS AND SERVICES AMERICAS, INC. All rights reserved.
MovinCool® and Climate Pro® are registered trademarks of DENSO Corporation.

TABLE OF CONTENTS

SERIAL NUMBER LOCATION _____ 2

Unit Part No: 484000-4680

Unit Serial No. Range: 1219****K36 to Present

Main Structure Parts _____ 4

Bumper Panel Parts _____ 10

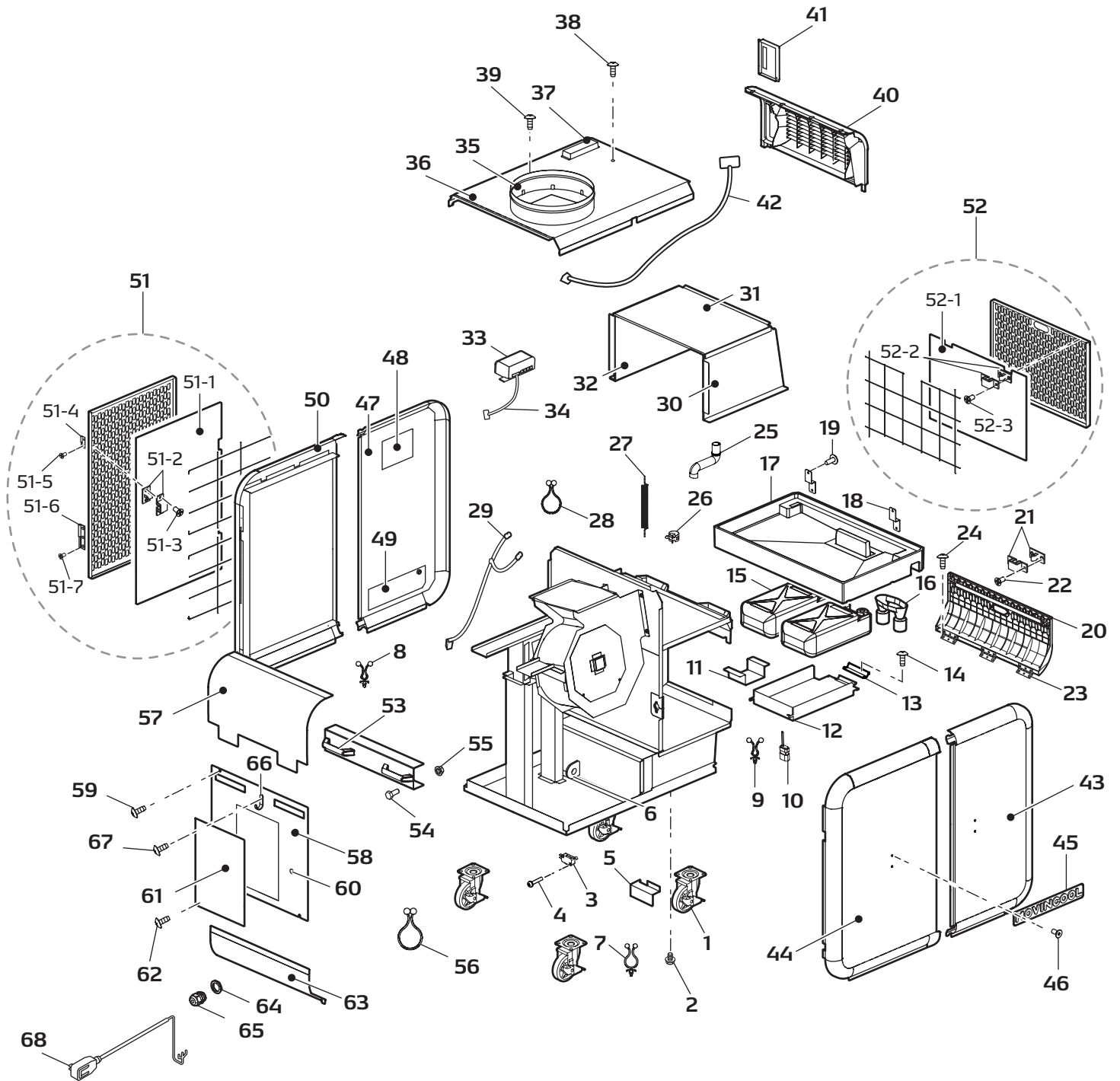
Refrigeration Parts _____ 14

Blower Parts _____ 16

Control Box Parts _____ 18

REFERENCE TABLE _____ 20

Main Structure Parts



Unit Part No: 484000-4680
 Unit Serial No. Range: 1219****K36 to Present

Y033

Main Structure Parts

No.	NAMES OF PARTS	PART No.	QTY	S/N RANGE*1	REMARKS*2
1	Caster, w/Brake	484702-0590	4		
2	Bolt, w/Washer	91470-10201	16		M8 x 1.25, L=20
3	Switch, Drain Tank	484502-0520	1		
4	Screw, w/Washer	91310-03161	2		M3 x 0.5, L=16
5	Bracket	484391-2421	1		
6	Grommet	949320-7481	1		
7	Clamp	482852-0890	4		For Compressor Wire, Φ 16
8	Clamp	482852-0680	1		Φ 11.5
9	Clamp	473459-0050	8		Φ 7
10	Jumper Plug	481950-3710	1		
11	Bracket	484321-5371	1		
12	Frame Sub-Assy	484300-1650	1		
13	Holder	484927-0700	1		
14	Bolt	480919-1820	1		M4 x 0.7, L=10 Black
15	Drain Tank	484730-0020	2		
16	Float	484460-0010	1		
17	Pan Assy, Drain	484430-0920	1		
18	Stay	481821-3950	2		
19	Bolt	480919-1820	4		M4 x 0.7, L=10 Black
20	Drain Tank Cover	484490-1310	1		
21	Latch & Strike	484927-1580	2		
22	Screw	949006-3330	4		M4 x 0.7, L=6
23	Hinge	484912-0200	3		
24	Screw	949006-3330	6		M4 x 0.7, L=6
25	Hose, Drain	484432-0330	1		
26	Hose, Clip	949351-0810	1		
27	Spring, Tension Coil	484917-0280	2		For Drain Tank
28	Clamp	482852-0860	2		Φ 20
29	Thermistor Assy	484540-0100	1		
30	Deflector Assy, Side_1	484300-3960	1		
31	Deflector Assy, Top	484300-3970	1		
32	Deflector Assy, Side_2	484300-3950	1		
33	Communication Module	484500-5011	1		
34	Wire Assy	481950-3541	1		For Communication Module

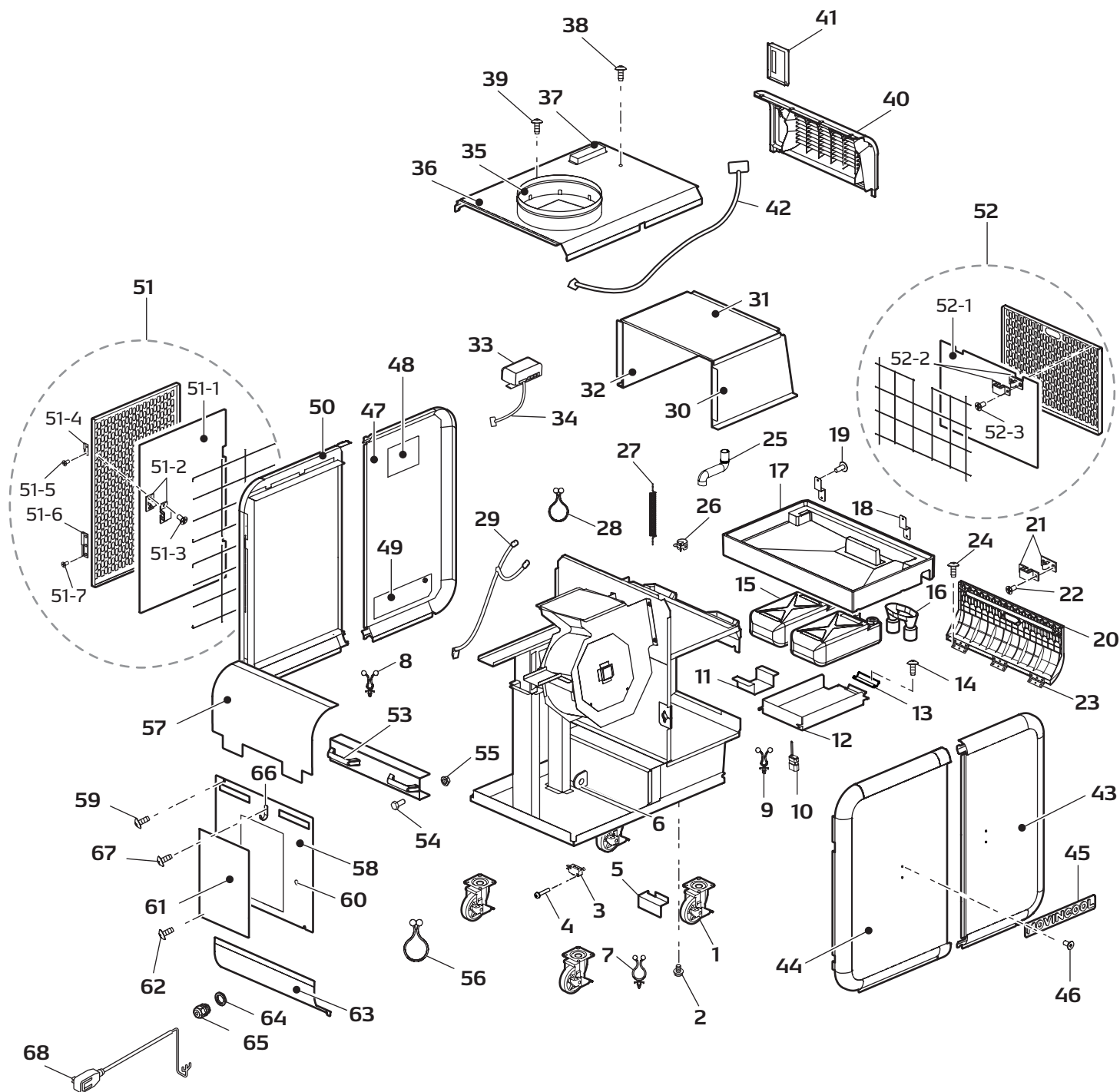
*1 Refer to page 2 for the position of the serial number on the unit. This column shows the first four digits of the serial number.

*2 Refer to the Reference Table on page 20 for more information on the remarks.

Unit Part No: 484000-4680

Unit Serial No. Range: 1219****K36 to Present

Main Structure Parts



Unit Part No: 484000-4680
 Unit Serial No. Range: 1219****K36 to Present

Y033

Main Structure Parts

No.	NAMES OF PARTS	PART No.	QTY	S/N RANGE*1	REMARKS*2
35	Round Duct	484370-0200	1		
36	Panel Sub Assy	484490-1700	1		
37	Antenna	484500-5041	1		w/Wire
38	Screw, Tapping	949006-6750	7		M6 x 1, L=12
39	Bolt	480919-1860	8		
40	Panel Assy, Top Front	484490-1710	1		
41	Controller Assy	484500-5240	1		Operation Panel
42	Wire Assy	481950-3650	1		Main Harness (RB) ↔(CB)
43	Panel Assy_1, Logo Side	484490-1290	1		No.43-1 to 43-14
44	Panel Assy_2, Logo Side	484490-1270	1		No.44-1 to 44-11
45	Logo Plate	484311-4110	1		
46	Screw	91060-04088	6		For Logo Plate, M4 × 0.7, L=8
47	Panel Assy_1, Condenser Side	484490-1260	1		No.47-1 to 47-11
48	Upper Service Panel	484490-1330	1		
49	Lower Service Panel	484470-5890	1		For Pump Installation
50	Panel Assy_2, Condenser Side	484490-1280	1		No.50-1 to 50-17
51	Panel Assy, Condenser Filter	484400-0790	1		Filter Panel, Wire Frame & No.51-1 to 51-7
51-1	Filter, Condenser	484401-2510	1		
51-2	Latch & Strike	484927-1580	2		
51-3	Screw, Tapping	949006-3300	4		M3 x 0.5, L=6
51-4	Hinge	484912-0240	1		
51-5	Screw, Tapping	949006-3300	2		M3 x 0.5, L=6
51-6	Hinge	484912-0230	1		
51-7	Screw, Tapping	949006-3300	3		M3 x 0.5, L=6
52	Panel Assy, Front Filter	484400-0780	1		Filter Panel, Wire Frame & No.52-1 to 52-3
52-1	Filter, Evaporator	484401-2500	1		
52-2	Latch & Strike	484927-1580	2		
52-3	Screw, Tapping	949006-3300	4		M3 x 0.5, L=6

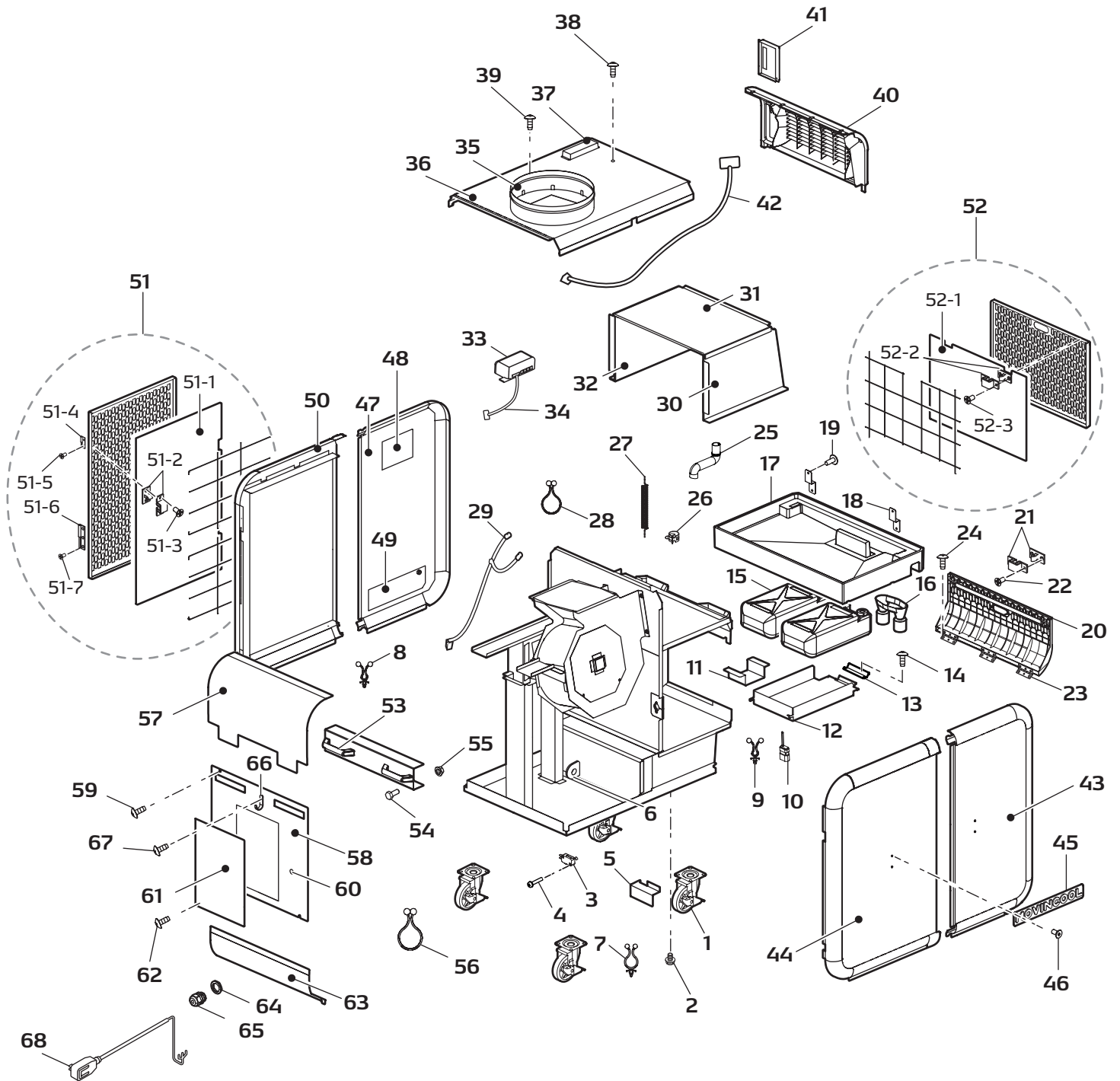
*1 Refer to page 2 for the position of the serial number on the unit. This column shows the first four digits of the serial number.

*2 Refer to the Reference Table on page 20 for more information on the remarks.

Unit Part No: 484000-4680

Unit Serial No. Range: 1219****K36 to Present

Main Structure Parts



Unit Part No: 484000-4680
 Unit Serial No. Range: 1219****K36 to Present

Main Structure Parts

No.	NAMES OF PARTS	PART No.	QTY	S/N RANGE*1	REMARKS*2
53	Handle	484450-0080	4		
54	Bolt	480919-1840	8		For Handle, M8 x 1.25, L=20
55	Nut	92150-08081	8		For Handle
56	Clamp	482852-0970	1		Φ25
57	Panel Assy, Upper Rear	484470-5591	1		
58	Panel Assy, Middle Rear	484490-1740	1		
59	Screw, Tapping	949006-6750	12		M6 x 1, L=12
60	Grommet	484926-0750	1		
61	Panel Assy, Service	484490-1320	1		
62	Bolt	480919-1820	77		M4 x 0.7, L=10 Black
63	Panel Assy, Lower Rear	484470-5600	1		
64	Nut, Holder	484919-0330	1		
65	Grommet	484926-1340	1		
66	Power Cord Holder	484927-1560	1		
67	Screw	91060-04088	2		M4 x 0.7, L=8
68	Wire Assy, Power Cord	481950-3670	1		LCDI

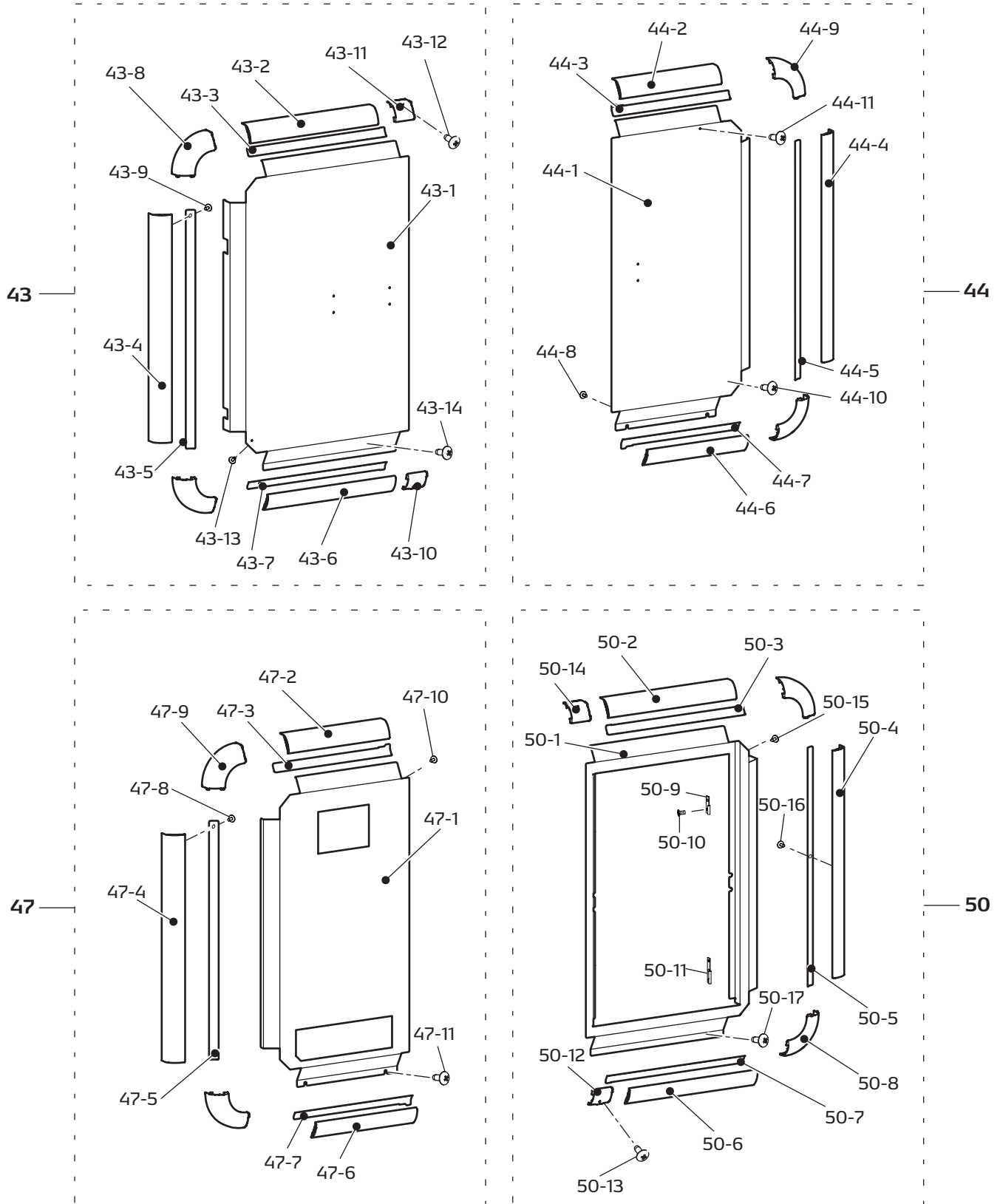
*1 Refer to page 2 for the position of the serial number on the unit. This column shows the first four digits of the serial number.

*2 Refer to the Reference Table on page 20 for more information on the remarks.

Unit Part No: 484000-4680

Unit Serial No. Range: 1219****K36 to Present

Bumper Panel Parts



Unit Part No: 484000-4680
 Unit Serial No. Range: 1219****K36 to Present

Y034

Bumper Panel Parts

No.	NAMES OF PARTS	PART No.	QTY	S/N RANGE*1	REMARKS*2
43	Panel Assy_1, Logo Side	484490-1290	1		No.43-1 to 43-14
43-1	Panel_1, Logo Side	484470-5640	1		
43-2	Upper Bumper_1	484301-7640	1		
43-3	Stay for Upper Bumper_1	484301-7670	1		
43-4	Side Bumper	484301-7560	1		
43-5	Stay for Side Bumper_1	484301-7570	1		
43-6	Lower Bumper_1	484301-7660	1		
43-7	Stay for Lower Bumper_1	484301-7650	1		
43-8	Bumper Corner	484301-7620	2		
43-9	Screw	480919-1720	10		D4, L=8
43-10	Lower Bumper Connection	484301-7690	1		
43-11	Upper Bumper Connection	484301-7680	1		
43-12	Screw, Tapping	480919-1820	2		M4 x 0.7, L=10, Black
43-13	Bolt	480919-1860	9		M4 x 0.7, L=6
43-14	Screw, Tapping	949006-6750	10		For No.43, M6 x 1, L=12
44	Panel Assy_2, Logo Side	484490-1270	1		No.44-1 to 44-11
44-1	Panel_2, Logo Side	484490-1730	1		
44-2	Upper Bumper_2	484301-7580	1		
44-3	Stay for Upper Bumper_2	484301-7610	1		
44-4	Side Bumper	484301-7560	1		
44-5	Stay for Side Bumper_2	484301-7630	1		
44-6	Lower Bumper_2	484301-7600	1		
44-7	Stay for Lower Bumper_2	484301-7590	1		
44-8	Bolt	480919-1860	7		M4 x 0.7, L=6
44-9	Bumper Corner	484301-7620	2		
44-10	Screw	480919-1720	8		D4, L=8
44-11	Screw, Tapping	949006-6750	11		For No.44, M6 x 1, L=12

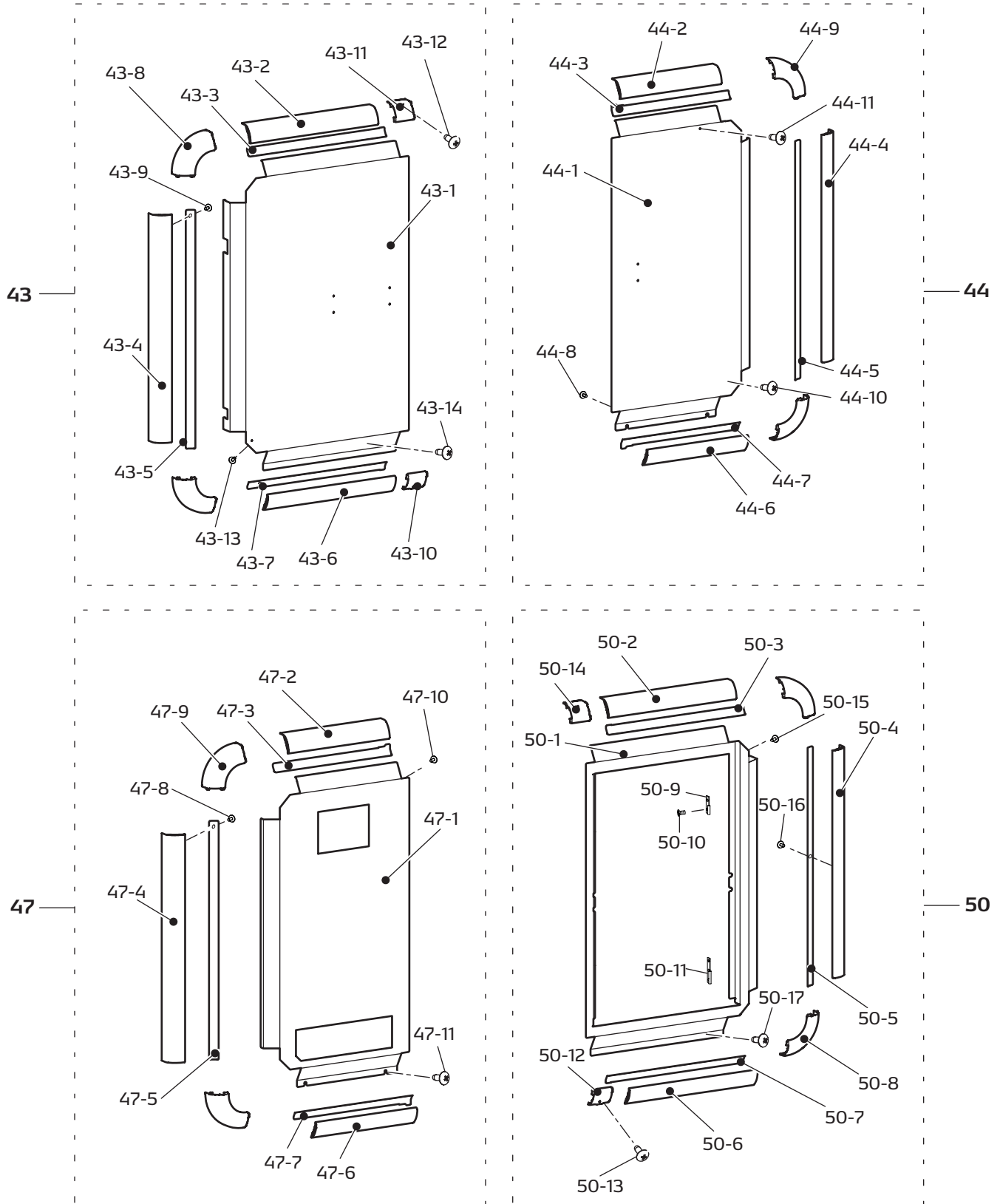
*1 Refer to page 2 for the position of the serial number on the unit. This column shows the first four digits of the serial number.

*2 Refer to the Reference Table on page 20 for more information on the remarks.

Unit Part No: 484000-4680

Unit Serial No. Range: 1219****K36 to Present

Bumper Panel Parts



Unit Part No: 484000-4680
 Unit Serial No. Range: 1219****K36 to Present

Y034

Bumper Panel Parts

No.	NAMES OF PARTS	PART No.	QTY	S/N RANGE*1	REMARKS*2
47	Panel Assy_2, Condenser Side	484490-1260	1		No.47-1 to 47-11
47-1	Panel_2, Condenser Side	484490-1720	1		
47-2	Upper Bumper_2	484301-7580	1		
47-3	Stay for Upper Bumper_2	484301-7590	1		
47-4	Side Bumper	484301-7560	1		
47-5	Stay for Side Bumper_2	484301-7570	1		
47-6	Lower Bumper_2	484301-7600	1		
47-7	Stay for Lower Bumper_2	484301-7610	1		
47-8	Bolt	480919-1860	7		M4 x 0.7, L=6
47-9	Bumper Corner	484301-7620	2		
47-10	Screw	480919-1720	8		D4, L=8
47-11	Screw, Tapping	949006-6750	12		For No.47, M6 x 1, L=12
50	Panel Assy_1, Condenser Side	484490-1280	1		No.50-1 to 50-17
50-1	Panel_1, Condenser Side	484470-5631	1		
50-2	Upper Bumper_1	484301-7640	1		
50-3	Stay for Upper Bumper_1	484301-7650	1		
50-4	Side Bumper	484301-7560	1		
50-5	Stay for Side Bumper_2	484301-7630	1		
50-6	Lower Bumper_1	484301-7660	1		
50-7	Stay for Lower Bumper_1	484301-7670	1		
50-8	Bumper Corner	484301-7620	2		
50-9	Hinge	484912-0220	1		Upper side
50-10	Screw	949006-3300	5		M3 x 0.5, L=6
50-11	Hinge	484912-0210	1		Lower side
50-12	Lower Bumper Connation	484301-7690	1		
50-13	Screw, Tapping	480919-1820	2		M4 x 0.7, L=10
50-14	Upper Bumper Connection	484301-7680	1		
50-15	Bolt	480919-1860	9		M4 x 0.7, L=6
50-16	Screw	480919-1720	10		D4, L=8
50-17	Screw, Tapping	949006-6750	9		For No.50, M6 x 1, L=12

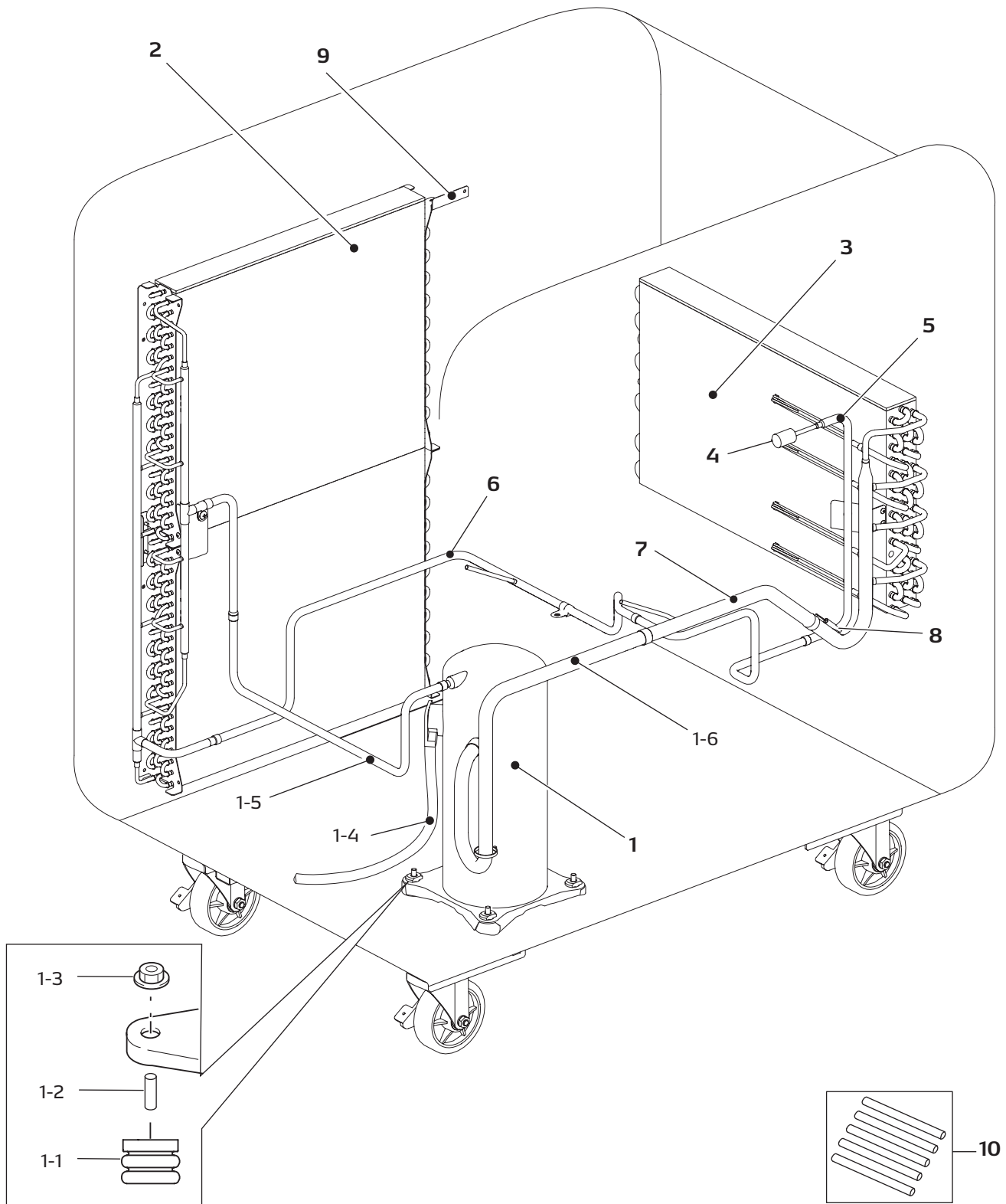
*1 Refer to page 2 for the position of the serial number on the unit. This column shows the first four digits of the serial number.

*2 Refer to the Reference Table on page 20 for more information on the remarks.

Unit Part No: 484000-4680

Unit Serial No. Range: 1219****K36 to Present

Refrigeration Parts



Unit Part No: 484000-4680
Unit Serial No. Range: 1219****K36 to Present

Y035

Refrigeration Parts

No.	NAMES OF PARTS	PART No.	QTY	S/N RANGE*1	REMARKS*2
1	Compressor Assy	484650-3620	1		w/No.1-1 to 1-6
1-1	Cushion	484904-0170	4		
1-2	Collar	484915-0230	4		
1-3	Nut	482814-0300	4		w/Washer, M8
1-4	Wire Assy	481950-3660	1		
1-5	Pipe Assy	480261-8370	1		
1-6	Pipe Assy	480261-8380	1		
2	Core Assy, Condenser	484600-3310	1		
3	Core Assy, Evaporator	484600-3300	1		
4	Switch Assy, Pressure	484660-0720	1		
5	Pipe Assy	484800-6730	1		
6	Pipe Assy	484800-6620	1		
7	Pipe Assy	484800-6640	1		
8	Thermistor Assy	484540-0100	1		
9	Stay	481821-4000	1		
10	Pipe Assy, Charging	484800-0440	1		5 pieces per package

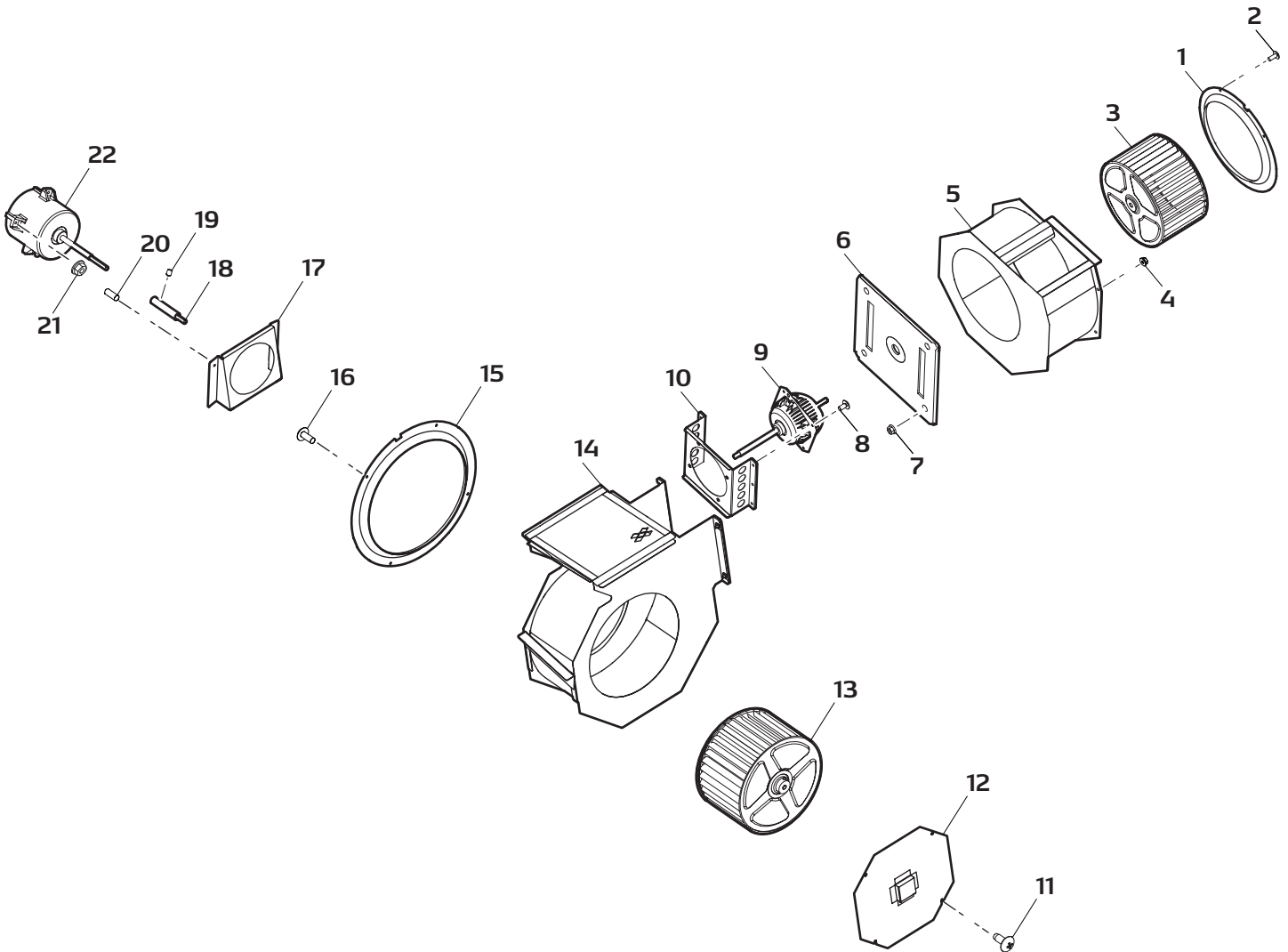
*1 Refer to page 2 for the position of the serial number on the unit. This column shows the first four digits of the serial number.

*2 Refer to the Reference Table on page 20 for more information on the remarks.

Unit Part No: 484000-4680

Unit Serial No. Range: 1219****K36 to Present

Blower Parts



Unit Part No: 484000-4680
Unit Serial No. Range: 1219****K36 to Present

Y036

Blower Parts

No.	NAMES OF PARTS	PART No.	QTY	S/N RANGE*1	REMARKS*2
1	Ring	484381-1310	1		
2	Screw	949006-5850	4		M4 x 0.7, L=10
3	Fan, Evaporator	484221-0940	1		
4	Nut	949056-1501	7		M4
5	Casing Assy, Evaporator Fan	484260-0700	1		
6	Motor Stay	484300-3930	1		
7	Nut	92150-06061	4		M6
8	Bolt, w/Washer	949006-6750	4		M6 x 1, L=12
9	Fan Motor, Evaporator	484210-0560	1		
10	Frame Sub-Assy	484300-3920	1		
11	Bolt	480919-1820	4		M4 x 0.7, L=10, Black
12	Cover, Sub-Assy	484390-1411	1		
13	Fan, Condenser	484221-0950	1		
14	Casing, Condenser Fan	484260-0710	1		
15	Ring	484381-1320	1		
16	Screw	949006-5850	4		M4 x 0.7, L=10
17	Frame Sub-Assy	484310-7190	1		
18	Extension Shaft	484272-0620	1		
19	Set Screw	482803-1380	1		M6, L=8
20	Collar	484915-0500	4		
21	Nut	92150-06061	4		M6
22	Fan Motor, Condenser	484211-2420	1		

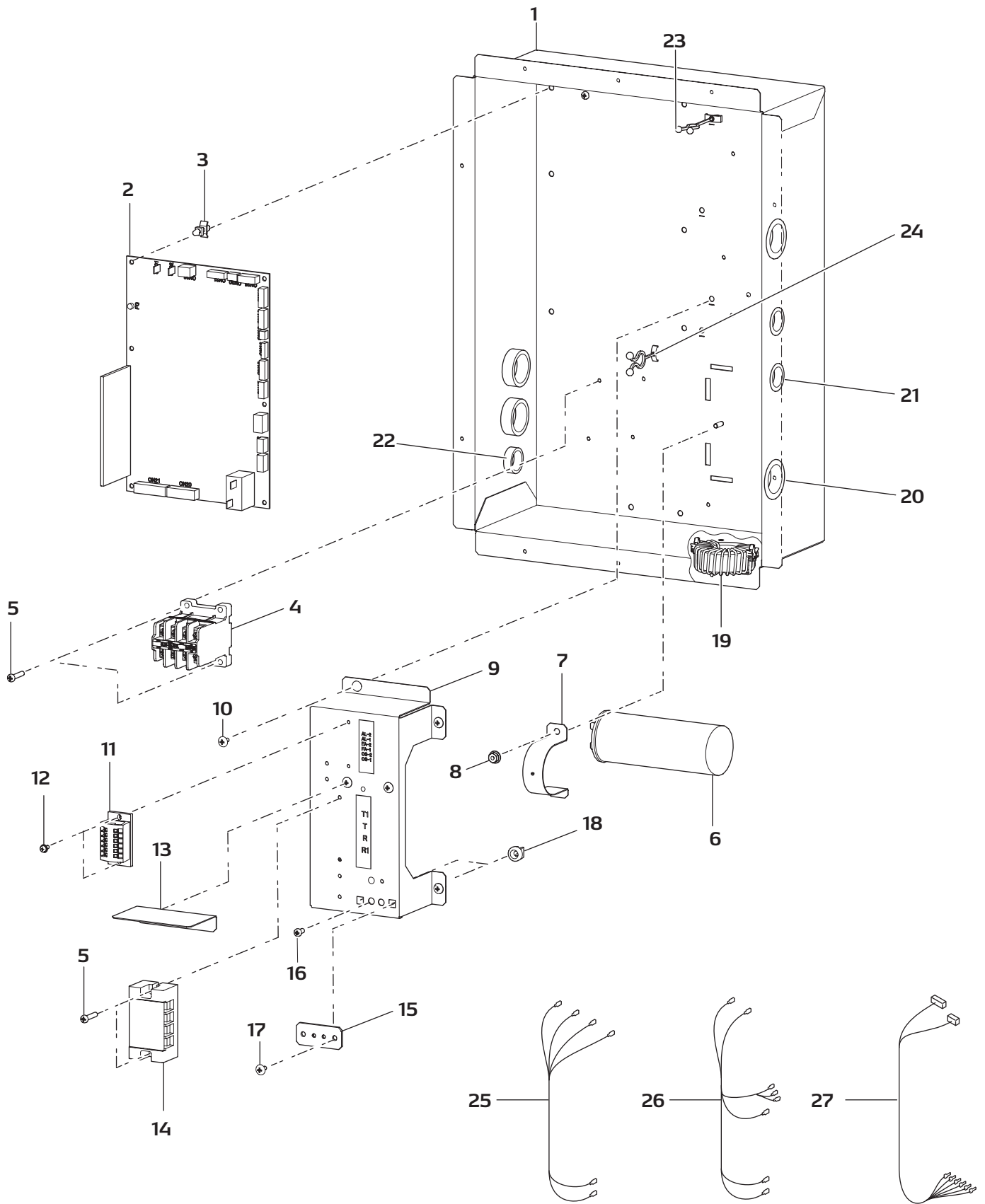
*1 Refer to page 2 for the position of the serial number on the unit. This column shows the first four digits of the serial number.

*2 Refer to the Reference Table on page 20 for more information on the remarks.

Unit Part No: 484000-4680

Unit Serial No. Range: 1219****K36 to Present

Control Box Parts



Unit Part No: 484000-4680
 Unit Serial No. Range: 1219****K36 to Present

Y037

Control Box Parts

No.	NAMES OF PARTS	PART No.	QTY	S/N RANGE*1	REMARKS*2
1	Service Box	484520-1472	1		
2	Relay Board	484500-5320	1		
3	Support	482125-3170	6		
4	Relay	484531-1040	1		
5	Screw	949006-8520	4		Φ4, L=20
6	Capacitor, Compressor	484507-2280	1		370VAC, 45μF
7	Holder	482857-0690	1		
8	Nut	949056-1501	1		
9	Bracket	484320-0980	1		
10	Screw	949006-5850	6		M4 x 0.7, L=10
11	Terminal Block	484503-1570	1		For Input/Output Signal
12	Screw, w/Washer	91370-03081	2		M3 x 0.5, L=8
13	Stay	481821-4020	1		
14	Terminal Block	484503-1600	1		For Power
15	Plate	484311-4170	1		
16	Screw	91051-04080	5		Ground (M4×0.7, L=8)
17	Screw	480919-1720	2		Φ4, L=8
18	Grommet	482836-3520	2		
19	Wire Assy	481950-3720	1		
20	Grommet	484926-0860	4		Φ26
21	Grommet	949321-3000	2		Φ15
22	Grommet	949321-3010	1		Φ19
23	Clamp	482852-0900	1		
24	Clamp	482854-0730	4		
25	Wire Assy	481950-3681	1		(TB)↔(MCC, CC)
26	Wire Assy	481950-3691	1		(TB)↔(RB, MCC)
27	Wire Assy	481950-3701	1		(TB)↔(RB)

*1 Refer to page 2 for the position of the serial number on the unit. This column shows the first four digits of the serial number.

*2 Refer to the Reference Table on page 20 for more information on the remarks.

Unit Part No: 484000-4680

Unit Serial No. Range: 1219****K36 to Present

REFERENCE TABLE

ABBREVIATION	MEANING
CB	Control Board
CC	Capacitor for Compressor
LCDI	Leakage Current Detection Interrupter
MCC	Relay for Compressor and Condenser Fan Motor
RB	Relay Board
TB	Terminal Block

MEMO

DENSO

DENSO PRODUCTS AND SERVICES AMERICAS, INC.

Long Beach, CA 90810
www.movincool.com