

Please read and save these instructions. Read carefully before attempting to assemble, install, operate or maintain the product described. Protect yourself and others by observing all safety information. Failure to comply with instructions could result in personal injury and/or property damage! Retain instructions for future reference.

Dayton® Electric Radiant Ceiling Panels and Optional Mounting Frame Accessories

Description

Dayton radiant heating panels are designed to provide comfort by warming the surfaces below the heaters just as the sun warms surfaces through radiant energy. This heating process heats objects in a room without having to bring the room air temperature up to the same level. These panels are ideal for spot heating in high heat loss areas. Panels may be installed side by side or individually above areas requiring additional heat. If used as a sole source of heat, more heat will be felt while standing directly under the panel.

Although the heater contains thermal insulation, it will operate more efficiently in well insulated rooms. Four or more inches of insulation above an exposed ceiling will increase both comfort and economy.

The heaters are intended to be controlled by a remote wall mounted thermostat. The thermostat should be located in the same room on a side wall five feet above the floor, but not directly under the heater.

Specifications

Model Number	Volts	Watts	BTU/Hr.	Dimensions	
				(in.)	(cm)
54UD14	120	375	1280	24x24x1	61x61x2.5
54UD16	240	375	1280	24x24x1	61x61x2.5
54UD17	277	375	1280	24x24x1	61x61x2.5
54UD15	208	375	1280	24x24x1	61x61x2.5
54UD18	120	750	2560	24x48x1	61x122x2.5
54UD20	240	750	2560	24x48x1	61x122x2.5
54UD21	277	750	2560	24x48x1	61x122x2.5
54UD19	208	750	2560	24x48x1	61x122x2.5

IMPORTANT INSTRUCTIONS

⚠ WARNING *When using electric appliances, basic precautions should always be followed to reduce the risk of fire, electric shock, and injury to persons, including the following:*

1. Read all instructions before installing or using this heater.
2. This heater is hot when in use. To avoid burns, do not let bare skin touch hot surfaces. Keep combustible materials, such as furniture, pillows, bedding, papers, clothes, etc. and

curtains at least 3 feet (0.9 m) from the front of the heater.

3. Extreme caution is necessary when any heater is used by or near children or invalids, and whenever the heater is left operating and unattended.
4. Do not operate any heater after it malfunctions. Disconnect power at main service panel and have heater inspected by a reputable electrician before using.
5. Do not use outdoors.

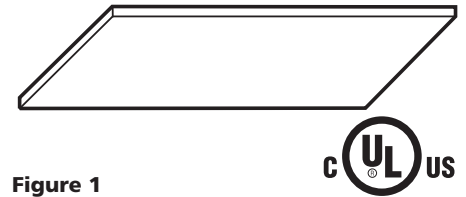


Figure 1

6. To disconnect heater, turn controls to off, and turn off power to heater circuit at main service panel.
7. A heater has hot and arcing or sparking parts inside. Do not use it in areas where gasoline, paint, or flammable liquids are used or stored.
8. Use this heater only as described in this manual. Any other use not recommended by the manufacturer may cause fire, electric shock, or injury to persons.
9. This heater is intended for comfort heating applications and not intended for use in special environments. Do not use in damp or wet locations such as marine or greenhouse or in areas where corrosive or chemical agents are present.
10. When installing, see INSTALLATION INSTRUCTIONS for additional warnings and precautions.
11. For safe and efficient operation, and to extend the life of your heater, keep your heater clean. See MAINTENANCE INSTRUCTIONS.

SAVE THESE INSTRUCTIONS

Dayton® Electric Radiant Ceiling Panels and Optional Mounting Frame Accessories

Installation Instructions

⚠ WARNING *To prevent a possible fire, injury to persons or damage to the heater, adhere to the following:*

1. Disconnect all power coming to heater at main service panel before wiring or servicing.
2. All wiring procedures and connections must be in accordance with the National and Local Codes having jurisdiction and the heater must be grounded.
3. To prevent possible fire due to the overheating of wiring, all field wiring coming to heating panels must be rated at least 90°C when junction box is allowed to lie on top of heating panel or is enclosed between heater and ceiling above. When thermal insulation is used on top of heater, the junction box must be above the insulation.
4. Verify the power supply voltage coming to heater matches the ratings as shown on the heater nameplate.

⚠ CAUTION *Energizing heater at a voltage greater than the voltage printed on the nameplate will damage the heater and void the warranty and could cause a fire.*

⚠ CAUTION *High temperature, risk of fire; keep electrical cords, drapery, furnishings, and other combustibles at least 3 feet (0.9 m) from front of heater. Do not install heater behind doors, below towel racks, or in an area where it is subject to being blocked by furniture, curtains or storage materials. Hot air from the heater may damage certain fabrics and plastics.*

5. To reduce the risk of fire, do not store or use gasoline or other flammable vapors and liquids in the vicinity of the heater.
6. This heater is to be ceiling mounted only and may be recessed or surface mounted as described within this manual. Do not install on walls, floor, etc.
7. The ceiling and the anchoring provisions must be of sufficient strength to support the weight of the heater – 30 lbs (13.6 kg).
8. To prevent a possible injury or fire from falling panels, panels MUST be securely fastened to the building structure.
 - a. **When T-Bar Mounted:** The T-Bar grid work frame must be secured to the building to provide adequate support for the panels. Holes are provided in the sides of each panel for attachment of steel support wires for additional support of the panels where the T-Bar grid work frame strength is questionable. Support wire must be steel and at least 18 gage (0.047 in. dia./ 0.119 cm. dia).
9. The following minimum clearances must be maintained:
 - Bottom of heater to floor - 7' (2134 mm) minimum.
 - Front panel surface and ceiling - 3" (76.2 mm) minimum.
10. Do not use this heater for dry out as the paint, plaster, sawdust and drywall sanding dust will permanently damage the heater and must be kept out of the heater.

NOTE: For a period of time after the panels are put into operation the owner may notice a "new smell" coming from the heaters. This is expected on new installations and will dissipate after approximately 24 hours of operation.

T-BAR MOUNTING

⚠ CAUTION *To prevent possible injury from falling panels, the T-Bar must be securely fastened to the building structure and capable of supporting the weight of the panel (30 pounds). Extra holes are provided for suspending the heater panel (see Figure 2) on steel wires no smaller than No. 18 ga. (0.047 in. diameter / 0.119 cm diameter). These extra support wires must be used where T-Bar strength is inadequate or where vibration is anticipated.*

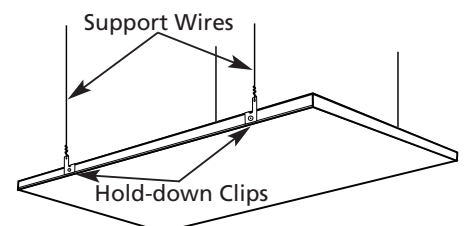


Figure 2

1. The heater panels are designed for installation in T-Bar ceilings.

- b. **When Surface or Recess Mounted:** The surface or recess mounting frame accessory kits (Models ASF . . . or ARF . . .) must be used. Kits must be sized to match heaters being used. Do not drill holes, drive nails, screws, etc., into or through panels. To do so may result in fire, electric shock, or permanent damage to heater. Surface or recess kits must be securely fastened to building structure using a minimum of four (4) 1/4 in. (.635 cm) diameter screws or bolts.

Models 54UD14 thru 54UD21

Installation Instructions (Continued)

2. Three (3) inch (7.62 cm) minimum distance must be provided between the front painted surface and the ceiling above. However, installation may be difficult and six (6) inches (15.2 cm) or more clearance will improve installation of heaters and inspection of wiring. It may be necessary to remove a cross tee for installation when T-Bars are at close distances to the ceiling.
3. Locate T-Bar hanger wires at the corners where the cross tees intersect the main tees so that they do not interfere with installation or removal of panels.

4. The heater panels are supplied with four built-in hanging/hold-down clips which are located on each long side of the heater panel. The clips can be used either to hang the heater with support wires (see Figure 2) or bent as hold-down clips to the T-Bar frame (see Figure 3). Carefully lift heater panel into place, making sure hold-down clips hook securely over T-Bar (see Figure 3).

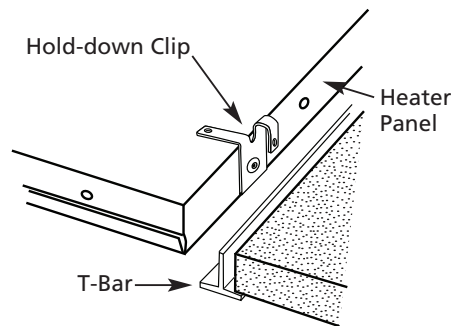
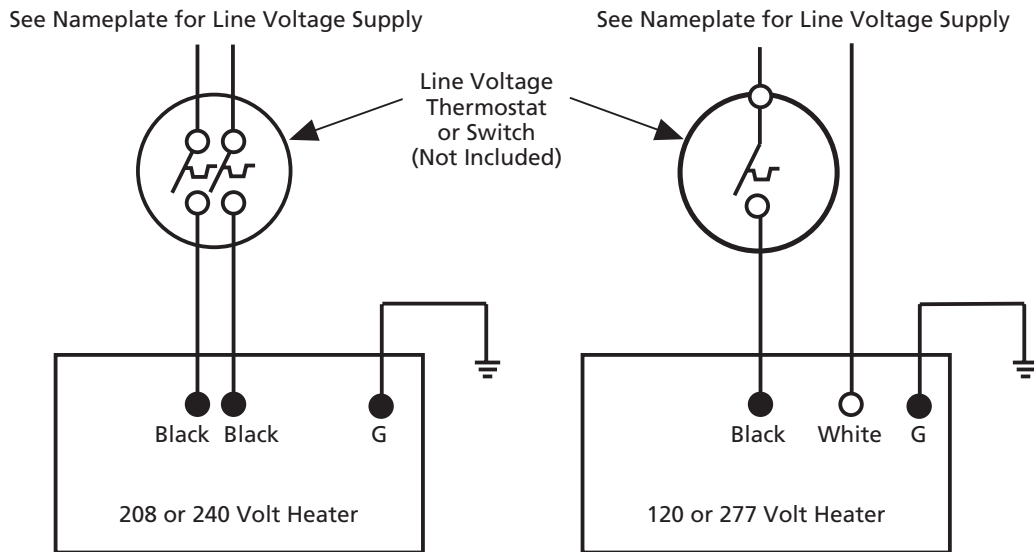


Figure 3

CAUTION To prevent possible injury from electric shock, make sure that electricity is turned off at the main switch. All wiring must be done in accordance with National and Local Codes and the unit must be properly grounded as a precaution against electrical shock.

WIRING

1. Maximum number of heaters per circuit is limited to circuit wiring and thermostat or switch capacity. See catalog for available thermostats and Warning No. 2, page 1.
2. Make wiring connections in accordance with Figure 4, and these instructions. The heater must be properly grounded as a precaution against electrical shock. Use a properly grounded junction box for connecting the heater to the power supply.



NOTE: Heaters must be properly grounded.

Figure 4 – Wiring Diagram

ENGLISH

Dayton® Electric Radiant Ceiling Panels and Optional Mounting Frame Accessories

Installation Instructions (Continued)

3. Always use a properly grounded junction box when splicing. See wiring diagrams for proper connections. Install only in a location where the power supply connections will be accessible. Install junction box as far above panel as possible and above building insulation, where present. Use field wiring suitable for 90°C if junction box is allowed to lie on heater or is enclosed between heater and ceiling above. When installed in a drop ceiling, the wiring terminals should be accessible through removable ceiling sections with adequate clearance to permit access to the top of the heater.

2YU98 AND 2YU99 SURFACE MOUNTING FRAMES

The Surface Mounting Kit comes in a separate carton which contains two side frames, two end frames, and eight assembly screws.

CAUTION To prevent possible injury from falling panels, use at least four screws (1/4" or 0.635 cm minimum diameter) to secure each side frame. Screws must thread securely into a sturdy structural member of the ceiling, such as a ceiling joist. It may be necessary to frame in an extra support member. Do not attach to drywall, plaster or other finished ceiling materials.

1. Assemble the end frames to the side frames using the screws provided (see Figure 5) before installing on the ceiling.
2. Mount the frame assembly to the ceiling.

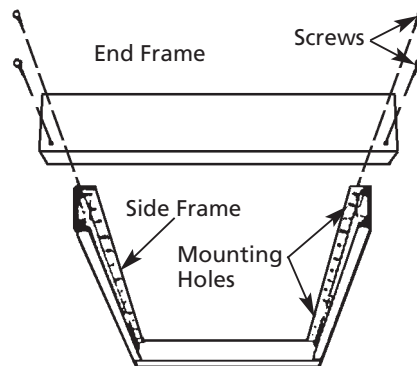


Figure 5

3. Remove one end frame and install heater panel in side frames as shown in Figure 6.

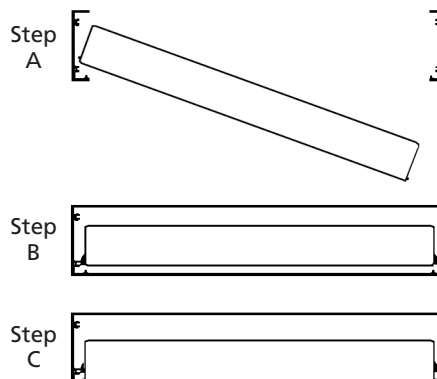


Figure 6

CAUTION Be sure electricity is turned off at main service panel before wiring to prevent possible injury from electric shock.

4. Connect the heater panel leads to the power supply leads (see Figure 4 and WIRING instructions, page 3). The heater must be properly grounded as a precaution against electrical shock. Use a properly grounded junction box for connecting the heater to the power supply. The heater may be moved along side frames to facilitate wiring.

5. Re-assemble the end frame to the side frames to lock the heater panel securely in place.

CAUTION Failure to mount this kit securely may result in serious personal injury from falling heat panels.

2YU96 AND 2YU97 RECESS MOUNTING FRAMES

The Recess Mounting Kit comes in a separate carton which contains four frame sections and four corners (see Figure 7).

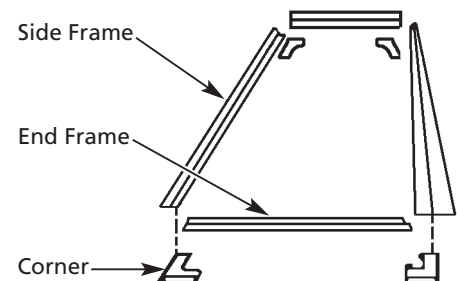


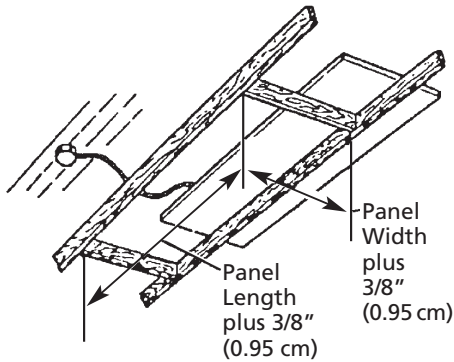
Figure 7

1. Recessed heater panels require a cutaway in ceiling and a secure method of support (see Figure 8). Use boards no smaller than 2"x 4" (5 cm x 10 cm) for support. Use screws no smaller than number 10 in each hole provided in side and end frames.
2. Insert the heater panel through the opening (see Figure 8) and make wiring connections (see Figure 4 and WIRING instructions). The heater must be properly grounded as a precaution against electrical shock. Use a properly grounded junction box for connecting the heater to the power supply.

Models 54UD14 thru 54UD21

Installation Instructions (Continued)

CAUTION *Be sure electricity is turned off at main service panel before wiring to prevent possible injury from electric shock.*



NOTE: All dimensions are inside.

Figure 8

- Loosely screw side and end frames to ceiling opening, then attach corners in place (see Figure 9).

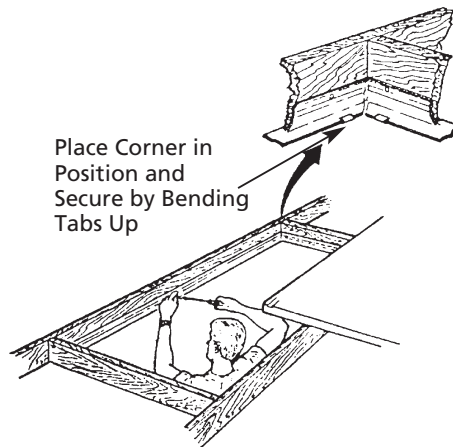


Figure 9

- After attaching corners, tighten screws securely.

- Carefully lower heater panel in place on frames.

Operation Instructions

The heaters are intended to be controlled by a remote wall mounted thermostat. The thermostat should be located in the same room on a side wall. It should also be five feet above the floor, but not directly under the heater.

- Heater must be properly installed before operation.
- Turn power supply to heater "ON" at main service panel.
- Where applicable, refer to control accessory instructions regarding proper operation of any controls used with the heater.

NOTE: For a period of time after the panels are put into operation the owner may notice a "new smell" coming from the heaters. This is expected on new installations and will dissipate after approximately 24 hours of operation.

It is important to keep this heater clean. Your heater will give you years of service and comfort with only minimum care. To assure efficient operation follow the simple instructions below.

WARNING *All servicing beyond simple cleaning that requires disassembly should be performed by qualified service personnel.*

WARNING *To reduce the risk of fire and electric shock or injury, disconnect all power coming to heater at main service panel and check that the element is cool before servicing or performing maintenance.*

USER CLEANING INSTRUCTIONS

- After the heater has cooled, a vacuum cleaner with brush attachment may be used to remove dust and lint from exterior surfaces of the heater.
- With a damp cloth, wipe dust and lint from exterior surfaces.
- Return power to heater and check to make sure it is operating properly.

Maintenance Instructions

It is important to keep this heater clean. Your heater will give you years of service and comfort with only minimum care. To assure efficient operation follow the simple instructions below.

WARNING *All servicing beyond simple cleaning that requires disassembly should be performed by qualified service personnel.*

WARNING *To reduce the risk of fire and electric shock or injury, disconnect all power coming to heater at main service panel and check that the element is cool before servicing or performing maintenance.*

USER CLEANING INSTRUCTIONS

- After the heater has cooled, a vacuum cleaner with brush attachment may be used to remove dust and lint from exterior surfaces of the heater.
- With a damp cloth, wipe dust and lint from exterior surfaces.
- Return power to heater and check to make sure it is operating properly.

Dayton® Electric Radiant Ceiling Panels and Optional Mounting Frame Accessories

LIMITED WARRANTY

DAYTON ONE-YEAR LIMITED WARRANTY. DAYTON® ELECTRIC RADIANT CEILING PANELS AND OPTIONAL MOUNTING FRAME ACCESSORIES, MODELS COVERED IN THIS MANUAL, ARE WARRANTED BY DAYTON ELECTRIC MFG. CO. (DAYTON) TO THE ORIGINAL USER AGAINST DEFECTS IN WORKMANSHIP OR MATERIALS UNDER NORMAL USE FOR ONE YEAR AFTER DATE OF PURCHASE. ANY PART WHICH IS DETERMINED TO BE DEFECTIVE IN MATERIAL OR WORKMANSHIP AND RETURNED TO AN AUTHORIZED SERVICE LOCATION, AS DAYTON DESIGNATES, SHIPPING COSTS PREPAID, WILL BE, AS THE EXCLUSIVE REMEDY, REPAIRED OR REPLACED AT DAYTON'S OPTION. FOR LIMITED WARRANTY CLAIM PROCEDURES, SEE "PROMPT DISPOSITION" BELOW. THIS LIMITED WARRANTY GIVES PURCHASERS SPECIFIC LEGAL RIGHTS WHICH VARY FROM JURISDICTION TO JURISDICTION.

LIMITATION OF LIABILITY. TO THE EXTENT ALLOWABLE UNDER APPLICABLE LAW, DAYTON'S LIABILITY FOR CONSEQUENTIAL AND INCIDENTAL DAMAGES IS EXPRESSLY DISCLAIMED. DAYTON'S LIABILITY IN ALL EVENTS IS LIMITED TO AND SHALL NOT EXCEED THE PURCHASE PRICE PAID.

WARRANTY DISCLAIMER. A DILIGENT EFFORT HAS BEEN MADE TO PROVIDE PRODUCT INFORMATION AND ILLUSTRATE THE PRODUCTS IN THIS LITERATURE ACCURATELY; HOWEVER, SUCH INFORMATION AND ILLUSTRATIONS ARE FOR THE SOLE PURPOSE OF IDENTIFICATION, AND DO NOT EXPRESS OR IMPLY A WARRANTY THAT THE PRODUCTS ARE MERCHANTABLE, OR FIT FOR A PARTICULAR PURPOSE, OR THAT THE PRODUCTS WILL NECESSARILY CONFORM TO THE ILLUSTRATIONS OR DESCRIPTIONS. EXCEPT AS PROVIDED BELOW, NO WARRANTY OR AFFIRMATION OF FACT, EXPRESSED OR IMPLIED, OTHER THAN AS STATED IN THE "LIMITED WARRANTY" ABOVE IS MADE OR AUTHORIZED BY DAYTON.

Technical Advice and Recommendations, Disclaimer. Notwithstanding any past practice or dealings or trade custom, sales shall not include the furnishing of technical advice or assistance or system design. Dayton assumes no obligations or liability on account of any unauthorized recommendations, opinions or advice as to the choice, installation or use of products.

Product Suitability. Many jurisdictions have codes and regulations governing sales, construction, installation, and/or use of products for certain purposes, which may vary from those in neighboring areas. While attempts are made to assure that Dayton products comply with such codes, Dayton cannot guarantee compliance, and cannot be responsible for how the product is installed or used. Before purchase and use of a product, review the product applications, and all applicable national and local codes and regulations, and be sure that the product, installation, and use will comply with them.

Certain aspects of disclaimers are not applicable to consumer products; e.g., (a) some jurisdictions do not allow the exclusion or limitation of incidental or consequential damages, so the above limitation or exclusion may not apply to you; (b) also, some jurisdictions do not allow a limitation on how long an implied warranty lasts, consequently the above limitation may not apply to you; and (c) by law, during the period of this Limited Warranty, any implied warranties of implied merchantability or fitness for a particular purpose applicable to consumer products purchased by consumers, may not be excluded or otherwise disclaimed.

Prompt Disposition. A good faith effort will be made for prompt correction or other adjustment with respect to any product which proves to be defective within limited warranty. For any product believed to be defective within limited warranty, first write or call dealer from whom the product was purchased. Dealer will give additional directions. If unable to resolve satisfactorily, write to Dayton at address below, giving dealer's name, address, date, and number of dealer's invoice, and describing the nature of the defect. Title and risk of loss pass to buyer on delivery to common carrier. If product was damaged in transit to you, file claim with carrier.

Manufactured for Dayton Electric Mfg. Co., 100 Grainger Parkway, Lake Forest, Illinois 60045-5201 U.S.A.

Por favor lea y guarde estas instrucciones. Léalas cuidadosamente antes de tratar de montar, instalar, operar o dar mantenimiento al producto aquí descrito. Protéjase usted mismo y a los demás observando toda la información de seguridad. ¡El no cumplir con las instrucciones puede ocasionar daños, tanto personales como a la propiedad! Guarde estas instrucciones para referencia en el futuro.

Paneles Eléctricos Radiantes de Cielo Raso y Bastidores de Montaje Auxiliares Opcionales Dayton®

Descripción

Los paneles de calefacción radiantes Dayton están diseñados para brindar comodidad mediante el calentamiento de las superficies localizadas debajo de los calentadores en la misma forma como el sol calienta las superficies por medio de la energía radiante. Este proceso de calefacción calienta los objetos que están en una habitación sin tener que elevar la temperatura ambiente del aire al mismo nivel. Estos paneles son ideales para la calefacción localizada (o parcial) en áreas de alta pérdida de calor. Los paneles pueden instalarse lado a lado o individualmente sobre las áreas que requieren más calor. Si se utilizan como la única fuente de calor, se sentirá más calor mientras uno esté situado directamente debajo del panel.

Aunque el calentador contiene aislamiento térmico, éste funcionará más eficazmente en habitaciones bien aisladas. Diez o más centímetros de aislamiento por encima de un cielo raso expuesto aumentarán la comodidad y mejorarán la economía.

Los calentadores están diseñados para ser controlados por un termostato de pared remoto. El termostato debe ubicarse en la misma habitación, en una pared lateral a 1.5 metros (5 pies) sobre el suelo, pero no directamente debajo del calentador.

Especificaciones

Número de Modelo	Voltios	Wattios	BTU/Hr	Dimensiones	
				(cm)	(pulg.)
54UD14	120	375	1280	24x24x1	61x61x2.5
54UD16	240	375	1280	24x24x1	61x61x2.5
54UD17	277	375	1280	24x24x1	61x61x2.5
54UD15	208	375	1280	24x24x1	61x61x2.5
54UD18	120	750	2560	24x48x1	61x122x2.5
54UD20	240	750	2560	24x48x1	61x122x2.5
54UD21	277	750	2560	24x48x1	61x122x2.5
54UD19	208	750	2560	24x48x1	61x122x2.5

INSTRUCCIONES IMPORTANTES

⚠ ADVERTENCIA Cuando se utilicen aparatos eléctricos, siempre deberán seguirse las medidas de precaución básicas para reducir el riesgo de incendio, choque eléctrico y lesiones personales, incluyendo las siguientes:

1. Lea todas las instrucciones antes de instalar o utilizar este calentador.

- Este calentador está caliente cuando se utiliza. Para evitar quemaduras, no permita que la piel expuesta toque las superficies calientes. Mantenga los materiales combustibles, tales como muebles, almohadas, ropas de cama, papeles, vestimentas, etc. y cortinas al menos a 0.9 metros (3 pies) de distancia del frente del calentador.
- Se requiere una precaución extrema cuando cualquier calentador es utilizado por o cerca de los niños o personas minusválidas, y siempre que se deje el calentador funcionando y desatendido.

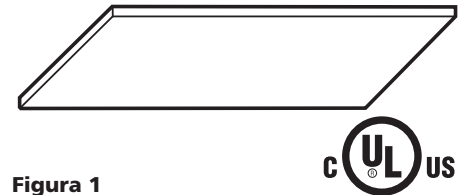


Figura 1

- No utilice ningún calentador que se haya malogrado. Desconecte la energía eléctrica en el panel principal de servicio y permita que un electricista de buena reputación lo inspeccione antes de volverlo a usar.
- No lo utilice en exteriores.
- Para desconectar el calentador, ponga los controles en apagado, y desconecte la alimentación eléctrica para el calentador en el panel principal de servicio.
- Los calentadores tienen en su interior piezas calientes y productoras de arcos eléctricos o chispas eléctricas. No utilice el calentador en las áreas donde se utilice o almacene gasolina, pintura o líquidos inflamables.
- Utilice este calentador sólo como se describe en este manual. Cualquier otro uso no recomendado por el fabricante podría causar incendio, choque eléctrico o lesiones a las personas.
- Este calentador está diseñado para aplicaciones de calefacción de comodidad y no está diseñado para uso en ambientes especiales. No lo utilice en lugares húmedos o mojados tales como lugares marinos o invernaderos o en áreas donde haya agentes químicos o corrosivos presentes.

Paneles Eléctricos Radiantes de Cielo Raso y Bastidores de Montaje Auxiliares Opcionales Dayton®

INSTRUCCIONES IMPORTANTES (Continuación)

10. Cuando instale la unidad, consulte la sección INSTRUCCIONES DE INSTALACION para ver advertencias y precauciones adicionales.
11. Para un funcionamiento seguro y eficaz, y para extender la vida útil de su calentador, mantenga limpio su calentador. Consulte la sección INSTRUCCIONES DE MANTENIMIENTO.

CONSERVE ESTAS INSTRUCCIONES

Instrucciones de Instalación

⚠ ADVERTENCIA *Para evitar un posible incendio, posibles lesiones personales o posible daño al calentador, cumpla con lo siguiente:*

1. Desconecte toda la alimentación eléctrica suministrada para el calentador en el panel principal de servicio antes de intentar hacer cualquier trabajo de cableado o mantenimiento.
2. Todos los procedimientos y conexiones de cableado deberán cumplir con los códigos eléctricos nacionales y locales que tengan jurisdicción en el lugar de instalación del calentador, y éste deberá conectarse a tierra.
3. Para evitar la posibilidad de un incendio debido al sobrecalentamiento de los cables eléctricos, todos los cables que se instalen en el campo hasta los paneles de calefacción deberán tener una capacidad de temperatura no inferior a 90 °C cuando se permite que la caja de empalmes descansa sobre la parte superior del panel de calefacción o se encierra ésta entre el calentador y

el cielo raso que está encima. Cuando se usa aislamiento térmico en la parte superior del calentador, la caja de empalmes deberá estar encima del aislamiento.

4. Verifique que el voltaje de alimentación suministrado al calentador coincida con los valores de capacidad mostrados en la placa de identificación del calentador.

⚠ ATENCIÓN *Energizar el calentador con un voltaje mayor que el voltaje impreso en la placa de identificación del calentador dañará el calentador y anulará la garantía del mismo, y podría causar un incendio.*

⚠ ATENCIÓN *Alta temperatura, riesgo de incendio; mantenga los cables eléctricos, cortinas, enseres, y otros materiales combustibles al menos a 0.9 metros (3 pies) de distancia del frente del calentador. No instale el calentador detrás de puertas, debajo de toalleros, o en un área donde esté sujeto a ser bloqueado por muebles, cortinas o materiales de almacenamiento. El aire caliente del calentador podría dañar algunas de las telas y plásticos.*

5. Para disminuir el riesgo de incendio, no almacene ni utilice gasolina u otros líquidos o vapores inflamables cerca del calentador.
6. Este calentador se debe montar solamente en cielos rasos y puede instalarse empotrado o montado en una superficie según se describe en este manual. No lo instale en paredes, pisos, etc.
7. El cielo raso y los dispositivos de anclaje deberán ser lo suficientemente fuertes como para soportar el peso del calentador – 13.6 kg (30 lbs).
8. Para evitar una posible lesión o un posible incendio debido a paneles que se caen, estos DEBEN sujetarse firmemente en la estructura del edificio.

- a. **Cuando el montaje es en barras T:** El bastidor de trabajo de la cuadrícula de barras T debe sujetarse en el edificio para proporcionar el soporte adecuado para los paneles. Se suministran agujeros en los lados de cada panel a fin de instalar en ellos cables o alambres de soporte de acero para proporcionarles un soporte adicional a los paneles donde la resistencia del bastidor de trabajo de la cuadrícula de barras T es dudosa. El alambre de soporte debe ser de acero y de calibre 18 (0.119 cm de diám. / 0.047 pulg. de diám.) como mínimo.

- b. **Cuando el Montaje es en Superficie o Empotrado:** Deben utilizarse los juegos de bastidor de montaje en superficie o empotrado auxiliar (Modelos ASF . . . o ARF . . .). Los juegos deben ser del tamaño adecuado para los calentadores que se estén utilizando. No taladre agujeros ni clave clavos ni atornille tornillos, etc., en los paneles o a través de estos. Esas acciones pueden resultar en un incendio, choque eléctrico o daño permanente al calentador. Los juegos de montaje en superficie o empotrado deben sujetarse firmemente en la estructura del edificio usando por lo menos cuatro (4) tornillos o pernos de 0.635 cm (1/4 pulg.) de diámetro.
9. Deben mantenerse los siguientes espacios libres mínimos:
 - Parte inferior del calentador al piso – 2134 mm (7 pies) como mínimo.
 - Superficie del panel frontal y el cielo raso – 76.2 mm (3 pulg.) como mínimo.

Modelos 54UD14 través 54UD21

Instrucciones de Instalación (Continuación)

10. No utilice este calentador para secar porque la pintura, el yeso, el aserrín y el polvo de lijado de las paredes de yeso dañarán permanentemente el calentador y deben mantenerse fuera del calentador.

AVISO: Durante un período de tiempo después de activar los paneles, es posible que el propietario perciba un "olor nuevo" que emana de los calentadores. Esto es normal en las instalaciones nuevas y se disipará luego de aproximadamente 24 horas de funcionamiento.

MONTAJE EN BARRAS T

⚠ ATENCIÓN *Para evitar la posibilidad de ser lesionado por paneles que se caen, las barras T deben sujetarse firmemente en la estructura del edificio y deben ser capaces de soportar el peso del panel (13.6 kg [30 lbs.]). Se han suministrado agujeros adicionales para suspender el panel de calefacción (consulte la Figura 2) con cables o alambres de acero de calibre No. 18 (0.119 cm de diámetro / 0.047 pulg. de diámetro) como mínimo. Estos cables o alambres de soporte adicional deben utilizarse donde la resistencia de las barras T es inadecuada o donde se espera que haya vibración.*

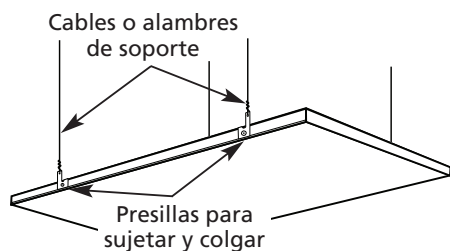


Figura 2

1. Los paneles de calefacción están diseñados para instalarlos en cielos rasos de barras T.

2. Se debe dejar una distancia mínima de 76mm (3 pulg.) entre la superficie pintada frontal y el cielo raso que está encima. Sin embargo, la instalación podría ser difícil y un espacio libre de 152 mm (6 pulg.) o más facilitará la instalación de los calentadores y la inspección del cableado. Es posible que sea necesario retirar una T cruzada para realizar la instalación cuando las barras T están cerca del cielo raso.

3. Sitúe los alambres para colgar de las barras T en las esquinas donde las T cruzadas intersectan las T principales, para que no interfieran con la instalación o extracción de los paneles.

4. Los paneles de calefacción se suministran con cuatro presillas incorporadas para sujetar y colgar que están situadas en cada lado largo del panel de calefacción. Las presillas pueden utilizarse para colgar el calentador con cables o alambres de soporte (consulte la Figura 2), o bien dobladas para funcionar como ganchos para colgar el calentador en el bastidor de barras T (consulte la Figura 3). Levante cuidadosamente el panel de calefacción hasta su posición de instalación, asegurándose que las presillas o ganchos para colgar y sujetar enganchen firmemente sobre las barras T (consulte la Figura 3).

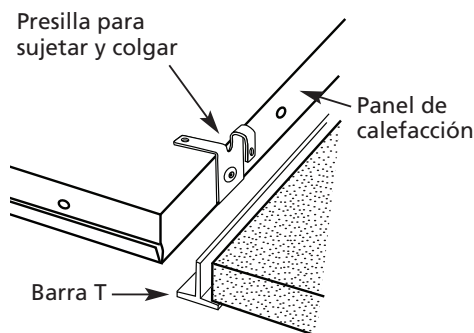


Figura 3

⚠ ATENCIÓN *Para evitar la posibilidad de ser lesionado por un choque eléctrico, asegúrese que la electricidad esté desconectada en el interruptor principal. Todo el cableado eléctrico deberá realizarse de acuerdo con los Códigos Nacionales y Locales y la unidad debe conectarse correctamente a tierra como una medida de precaución contra un posible choque eléctrico.*

CABLEADO

1. El número máximo de calentadores por circuito está limitado por la capacidad del cableado del circuito y del interruptor o termostato. Consulte el catálogo para ver los termostatos disponibles y la Advertencia No. 2, en la página 1.

2. Haga las conexiones eléctricas de acuerdo con la Figura 4, y estas instrucciones. El calentador debe conectarse correctamente a tierra como una medida de precaución contra un choque eléctrico. Utilice una caja de empalmes debidamente conectada a tierra para conectar el calentador al suministro eléctrico.

3. Siempre use una caja de empalmes debidamente conectada a tierra cuando haga o use empalmes eléctricos. Consulte los diagramas de cableado para las conexiones correctas. Instale la unidad solamente en un lugar donde pueda tener acceso a las conexiones de suministro eléctrico. Instale la caja de empalmes a la mayor altura posible sobre el panel y por encima del aislamiento del edificio, donde esté presente. Utilice un cableado de campo adecuado para 90 °C si se permite que la caja de empalmes descansa sobre el calentador o se encierra la misma entre el calentador y el cielo raso encima. Cuando se instala en un cielo raso falso o colgante, se debe tener acceso a las terminales de conexión a través de secciones de cielo raso desmontables, con suficiente espacio libre para permitir el acceso a la parte superior del calentador.

Paneles Eléctricos Radiantes de Cielo Raso y Bastidores de Montaje Auxiliares Opcionales Dayton®

Instrucciones de Instalación (Continuación)

BASTIDORES DE MONTAJE DE SUPERFICIE 2YU98 Y 2YU99

El Juego de Montaje de Superficie se suministra en una caja separada que contiene dos piezas laterales de bastidor, dos piezas de extremo de bastidor y ocho tornillos para armar el bastidor.

⚠ ATENCIÓN *Para evitar ser lesionado por paneles que se caen, utilice al menos cuatro tornillos (con un diámetro mínimo de 0.635 cm (1/4 pulg.) para sujetar cada pieza lateral del bastidor. Los tornillos deben atornillarse firmemente en un miembro estructural sólido del cielo raso, como por ejemplo, una viga del cielo raso o techo. Es posible que se tenga que agregar un miembro de soporte adicional. No lo instale en paredes de yeso, yeso u otros materiales de acabado de cielos rasos.*

1. Instale las piezas de extremo del bastidor en las piezas laterales del bastidor usando los tornillos suministrados (consulte la Figura 5) antes de instalar el bastidor en el cielo raso.

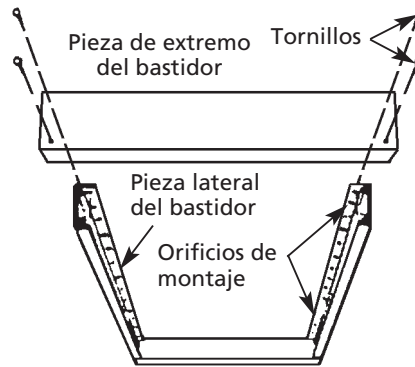


Figura 5

2. Monte el conjunto del bastidor en el cielo raso.
3. Retire una de las piezas de extremo del bastidor e instale el panel de calefacción en las piezas laterales del bastidor como se muestra en la Figura 6.

⚠ ATENCIÓN *Asegúrese que la electricidad esté desconectada en el panel de servicio principal antes de hacer las conexiones para evitar la posibilidad de ser lesionado por un choque eléctrico.*

4. Conecte los conductores del panel de calefacción a los conductores de suministro eléctrico (consulte la Figura 4 y las instrucciones de CABLEADO, en la página 3). El calentador debe conectarse

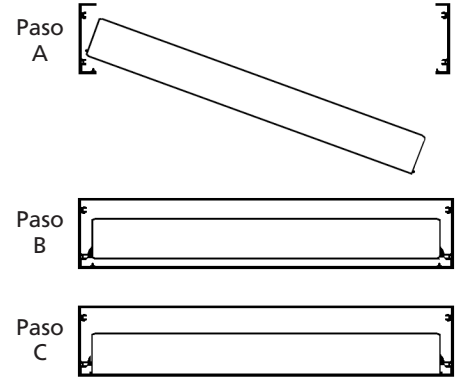


Figura 6

correctamente a tierra como una medida de precaución contra un choque eléctrico. Utilice una caja de empalmes debidamente conectada a tierra para conectar el calentador al suministro eléctrico. Se puede deslizar el calentador a lo largo de las piezas laterales del bastidor para facilitar el trabajo de cableado.

5. Vuelva a instalar la pieza de extremo del bastidor en las piezas laterales del bastidor para fijar firmemente el panel de calefacción en posición.

⚠ ATENCIÓN *Si no se monta firmemente este juego, es posible que los paneles de calefacción puedan caerse y causar lesiones personales graves.*

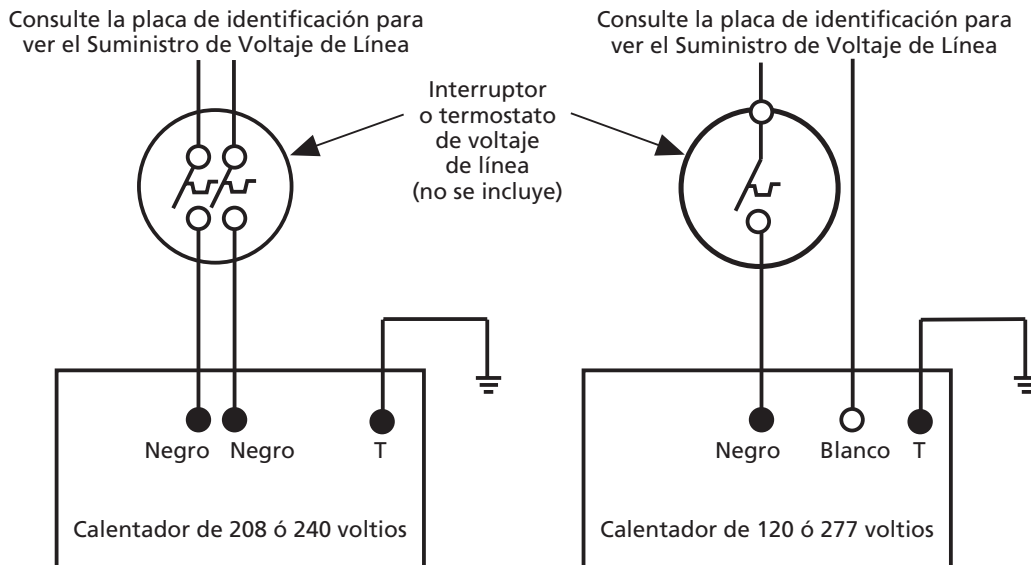


Figura 4 – Diagrama de Cableado **AVISO:** Los calentadores deben conectarse correctamente a tierra.

Modelos 54UD14 través 54UD21

Instrucciones de Instalación (Continuación)

BASTIDORES DE MONTAJE EMPOTRADO 2YU96 Y 2YU97

El Juego de Montaje Empotrado se suministra en una caja separada que contiene cuatros piezas y cuatro esquinas de bastidor (consulte la Figura 7).

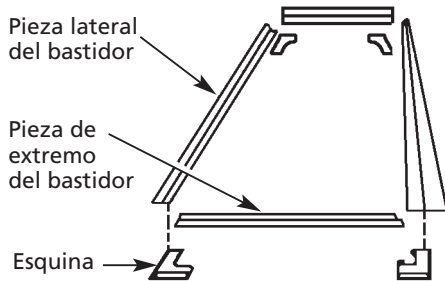
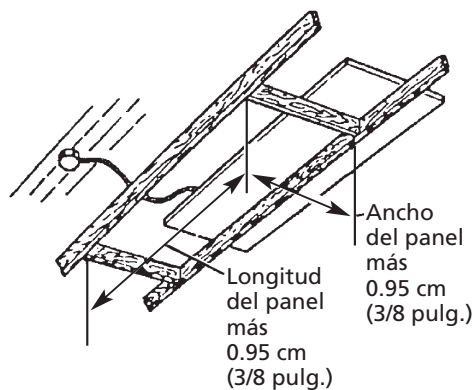


Figura 7

1. Los paneles de calefacción empotrados requieren una abertura cortada en el cielo raso y una forma segura de soporte (consulte la Figura 8). Utilice tablas de soporte de al menos 5 cm x 10 cm (2 pulg. x 4 pulg.). Utilice tornillos de calibre número 10 o mayor en cada orificio suministrado en las piezas laterales y de extremo del bastidor.



AVISO: Todas las dimensiones son interiores.

Figura 8

2. Inserte el panel de calefacción a través de la abertura (consulte la Figura 8) y conecte los conductores eléctricos (consulte la Figura 4 y las instrucciones de CABLEADO). El calentador debe conectarse correctamente a tierra como una medida de precaución contra un choque eléctrico. Utilice una caja de empalmes debidamente conectada a tierra para conectar el calentador al suministro eléctrico.

⚠ ATENCIÓN *Asegúrese que la electricidad esté desconectada en el panel de servicio principal antes de hacer las conexiones para evitar la posibilidad de ser lesionado por un choque eléctrico.*

3. Atornille sin apretar las piezas laterales y de extremo del bastidor en la abertura en el cielo raso, luego instale las esquinas (consulte la Figura 9).

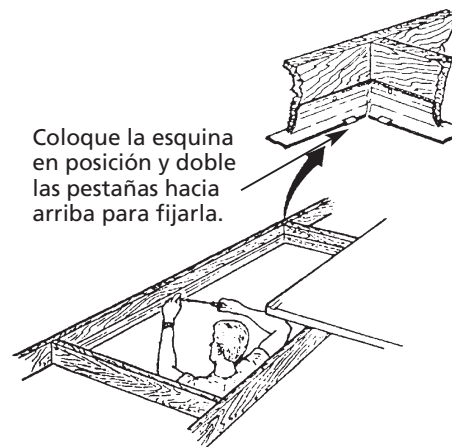


Figura 9

4. Después de instalar las esquinas, apriete firmemente los tornillos.

5. Descienda cuidadosamente el panel de calefacción a su posición en las piezas del bastidor.

Instrucciones de Operación

Los calentadores están diseñados para ser controlados por un termostato de pared remoto. El termostato debe ubicarse en la misma habitación en una pared lateral. Debe quedar a 1.5 metros (5 pies) por encima del suelo, pero no directamente debajo del calentador.

1. Se debe instalar correctamente el calentador antes de utilizarlo.
2. Conecte el suministro eléctrico del calentador en el panel principal de servicio.
3. Donde aplique, consulte las instrucciones del accesorio de control referente a la operación correcta de cualquier control que se utilice con el calentador.

AVISO: Durante un período de tiempo después de activar los paneles, es posible que el propietario perciba un "olor nuevo" que emana de los calentadores. Esto es normal en las instalaciones nuevas y se disipará luego de aproximadamente 24 horas de funcionamiento.

Es importante mantener limpio este calentador. Su calentador le brindará años de servicio y comodidad con sólo un cuidado mínimo. Para garantizar un funcionamiento eficaz, siga las instrucciones sencillas que se dan a continuación.

⚠ ADVERTENCIA *Todos los trabajos de servicio más allá de una simple limpieza que requiera desmontaje deben ser realizados por un personal de servicio calificado.*

⚠ ADVERTENCIA *Para disminuir el riesgo de incendio y choque eléctrico o lesiones, desconecte toda la alimentación eléctrica suministrada para el calentador en el panel principal de servicio y verifique que el elemento se haya enfriado antes de hacer cualquier trabajo de servicio o mantenimiento.*

Paneles Eléctricos Radiantes de Cielo Raso y Bastidores de Montaje Auxiliares Opcionales Dayton®

Instrucciones de Operación (Continuación)

INSTRUCCIONES DE LIMPIEZA DEL USUARIO

1. Después de que el calentador se haya enfriado, se puede usar una aspiradora equipada con una escobilla para eliminar el polvo y las pelusas de las superficies exteriores del calentador.
2. Con un trapo húmedo, limpie el polvo y las pelusas de las superficies exteriores.
3. Reconecte el suministro eléctrico para el calentador y verifique que éste funcione correctamente.

Instrucciones de Mantenimiento

Es importante mantener limpio este calentador. Su calentador le brindará años de servicio y comodidad con sólo un cuidado mínimo. Para garantizar un funcionamiento eficaz, siga las instrucciones sencillas que se dan a continuación.

⚠ ADVERTENCIA *Todos los trabajos de servicio más allá de una simple limpieza que requiera desmontaje deben ser realizados por un personal de servicio calificado.*

⚠ ADVERTENCIA *Para disminuir el riesgo de incendio y choque eléctrico o lesiones, desconecte toda la alimentación eléctrica suministrada para el calentador en el panel principal de servicio y verifique que el elemento se haya enfriado antes de hacer cualquier trabajo de servicio o mantenimiento.*

INSTRUCCIONES DE LIMPIEZA DEL USUARIO

1. Después de que el calentador se haya enfriado, se puede usar una aspiradora equipada con una escobilla para eliminar el polvo y las pelusas de las superficies exteriores del calentador.
2. Con un trapo húmedo, limpie el polvo y las pelusas de las superficies exteriores.
3. Reconecte el suministro eléctrico para el calentador y verifique que éste funcione correctamente.

Paneles Eléctricos Radiantes de Cielo Raso y Bastidores de Montaje Auxiliares Opcionales Dayton®

GARANTIA LIMITADA

GARANTIA LIMITADA DE DAYTON POR UN AÑO. DAYTON ELECTRIC MFG. CO. (DAYTON) LE GARANTIZA AL USUARIO ORIGINAL QUE LOS MODELOS TRATADOS EN ESTE MANUAL DE LOS PANELES ELECTRICOS RADIANTES DE CIELO RASO Y BASTIDORES DE MONTAJE AUXILIARES OPCIONALES DAYTON® ESTAN LIBRES DE DEFECTOS EN LA MANO DE OBRA O EL MATERIAL, CUANDO SE LES SOMETE A USO NORMAL, POR UN AÑO A PARTIR DE LA FECHA DE COMPRA. CUALQUIER PARTE QUE SE HALLE DEFECTUOSA, YA SEA EN EL MATERIAL O EN LA MANO DE OBRA, Y SEA DEVUELTA (CON LOS COSTOS DE ENVIO PAGADOS POR ADELANTADO) A UN CENTRO DE SERVICIO AUTORIZADO DESIGNADO POR DAYTON, SERA REPARADA O REEMPLAZADA (NO EXISTE OTRA POSIBILIDAD) SEGUN LO DETERMINE DAYTON. PARA OBTENER INFORMACION SOBRE LOS PROCEDIMIENTOS DE RECLAMO CUBIERTOS EN LA GARANTIA LIMITADA, VEA LA SECCION "ATENCION OPORTUNA" QUE APARECE MAS ADELANTE. ESTA GARANTIA LIMITADA CONFIERE AL COMPRADOR DERECHOS LEGALES ESPECIFICOS QUE VARIAN DE JURISDICCION A JURISDICCION.

LIMITES DE RESPONSABILIDAD. EN LA MEDIDA EN QUE LAS LEYES APLICABLES LO PERMITAN, LA RESPONSABILIDAD DE DAYTON POR LOS DAÑOS EMERGENTES O INCIDENTALES ESTA EXPRESAMENTE EXCLUIDA. LA RESPONSABILIDAD DE DAYTON EXPRESAMENTE ESTA LIMITADA Y NO PUEDE EXCEDER EL PRECIO DE COMPRA PAGADO POR EL ARTICULO.

EXCLUSION DE RESPONSABILIDAD DE LA GARANTIA. SE HAN HECHO ESFUERZOS DILIGENTES PARA PROPORCIONAR INFORMACION E ILUSTRACIONES APROPIADAS SOBRE EL PRODUCTO EN ESTE MANUAL; SIN EMBARGO, ESTA INFORMACION Y LAS ILUSTRACIONES TIENEN COMO UNICO PROPOSITO LA IDENTIFICACION DEL PRODUCTO Y NO EXPRESAN NI IMPLICAN GARANTIA DE QUE LOS PRODUCTOS SEAN VENDIBLES O ADECUADOS PARA UN PROPOSITO EN PARTICULAR NI QUE SE AJUSTAN NECESARIAMENTE A LAS ILUSTRACIONES O DESCRIPCIONES. CON EXCEPCION DE LO QUE SE ESTABLECE A CONTINUACION, DAYTON NO HACE NI AUTORIZA NINGUNA GARANTIA O AFIRMACION DE HECHO, EXPRESA O IMPLICITA, QUE NO SEA ESTIPULADA EN LA "GARANTIA LIMITADA" ANTERIOR.

Consejo Técnico y Recomendaciones, Exclusiones de Responsabilidad. A pesar de las prácticas, negociaciones o usos comerciales realizados previamente, las ventas no deberán incluir el suministro de consejo técnico o asistencia o diseño del sistema. Dayton no asume ninguna obligación o responsabilidad por recomendaciones, opiniones o consejos no autorizados sobre la elección, instalación o uso de los productos.

Adaptación del Producto. Muchas jurisdicciones tienen códigos o regulaciones que rigen la venta, la construcción, la instalación y/o el uso de productos para ciertos propósitos que pueden variar con respecto a los aplicables a las zonas vecinas. Si bien se trata de que los productos Dayton cumplan con dichos códigos, no se puede garantizar su conformidad y no se puede hacer responsable por la forma en que se instale o use su producto. Antes de comprar y usar el producto, revise su aplicación y todos los códigos y regulaciones nacionales y locales aplicables y asegúrese de que el producto, la instalación y el uso los cumplan.

Ciertos aspectos de limitación de responsabilidad no se aplican a productos al consumidor; es decir (a) algunas jurisdicciones no permiten la exclusión ni limitación de daños incidentales o consecuentes, de modo que las limitaciones o exclusiones anteriores quizás no apliquen en su caso; (b) asimismo, algunas jurisdicciones no permiten limitar el plazo de una garantía implícita, por lo tanto, la limitación anterior quizás no aplique en su caso; y (c) por ley, mientras la Garantía Limitada esté vigente no podrán excluirse ni limitarse en modo alguno ninguna garantía implícita de comercialización o de idoneidad para un propósito en particular aplicables a los productos al consumidor adquiridos por éste.

Atención Oportuna. Se hará un esfuerzo de buena fe para corregir puntualmente, o hacer otros ajustes, con respecto a cualquier producto que resulte defectuoso dentro de los términos de esta garantía limitada. En el caso de que encuentre un producto defectuoso y que esté cubierto dentro de los límites de esta garantía haga el favor de escribir primero, o llame, al distribuidor a quien le compró el producto. El distribuidor le dará las instrucciones adicionales. Si no puede resolver el problema en forma satisfactoria, escriba a Dayton a la dirección a continuación, dando el nombre del distribuidor, su dirección, la fecha y el número de la factura del distribuidor y describa la naturaleza del defecto. La propiedad del artículo y el riesgo de pérdida pasan al comprador en el momento de la entrega del artículo a la compañía de transporte. Si el producto se daña durante el transporte, debe presentar su reclamo a la compañía transportista.

Fabricado para Dayton Electric Mfg. Co., 100 Grainger Parkway, Lake Forest, Illinois 60045-5201 EE.UU.

**Fabricado para Dayton Electric Mfg. Co.
Lake Forest, Illinois 60045 EE.UU.**

Dayton®

Lire et conserver ces instructions. Il faut les lire attentivement avant de commencer à assembler, installer, faire fonctionner ou entretenir l'appareil décrit. Pour se protéger et protéger autrui, observer toutes les informations sur la sécurité. Négliger d'appliquer ces instructions peut causer des blessures corporelles et/ou des dommages matériels! Conserver ces instructions pour références ultérieures.

Panneaux de chauffage par rayonnement pour plafond et accessoires d'installation de cadre en option Dayton®

Description

Les panneaux de chauffage par rayonnement pour plafond Dayton sont conçus pour donner du confort en réchauffant les surfaces sous les radiateurs, tout comme le soleil réchauffe les surfaces grâce à son énergie rayonnante. Ce système de chauffage réchauffe les objets d'une pièce sans avoir à réchauffer l'air de la pièce à la même température. Ces panneaux sont une solution idéale pour réchauffer des endroits précis dans des zones à forte perte de chaleur. Les panneaux peuvent être installés côte à côte ou individuellement, au-dessus des zones qui exigent une chaleur supplémentaire. S'ils constituent la seule source de chaleur, on ressentira plus de chaleur en se plaçant directement sous le panneau.

Bien que le radiateur soit isolé thermiquement, il fonctionne plus efficacement dans des pièces bien isolées. Dix centimètres (quatre pouces) ou plus d'isolation au-dessus d'un plafond exposé accroîtront le confort et les économies.

Ces radiateurs sont conçus pour être commandés par un thermostat mural distant. Le thermostat doit être placé dans la même pièce, sur un mur latéral à 1,5 m (5 pi) du plancher, mais pas directement sous le radiateur.

Caractéristiques techniques

Numéro de modèle	Volts	Watts	BTU/h	Dimensions (cm) (po)	
54UD14	120	375	1280	24x24x1	61x61x2.5
54UD16	240	375	1280	24x24x1	61x61x2.5
54UD17	277	375	1280	24x24x1	61x61x2.5
54UD15	208	375	1280	24x24x1	61x61x2.5
54UD18	120	750	2560	24x48x1	61x122x2.5
54UD20	240	750	2560	24x48x1	61x122x2.5
54UD21	277	750	2560	24x48x1	61x122x2.5
54UD19	208	750	2560	24x48x1	61x122x2.5

INSTRUCTIONS IMPORTANTES

⚠ AVERTISSEMENT

Lorsque des appareils

électriques sont utilisés, toujours prendre des précautions de base afin de réduire les risques d'incendie, de choc électrique, ou de blessures, et respecter les consignes suivantes :

1. Lire toutes les instructions avant d'installer ou d'utiliser ce radiateur.

2. Ce radiateur est chaud lorsqu'il est utilisé. Pour éviter les brûlures, ne pas laisser la peau nue entrer en contact avec les surfaces chaudes. Garder les matériaux combustibles, notamment les meubles, les oreillers, la literie, le papier, les vêtements et les rideaux à 0,9 m (3 pi) au minimum de l'avant du radiateur.
3. Faire preuve d'une prudence extrême lorsqu'un radiateur est utilisé par ou à proximité des enfants, de personnes invalides et lorsque le radiateur fonctionne sans supervision.

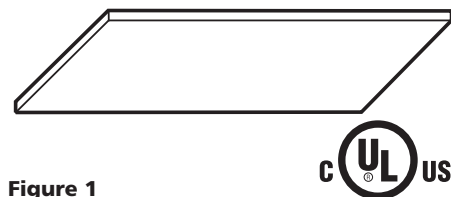


Figure 1

4. Ne pas utiliser le radiateur s'il ne fonctionne pas correctement. Couper l'alimentation au niveau du panneau de service principal et faire vérifier le radiateur par un électricien agréé avant de l'utiliser.
5. Ne pas l'utiliser à l'extérieur.
6. Pour débrancher le radiateur, placer la commande sur « OFF » et couper l'alimentation électrique du circuit du radiateur au niveau du panneau de service principal.
7. Un radiateur comprend des parties chaudes qui produisent des arcs électriques ou forment des étincelles à l'intérieur. Ne pas utiliser le radiateur dans des endroits où sont utilisés ou entreposés de l'essence, de la peinture ou des liquides inflammables.
8. Utiliser ce radiateur seulement de la manière décrite dans ce manuel. Toute autre utilisation non recommandée par le fabricant peut provoquer un incendie, un choc électrique ou des blessures.
9. Ce radiateur est conçu pour des applications de chauffage des locaux et non pour une utilisation dans des environnements particuliers. Ne pas l'utiliser dans des endroits humides ou mouillés, tels que des zones marines, des serres ou des entrepôts qui renferment des produits chimiques ou des produits corrosifs.

Panneaux de chauffage par rayonnement pour plafond et accessoires d'installation de cadre en option Dayton®

INSTRUCTIONS IMPORTANTES (suite)

- Lors de l'installation, se reporter à la section INSTRUCTIONS D'INSTALLATION pour tout avertissement et toute précaution supplémentaire.
- Pour un fonctionnement efficace et sans danger, ainsi que pour prolonger la durée de vie du radiateur, il est nécessaire de le nettoyer. Se reporter à la section INSTRUCTIONS D'ENTRETIEN.

CONSERVER CES INSTRUCTIONS

Instructions d'installation

⚠ AVERTISSEMENT *Pour éviter les risques d'incendie, de blessures ou les risques d'endommager le radiateur, respecter les consignes suivantes :*

- Couper l'alimentation électrique du radiateur au niveau du panneau de service principal avant d'effectuer le câblage ou l'entretien.
- Toutes les procédures de câblage et de connexion doivent être conformes au Code national de l'électricité et aux codes locaux applicables, et le radiateur doit être mis à la terre.
- Pour éviter un risque d'incendie résultant d'une surchauffe du câblage électrique, tout le câblage sur site connecté aux panneaux chauffants doit avoir une caractéristique nominale de 90 °C au minimum lorsque le boîtier de raccordement est placé au-dessus du panneau chauffant ou placé entre le radiateur et le plafond. Lorsqu'on utilise de l'isolation thermique au-dessus d'un radiateur, le boîtier de raccordement doit être au-dessus de l'isolation.

- Vérifier que la tension qui alimente le radiateur correspond aux valeurs nominales indiquées sur la plaque signalétique du radiateur.

⚠ ATTENTION *La mise sous tension du radiateur à une tension supérieure à celle imprimée sur la plaque signalétique aurait pour effet d'endommager le radiateur, d'annuler la garantie et pourrait déclencher un incendie.*

⚠ ATTENTION *Température élevée, risque d'incendie; garder les cordons électriques, les draperies, autres textiles et matières combustibles à 0,9 m (3 pi) au minimum de l'avant du radiateur. Ne pas installer le radiateur derrière une porte, sous un support à serviettes ni dans un lieu où des meubles, des rideaux ou des matériaux d'entreposage peuvent l'obstruer. L'air chaud provenant du radiateur peut endommager certains tissus ou plastiques.*

- Pour réduire les risques d'incendie, ne pas entreposer ni utiliser d'essence ou d'autres vapeurs ou liquides inflammables à proximité du radiateur.
- Ce radiateur doit seulement être monté sous un plafond et peut être encastré ou monté en applique comme décrit dans le présent manuel. Ne pas installer sur des murs, des planchers, etc.
- Le plafond et les ancrages doivent être suffisamment solides pour supporter le poids du radiateur – 13,6 kg (30 lb).
- Afin d'éviter des risques de blessures ou d'incendie résultant de la chute de panneaux, ceux-ci DOIVENT être fixés avec soin à la structure de l'édifice.

a. **Dans le cas d'une installation avec cadre en T :** Le cadre en T doit être fixé solidement à l'édifice pour fournir un support adéquat aux panneaux. Les trous se trouvant sur les côtés de chaque panneau permettent d'y fixer des fils de support en acier pour obtenir un support supplémentaire aux endroits où la solidité de la structure en T est douteuse. Le fil de support doit être en acier et au minimum de calibre 18 (1,2 mm ou 0,047 po de diam.).

b. **Installation en applique ou encastrée :** Les kits d'accessoires de cadre de montage en applique ou encastré (modèles ASF ou ARF . . .) . . doivent être utilisés. La taille des kits doit correspondre à celle des radiateurs utilisés. Ne pas percer de trous, clouer, visser, etc. dans ou au travers des panneaux, car il y a risque d'incendie, de choc électrique ou d'endommagement permanent du radiateur. Les kits d'installation en applique ou encastrée doivent être fixées à la structure de l'édifice avec au moins quatre (4) vis ou boulons de 6,35 mm (1/4 po).

- Dégagements minimaux à respecter :
Distance du bas du radiateur jusqu'au plancher – 2 134 mm (7 pi) au minimum.
Distance de la surface frontale du panneau jusqu'au plafond – 76,2 mm (3 po) au minimum.

Modèles 54UD14 à travers 54UD21

Instructions d'installation (suite)

10. Ne pas utiliser le radiateur pour le séchage; la peinture, le plâtre, la sciure de bois, la poussière de ponçage de cloison sèche doivent être tenus à l'écart du radiateur car ils l'endommageraient irréversiblement.

REMARQUE : Pendant quelque temps après la mise en fonctionnement des panneaux, le propriétaire pourrait remarquer une « odeur de neuf » provenant des radiateurs. Cela est normal dans les nouvelles installations; l'odeur se dissipera après environ 24 heures de fonctionnement.

INSTALLATION SUR CADRE EN T :

ATTENTION Pour éviter des blessures causées par une chute de panneaux, le cadre en T doit être fixé solidement à la structure de l'édifice et doit pouvoir supporter le poids du panneau (13,6 kg / 30 lb). Des trous supplémentaires ont été percés pour suspendre le panneau chauffant (voir la Figure 2) à des fils en acier d'un calibre minimum de 18 (diamètre de 1,2 mm / 0,047 po). Ce support supplémentaire fourni par les fils doit être utilisé aux endroits où la résistance du cadre en T est insuffisante ou si des vibrations sont prévues.

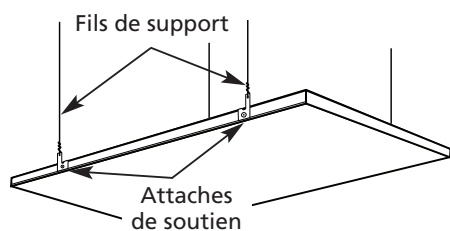


Figure 2

1. Les panneaux chauffants sont conçus pour être installés dans des plafonds « T ».

2. Prévoir une distance minimale de 76mm (3 po) depuis la surface frontale peinte jusqu'au plafond. Toutefois, ce type d'installation pourrait s'avérer difficile et un dégagement de 152 mm (6 po) ou plus facilitera l'installation des radiateurs et l'inspection du câblage. Il faudra peut-être enlever une barre en T transversale pour faciliter l'installation si les barres en T sont très rapprochées du plafond.

3. Placer les fils de suspension pour barres en T à l'intersection des barres transversales et des barres principales, pour qu'ils ne nuisent pas à l'installation ou la dépose des panneaux.

4. Les panneaux chauffants comportent quatre attaches de support/maintien situées sur chaque côté longitudinal du panneau chauffant. On peut utiliser ces attaches pour suspendre le radiateur à des fils (voir la Figure 2) ou les plier pour qu'elles s'accrochent à la structure de la barre en T (voir la Figure 3). Soulever avec précaution le panneau chauffant pour le mettre en place en s'assurant que les attaches de soutien s'accrochent de façon sécuritaire sur la barre en T (voir la Figure 3).

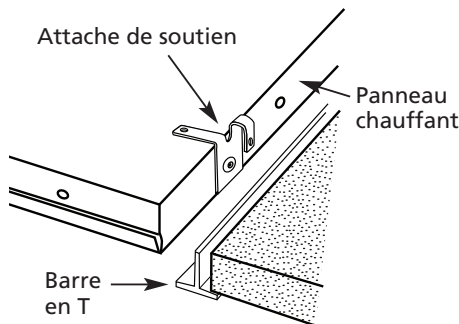


Figure 3

ATTENTION Pour éviter les risques de blessures résultant d'un choc électrique, s'assurer d'avoir coupé l'alimentation au niveau de l'interrupteur principal. Tout le câblage doit être conforme au code national et aux codes locaux; et le radiateur doit être correctement mis à la terre en guise de précaution contre les chocs électriques.

CÂBLAGE

1. Le nombre maximal de radiateurs par circuit dépend de la capacité du câblage du circuit et du thermostat ou à la capacité de l'interrupteur. Consulter le catalogue pour connaître les thermostats disponibles, de même que l'Avertissement n° 2, page 1.
2. Câbler en suivant les indications de la Figure 4, et les présentes instructions de câblage. Le radiateur doit être correctement mis à la terre en guise de précaution contre les décharges électriques. Utiliser un boîtier de raccordement correctement mis à la terre pour raccorder le radiateur à la source d'alimentation.
3. Toujours utiliser un boîtier de raccordement correctement mis à la terre pour réaliser des épissures. Consulter les schémas de câblage pour effectuer les bonnes connexions. Installer seulement dans un endroit où les connexions d'alimentation électriques sont accessibles. Installer le boîtier de raccordement aussi haut que possible au-dessus du panneau et au-dessus de l'isolation de l'édifice, le cas échéant. Utiliser un câblage sur site apte à supporter 90 °C si le boîtier de raccordement doit reposer sur le radiateur ou s'il est placé entre le radiateur et le plafond. Si le radiateur est installé dans un plafond suspendu, les bornes du câblage doivent être accessibles par les parties amovibles du plafond, avec un dégagement suffisant pour permettre l'accès à la partie supérieure du radiateur.

FRANÇAIS

Panneaux de chauffage par rayonnement pour plafond et accessoires d'installation de cadre en option Dayton®

Instructions d'installation (suite)

CADRES POUR MONTAGE EN APPLIQUE 2YU98 ET 2YU99

Le kit d'installation en applique est livré dans un emballage de carton distinct, qui contient deux cadres latéraux, deux cadres d'extrémité et huit vis d'assemblage.

ATTENTION Pour éviter les risques de blessures causées par la chute de panneaux, utiliser au moins quatre (4) vis (diam. mini. de 6,35 mm / 1/4 po) pour fixer solidement chaque cadre latéral. Les vis doivent se visser solidement dans une partie robuste de la structure du plafond, comme une solive. Il pourrait s'avérer nécessaire d'installer un cadre sur un support supplémentaire. Ne pas fixer sur cloison sèche, plâtre ou autres matériaux de finition de plafond.

1. Assembler les cadres d'extrémité aux cadres latéraux en utilisant les vis fournies (voir la Figure 5) avant d'installer au plafond.

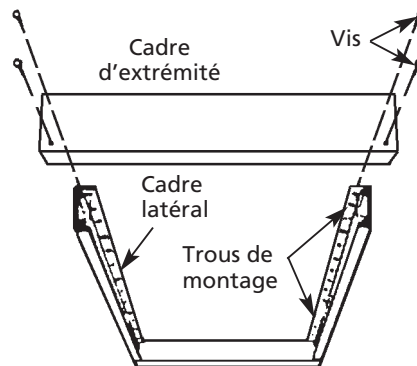


Figure 5

2. Installer le cadre au plafond.
3. Enlever un cadre d'extrémité et installer le panneau chauffant dans les cadres latéraux, comme indiqué à la Figure 6.

ATTENTION Vérifier que l'alimentation électrique est coupée au niveau du panneau de service principal avant d'effectuer le câblage afin d'éviter les risques de blessures résultant d'un choc électrique.

4. Connecter les fils des panneaux chauffants aux fils d'alimentation électrique (voir la Figure 4 et les instructions de CÂBLAGE, page 3). Le radiateur doit être correctement

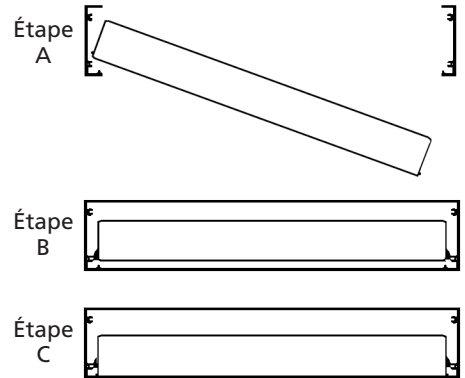
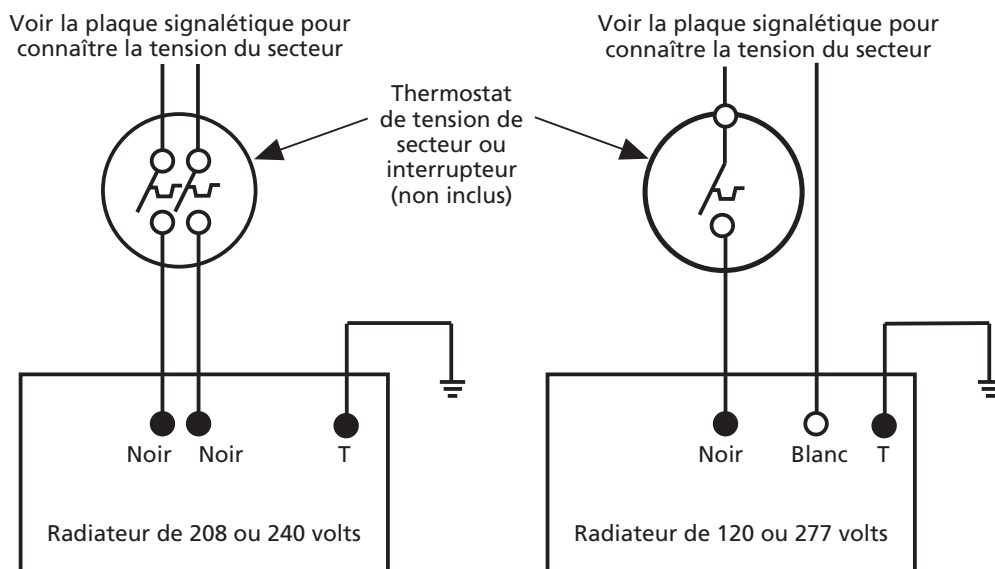


Figure 6

mis à la terre en guise de précaution contre les chocs électriques. Utiliser un boîtier de raccordement correctement mis à la terre pour raccorder le radiateur à la source d'alimentation. Déplacer le radiateur le long des cadres latéraux pour faciliter le câblage.

5. Remonter le cadre d'extrémité sur les cadres latéraux pour verrouiller solidement le panneau chauffant.

ATTENTION Négliger d'installer solidement ce kit pourrait entraîner des blessures graves causées par la chute des panneaux chauffants.



REMARQUE : Les radiateurs doivent être correctement mis à la terre.

Figure 4 - Schéma de câblage

FRANÇAIS

Modèles 54UD14 à travers 54UD21

Instructions d'installation (suite)

CADRES POUR MONTAGE ENCASTRÉE 2YU96 ET 2YU97

Le kit d'encastrement est livré dans un emballage de carton distinct qui contient quatre sections de cadre et quatre coins (voir la Figure 7).

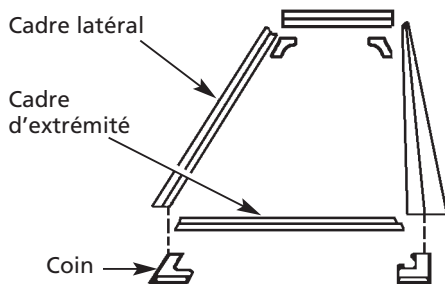
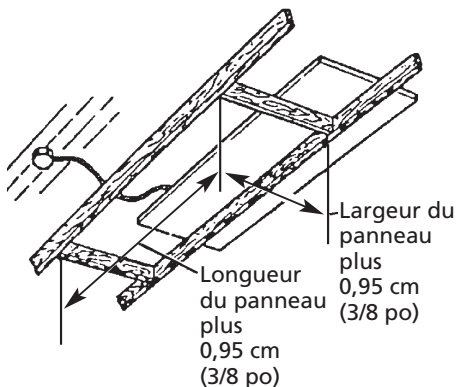


Figure 7

1. Les panneaux chauffants encastrés exigent une découpe dans le plafond et un support sécuritaire (voir la Figure 8). Utiliser des panneaux de support d'au moins 5 cm x 10 cm (2 po x 4 po) au minimum. Utiliser des vis d'un calibre de 10 (5 mm) au minimum dans chaque trou des cadres latéraux et d'extrémité.



REMARQUE : Toutes les dimensions sont intérieures.

Figure 8

2. Insérer le panneau chauffant par l'ouverture (voir la Figure 8) et câbler (voir la Figure 4 et les instructions de CÂBLAGE). Le radiateur doit être correctement mis à la terre en guise de précaution contre les chocs électriques. Utiliser un boîtier de raccordement correctement mis à la terre pour raccorder le radiateur à la source d'alimentation.

ATTENTION Vérifier que l'alimentation électrique est coupée au niveau du panneau de service principal avant d'effectuer le câblage afin d'éviter les risques de blessures résultant d'un choc électrique.

3. Visser sans serrer les cadres latéraux et d'extrémité dans l'ouverture du plafond, puis fixer les coins (voir la Figure 9).

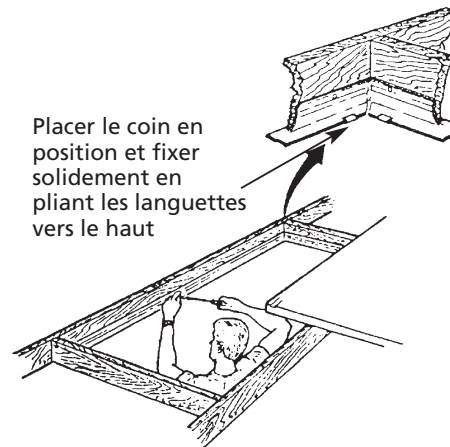


Figure 9

4. Une fois les coins fixés, serrer solidement les vis.
5. Abaisser avec précaution le panneau chauffant pour le placer sur les cadres.

Instructions d'utilisation

Ces radiateurs sont conçus pour être commandés par un thermostat mural distant. Le thermostat doit être placé dans la même pièce sur un mur adjacent. Il doit être placé à 1,5 m (5 pi) au-dessus du plancher, mais pas directement en dessous du radiateur.

1. Le radiateur doit être correctement installé avant son utilisation.
2. Mettre le radiateur sous tension « ON » au niveau du panneau de service principal.
3. Le cas échéant, se reporter aux instructions des accessoires de commande en ce qui concerne l'utilisation correcte de toute commande utilisée avec le radiateur.

REMARQUE : Pendant quelque temps après la mise en fonctionnement des panneaux, le propriétaire pourrait remarquer une « odeur de neuf » provenant des radiateurs. Cela est normal dans les nouvelles installations; l'odeur se dissipera après environ 24 heures de fonctionnement.

Il est important de garder le radiateur propre. Ce radiateur est conçu pour fonctionner et tenir chaud pendant des années grâce à un entretien minimal. Afin d'assurer un fonctionnement efficace, suivre les instructions simples ci-après.

AVERTISSEMENT Tout entretien nécessitant, au-delà d'un nettoyage simple, de démonter l'appareil, doit être effectué par du personnel d'entretien agréé.

AVERTISSEMENT Afin de réduire le risque d'incendie, de choc électrique ou de blessure, débrancher l'alimentation électrique du radiateur au niveau du panneau de service principal et vérifier que l'élément chauffant est froid avant d'effectuer une réparation ou un entretien.

FRANÇAIS

Panneaux de chauffage par rayonnement pour plafond et accessoires d'installation de cadre en option Dayton®

Instructions d'utilisation (suite)

INSTRUCTIONS DE NETTOYAGE À L'INTENTION DE L'UTILISATEUR

1. Lorsque le radiateur a refroidi, un aspirateur équipé d'une brosse peut être utilisé pour enlever la poussière ou les peluches accumulées sur les surfaces extérieures du radiateur.
2. Essuyer la poussière ou les peluches accumulées sur les surfaces extérieures au moyen d'un chiffon humide.
3. Remettre le radiateur sous tension et vérifier qu'il fonctionne correctement.

Instructions d'entretien

Il est important de garder le radiateur propre. Ce radiateur est conçu pour fonctionner et tenir chaud pendant des années grâce à un entretien minimal. Afin d'assurer un fonctionnement efficace, suivre les instructions simples ci-après.

⚠ AVERTISSEMENT *Tout entretien nécessitant, au-delà d'un nettoyage simple, de démonter l'appareil, doit être effectué par du personnel d'entretien agréé.*

⚠ AVERTISSEMENT *Afin de réduire le risque d'incendie, de choc électrique ou de blessure, débrancher l'alimentation électrique du radiateur au niveau du panneau de service principal et vérifier que l'élément chauffant est froid avant d'effectuer une réparation ou un entretien.*

INSTRUCTIONS DE NETTOYAGE À L'INTENTION DE L'UTILISATEUR

1. Lorsque le radiateur a refroidi, un aspirateur équipé d'une brosse peut être utilisé pour enlever la poussière ou les peluches accumulées sur les surfaces extérieures du radiateur.
2. Essuyer la poussière ou les peluches accumulées sur les surfaces extérieures au moyen d'un chiffon humide.
3. Remettre le radiateur sous tension et vérifier qu'il fonctionne correctement.

Panneaux de chauffage par rayonnement pour plafond et accessoires d'installation de cadre en option Dayton®

GARANTIE LIMITÉE

GARANTIE LIMITÉE D'UN AN FOURNIE PAR DAYTON. LES MODÈLES DE PANNEAUX DE CHAUFFAGE PAR RAYONNEMENT POUR PLAFOND ET ACCESSOIRES D'INSTALLATION DE CADRE EN OPTION DAYTON® COUVERTS DANS CE MANUEL SONT GARANTIS PAR DAYTON ELECTRIC MFG.CO. AU PREMIER UTILISATEUR CONTRE TOUT DÉFAUT DE FABRICATION OU DE MATÉRIAU DANS DES CONDITIONS D'UTILISATION NORMALES DURANT UN AN À COMPTER DE LA DATE D'ACHAT. TOUTE PIÈCE PRÉSENTANT, SELON DAYTON, DES DÉFAUTS DE FABRICATION OU DE MATÉRIAU ET RETOURNÉE À UN CENTRE DE SERVICE AGRÉÉ DÉSIGNÉ PAR DAYTON, PORT PAYÉ, SERA RÉPARÉE OU REMPLACÉE AU CHOIX DE DAYTON, À TITRE DE RECOURS EXCLUSIF. VOIR LES PROCÉDURES DE RÉCLAMATIONS SOUS GARANTIE SOUS LA RUBRIQUE « PROMPT RÈGLEMENT », CI-APRÈS. LA PRÉSENTE GARANTIE DONNE AUX ACHETEURS DES DROITS SPÉCIFIQUES QUI VARIENT SELON LES JURIDICTIONS.

LIMITES DE RESPONSABILITÉ. DANS LA MESURE PERMISE AU TITRE DE LA LOI APPLICABLE, DAYTON DÉCLINE EXPRESSÉMENT TOUTE RESPONSABILITÉ POUR TOUT DOMMAGE ACCESSOIRE ET INDIRECT. LA RESPONSABILITÉ DE DAYTON EST DANS TOUS LES CAS LIMITÉE ET NE SAURAIT DÉPASSER LE PRIX D'ACHAT.

CLAUSE D'EXONÉRATION DE GARANTIE. DAYTON S'EST DILIGEMMENT EFFORCÉE D'ILLUSTRER ET DE DÉCRIRE DE MANIÈRE EXACTE LES PRODUITS DE CETTE BROCHURE. CEPENDANT, CES ILLUSTRATIONS ET CES DESCRIPTIONS NE SONT DONNÉES QU'À TITRE D'IDENTIFICATION ET NE GARANTISSENT PAS EXPRESSÉMENT OU IMPLICITEMENT QUE LES PRODUITS SONT DE QUALITÉ MARCHANDE OU ADAPTÉS À UN USAGE PARTICULIER, OU QU'ILS SERONT NÉCESSAIREMENT CONFORMES AUX ILLUSTRATIONS OU AUX DESCRIPTIONS FOURNIES. SAUF DISPOSITIONS CONTRAIRES CI-DESSOUS, AUCUNE GARANTIE OU AFFIRMATION DE FAIT, EXPRESSE OU IMPLICITE, AUTRE QUE CELLE ÉNONCÉE À LA RUBRIQUE « GARANTIE LIMITÉE » CI-DESSUS, N'EST FOURNIE OU AUTORISÉE PAR DAYTON.

Conseils et recommandations techniques; clause d'exonération. Nonobstant toute pratique ou action commerciale ayant eu cours dans le passé ou toute coutume du secteur d'activité, les ventes n'incluront pas la fourniture de conseils en matière de conception de système ou de résolution de problèmes techniques. Dayton n'assume aucune obligation ni responsabilité en ce qui concerne les recommandations, opinions ou conseils non autorisés relatifs au choix, à l'installation ou à l'utilisation des produits.

Adéquation du produit. Dans de nombreuses juridictions, les codes et les réglementations qui régissent les ventes, la construction, l'installation et/ou l'utilisation de produits pour certains usages peuvent être différents de ceux de régions avoisinantes. Bien que Dayton se soit efforcée de rendre ses produits conformes à ces codes, la société ne peut en garantir la conformité et ne saurait être responsable de la manière dont les produits sont installés ou utilisés. Avant d'acheter et d'utiliser un produit, il est conseillé d'étudier son application ainsi que les codes et réglementations nationaux et locaux, et de s'assurer de la conformité à ces codes de ces produits, de leur installation et de leur utilisation.

Certains aspects des dénis de garantie ne sont pas applicables aux produits de consommation. par exemple (a) certaines juridictions n'autorisent pas l'exclusion ou la limitation des dommages accessoires ou indirects, de sorte que la limitation ou l'exclusion susmentionnée peut ne pas s'appliquer à votre cas; (b) en outre, certaines juridictions n'autorisent pas de limite sur la durée d'une garantie implicite, par conséquent la limite susmentionnée peut ne pas s'appliquer à votre cas; et (c) en vertu de la loi, durant la période de garantie limitée, toute garantie implicite de qualité marchande ou d'adéquation à un usage particulier applicable aux produits de consommation achetés par des consommateurs, est susceptible de ne pas pouvoir être exclue ou autrement déniée.

Prompt règlement. Dayton s'efforcera en toute bonne foi de faire les rectifications ou autres ajustements prévus pour tout produit qui s'avère défectueux durant la période de garantie limitée. Pour tout produit jugé défectueux durant la période de garantie limitée, contacter tout d'abord le concessionnaire où l'appareil a été acheté. Le concessionnaire fournira des instructions supplémentaires. S'il est impossible de résoudre le problème de façon satisfaisante, écrire à Dayton à l'adresse ci-dessous, en indiquant le nom et l'adresse du concessionnaire, la date et le numéro de la facture du concessionnaire, ainsi que la nature du défaut constaté. Le titre et le risque de perte passent à l'acheteur au moment de la livraison par le transporteur. Si le produit a été endommagé pendant le transport, une réclamation doit être faite auprès du transporteur.

Fabriqué pour Dayton Electric Mfg. Co., 100 Grainger Parkway, Lake Forest, Illinois 60045-5201 États-Unis