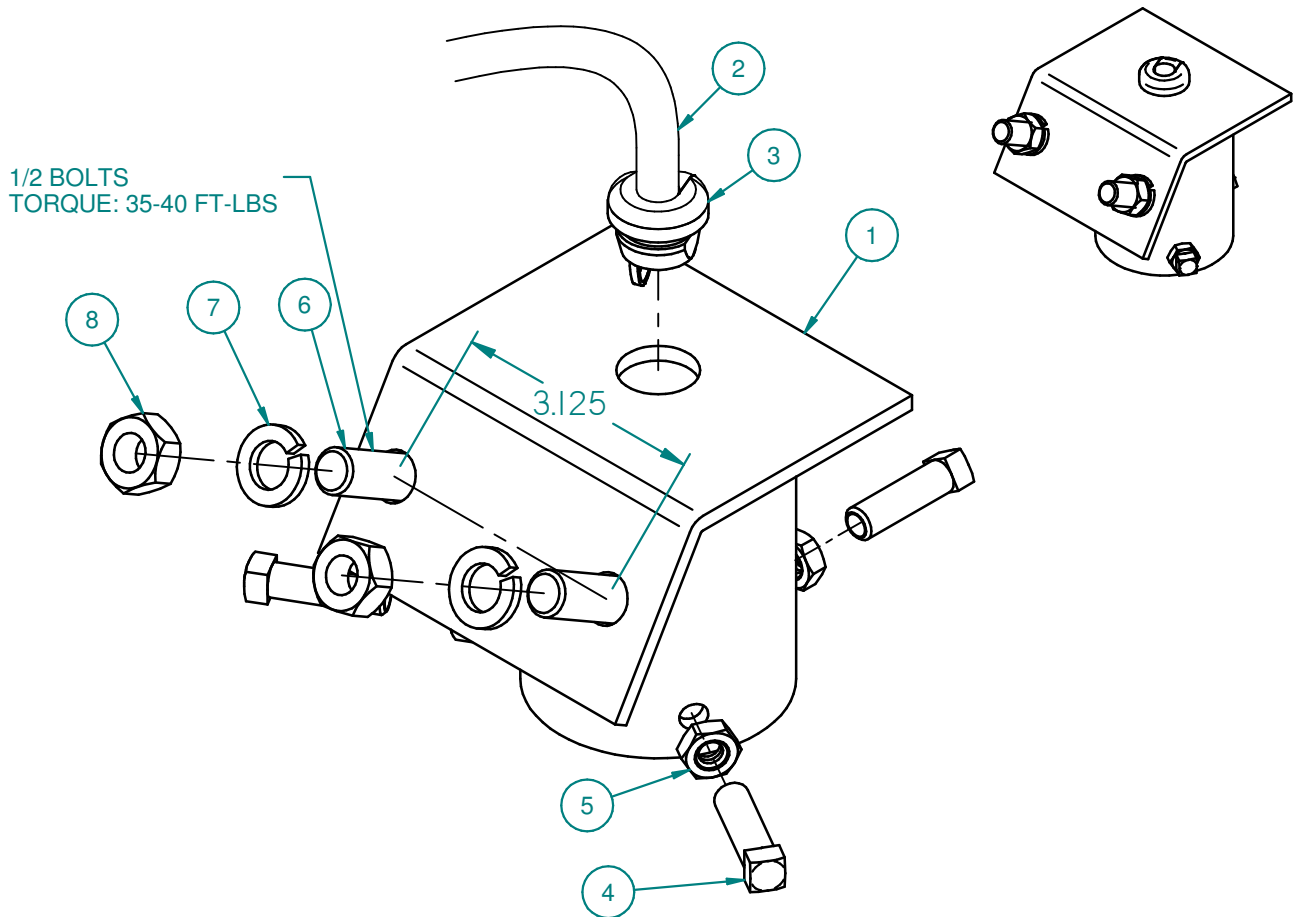


# 4024C - Steel slipfitter 2" Pipe

FLOODLIGHTING ACCESSORY



**Warning:** DISCONNECT POWER BEFORE INSTALLATION OR MAINTENANCE



## Mounting Notes:

1. Feed cord (2) from fixture through top of cord grip (3). Refer to bushing installation instructions for detail.
2. Secure fixture using 1/2 bolts (6), split washers (7), and Nuts (8).
3. Place slipfitter on top of pole, then secure using setscrews (4) and nuts (5).

## Shipping Package Contents:

- Pole Slip Fitter (1)
- Hardware Kit (1):
  - Set Screw (3)
  - 14/3 Cord Grip (1)
  - 16/3 Cord grip (1)
  - 1/2-13 Screw (2)
  - 3/8 Nut (3)
  - 1/2 Nut (2)
  - Split Washer (2)

**Material:** Steel

**Finish:** Powder Paint

**Weight:** 4 lbs