

INTERCEPTORS

800 Series

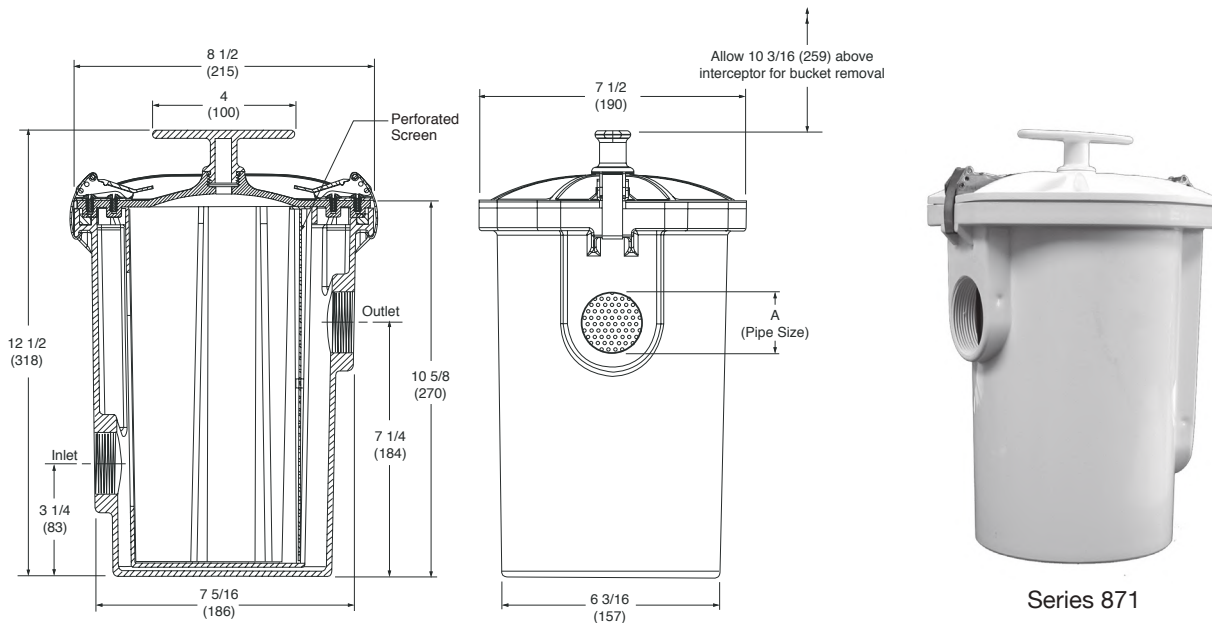
TAG _____

Small Capacity ABS Floor Mounted Solids Interceptor, Series 871



Product Description: Designed for dental offices or similar establishments to collect solids such as metal chips, plaster and stones before entering the drain line. This solid interceptor is small enough to mount directly under a sink to recover solids before they enter the drain line and cause stoppage. This unit is cleaned by removing cover and lifting strainer and screen assembly vertically out of the body.

Features and Benefits:

- Prevents line stoppage
- Intercepts precious metals, metal chips, plaster, stones as well as other harmful debris
- Mounts directly under a sink
- Ideal for a dental office, jeweler, hospitals, veterinarian or similar enterprise
- Furnished with all white ABS body, gasket cover with stainless steel latch and a removable sediment bucket with perforated screen (3/32" (2) in diameter)
- IAPMO Listed, File No. 5390



Series 871

Series Number	Pipe Size
 871-T0150	1-1/2" (38)
 871-T02	2" (50)

NOTE: Dimensional data inches and millimeters (shown in parentheses) are subject to manufacturing tolerances and change without notice.



A Product of:
JAY R. SMITH MFG. CO.®
DIVISION OF SMITH INDUSTRIES, INC.
www.jrsmith.com

 **WARNING:** Cancer and Reproductive Harm - www.P65Warnings.ca.gov

SERIES 871
 SPM 1013
 11/14