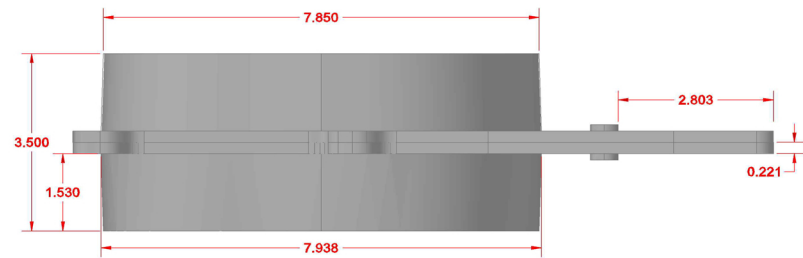
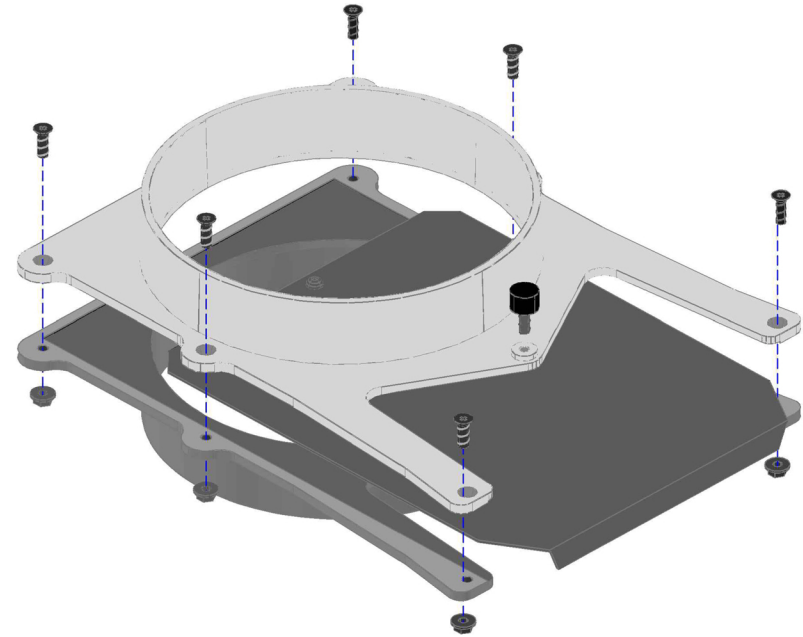
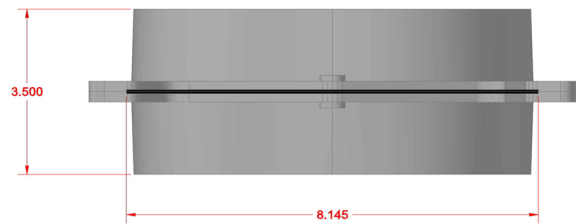
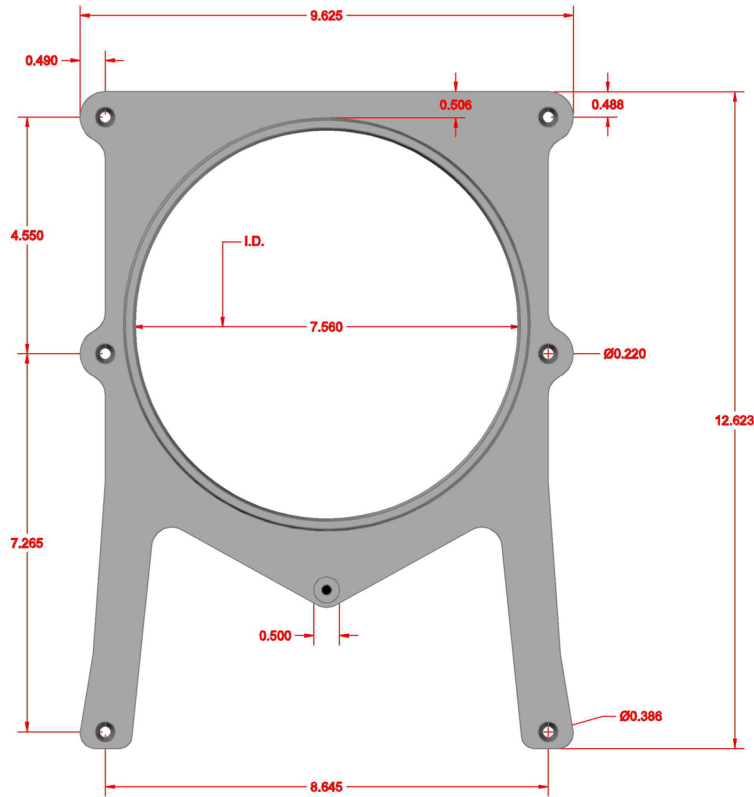


REVISIONS		
DESCRIPTION	DATE	APPROVED
8" DIE CAST ALUM BLASTGATE	6-22-12	JCM



**AMERICAN BLOWER SUPPLY**

SIZE	<b>BGF08</b>	ALUMINUM 319 ALLOY MAX TEMP. 400 DEGREES (F)	
		G-90 GALVANIZED SLIDE 19 GAUGE	
SCALE	1:1	WEIGHT 4.40 LBS	ZINC PLATED COUNTERSUNK PHILIP BOLT 0.63" LONG - 0.1875" DIA.