



## Whitehall Ligature Resistant Cistern Tank Toilet

Model WH2145



WH2145

### Ligature Resistant Cistern Tank Toilet

**Fixture** is arranged to be installed on a finished wall from the front side. Unit is fabricated from 16 gage, type 304 stainless steel and is seamless welded construction with exterior surfaces powder coated white (interior of toilet will have a satin finish and will not be powder coated). Toilet will be provided with WH-LRSC-GRAY Ligature Resistant ABS Toilet Seat Cover.

**Toilet** is siphon jet type with an elongated bowl manufactured to comply with ASME A112.19.3 and CSA B45.4 standards. Toilet uses standard residential water inlet and waste outlet. Trap has a minimum 3-1/2" seal, will pass a 2-1/8" ball and is fully enclosed. Floor waste outlet locations from rear of fixture are 10" or 12" with a 7-1/2" gasket flange.

**Toilet tank** has a polyethylene inner liner and flushes with a conventional Fluidmaster® float/flapper mechanism utilizing water consumption between 1.28 gallons (4.8 Liters) to 1.6 gallons (6 liter) per flush.

### GUIDE SPECIFICATION

Provide and install Whitehall BestCare® Ligature Resistant Toilet (specify model number). Fixture shall be fabricated from 16 gage, type 304 stainless steel. Construction shall be seamless welded and exterior surfaces are powder coated white. Toilet shall be concealed siphon jet type with an elongated bowl and self-draining flushing rim. Toilet shall be ASME A112.19.3 and CSA B45.4 compliant. Toilet uses standard residential water inlet and waste outlet. Toilet trap shall have a minimum 3-1/2" seal and shall pass a 2-1/8" diameter ball and is fully enclosed. Provided with WH-LRSC-GRAY Ligature Resistant ABS Toilet Seat Cover. Toilet tank has a polyethylene inner liner and flushes with a conventional Fluidmaster® float/flapper mechanism.

- **Patented US 10,052,000 B2**

Please visit [www.whitehallmfg.com](http://www.whitehallmfg.com) for most current specifications.



Member of  
 U.S. Green  
 Building  
 Council



Recyclable  
 Product



Water  
 Conserving  
 Product



**MODEL AND OPTIONS SELECTION**

**BASE MODEL NUMBER**

- WH2145\_10 Cistern Tank Toilet (Floor waste is 10" from wall to the center of waste outlet)
- WH2145\_12 Cistern Tank Toilet (Floor waste is 12" from wall to the center of waste outlet)

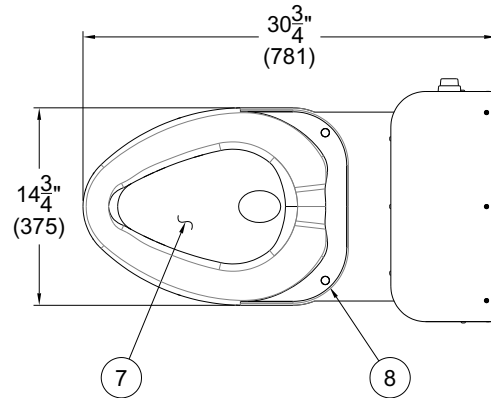
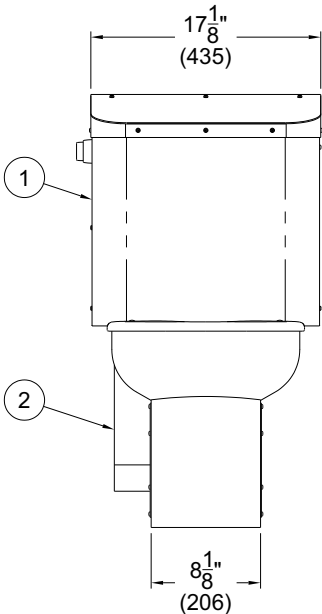
**Accessories:**

Note: Gray Ligature Resistant Seat Cover is Standard

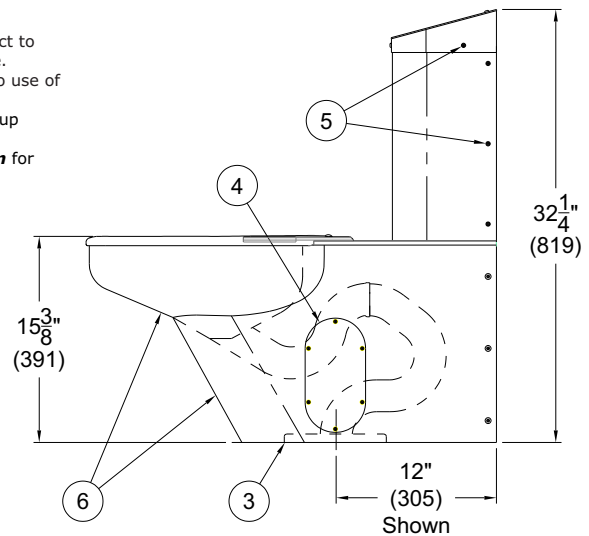
- WH-LRSC-WHITE Ligature Resistant Seat Cover, White (Shipped Loose)
- WH-LRSC-BLACK Ligature Resistant Seat Cover, Black (Shipped Loose)

**NOTES:**

1. Flush Tank
2. Flush Tube Inlet
3. Toilet Floor Waste Outlet
4. Access Panel (Both Sides)
5. Vandal Resistant Screws
6. Exterior Surfaces Powder Coated White
7. Interior of Toilet w/ Satin Finish (Not Powder Coated)
8. WH-LRSC-GRAY Whitehall Ligature Resistant ABS Toilet Seat Cover



All dimensions are nominal and subject to manufacturer's change without notice. Whitehall assumes no responsibility for use of void or superseded data © Whitehall Manufacturing, Member of Morris Group International. Please visit [www.whitehallmfg.com](http://www.whitehallmfg.com) for most current specifications.



**⚠ WARNING: Cancer and Reproductive Harm - [www.P65Warnings.ca.gov](http://www.P65Warnings.ca.gov)**

**DISCLAIMER:**

This product is designed to decrease the probability that it may be utilized as an apparatus for ligature. It is not a replacement for professionals who are trained in the proper evaluation, management and supervision of persons at risk of suicide.

**SELECTION SUMMARY & APPROVAL FOR MANUFACTURING**

Model Number & Options \_\_\_\_\_ Quantity \_\_\_\_\_  
 Company \_\_\_\_\_ Date \_\_\_\_\_  
 Contact \_\_\_\_\_ Title \_\_\_\_\_  
 Approval for Manufacturing/Signature \_\_\_\_\_