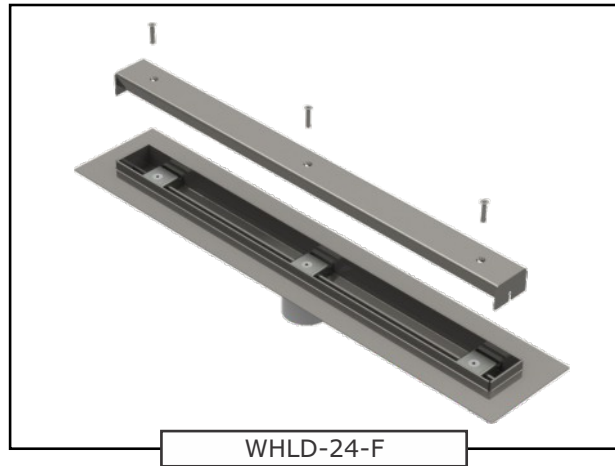




**Ligature Resistant Linear Drain with  
 Flashing Flange**

BestCare® Linear drains are designed with a linear drain cover without perforations to prevent ligature points. A hidden shield under the drain cover also prevents ligature points. Drain components are fabricated from 16 gage 304 stainless steel with a satin finish. A 'V' trough drain design with a centered 2" no-hub outlet allows for a single slope to drain allowing the use of larger tiles and greater design flexibility. Linear drains can be located in the middle back or the entrance of the shower area. They also can be used in tub-to-shower conversions. BestCare® Linear drains are perfect for wheelchair accessible showers and are easily incorporated in ADA compliant bathroom designs.



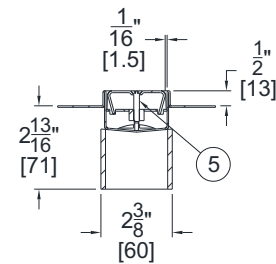
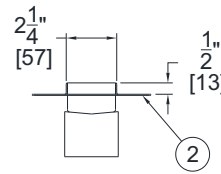
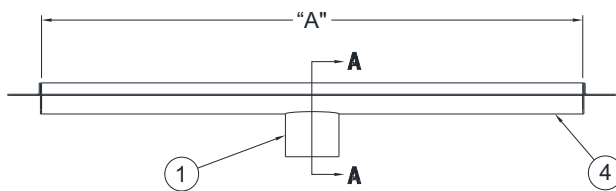
**MODEL NUMBER AND OPTIONS SELECTION:**

**BASE MODEL NUMBER**

- WHLD-12-F 12" Linear Drain with -F Flashing Flange
- WHLD-24-F 24" Linear Drain with -F Flashing Flange
- WHLD-36-F 36" Linear Drain with -F Flashing Flange
- WHLD-48-F 48" Linear Drain with -F Flashing Flange
- WHLD-60-F 60" Linear Drain with -F Flashing Flange



| MODEL NO. | "A"        | OPEN AREA    |
|-----------|------------|--------------|
| WHLD-12-F | 12" [305]  | 1.63 SQ. IN. |
| WHLD-24-F | 24" [610]  | 3.15 SQ. IN. |
| WHLD-36-F | 36" [914]  | 4.67 SQ. IN. |
| WHLD-48-F | 48" [1219] | 6.19 SQ. IN. |
| WHLD-60-F | 60" [1524] | 7.71 SQ. IN. |



- 1. 2" No-Hub Outlet
- 2. Flashing Flange
- 3. 16 Gage Type 304 Stainless Steel Ligature Resistant Drain Cover
- 4. 16 Gage Type 304 Stainless Steel Linear Trough Drain
- 5. Ligature Prevention Shield

**DISCLAIMER:**

This product is designed to decrease the probability that it may be utilized as an apparatus for ligature. It is not a replacement for professionals who are trained in the proper evaluation, management and supervision of persons at risk of suicide.

**WARNING:** Cancer and Reproductive Harm - [www.P65Warnings.ca.gov](http://www.P65Warnings.ca.gov)

**SELECTION SUMMARY & APPROVAL FOR MANUFACTURING**

Model Number & Options \_\_\_\_\_ Quantity \_\_\_\_\_  
 Company \_\_\_\_\_ Date \_\_\_\_\_  
 Contact \_\_\_\_\_ Title \_\_\_\_\_  
 Approval for Manufacturing/Signature \_\_\_\_\_



All dimensions are nominal and subject to manufacturer's change without notice. Whitehall assumes no responsibility for use of void or superseded data © Whitehall Manufacturing, Member of Morris Group International. Please visit [www.whitehallmfg.com](http://www.whitehallmfg.com) for most current specifications.