

## FEATURES

- LED technology in a lensed striplight
- Long life 50,000 hour LEDs at L80 for reduced maintenance
- Up to 110 lumens per watt
- Choice of four LED color temperatures
- Superior color consistency within a 3-step MacAdam ellipse and greater than 80 CRI
- Choice of four lumen packages per size
- Available in 2', 4' or 8' lengths
- Optional integral emergency battery pack
- Heavy die-formed steel channel with 100% acrylic formed diffuser
- Fully assembled fixture for quick installation
- LED boards and driver accessible for future maintenance or upgrades
- Modular replaceable LED components
- Surface mount, wall mount or suspended
- Maximum temperature 35°C on all lumen packages up to HL
- DesignLights Consortium® (DLC) qualified
- Five year warranty



## PROJECT INFORMATION

Project Name \_\_\_\_\_

Type \_\_\_\_\_

Catalog No. \_\_\_\_\_

Date \_\_\_\_\_

## CONSTRUCTION

Housing, wireway, and ends are formed from code-gauge steel. Housing components act as heat sink for LED heat dissipation. Knockouts are provided for electrical access and mounting. Shielded with 100% frosted prismatic acrylic lens.

## FINISH

White painted parts are treated with a five-stage phosphate bonding process and finished with high reflectance baked enamel. For a post-painted housing finish select PAF option.

## ELECTRICAL

Long-life LEDs are rated for 50,000 hours at L80 lumen maintenance. Driver options include fixed output for on/off function, step dimming (high/low/off) or continuous 0-10V dimming.

## CERTIFICATION

All luminaires are built to UL 1598 and 2108 standards, and bear appropriate CSA c/US labels. Damp location labeling is standard. Emergency equipped fixtures labeled UL924. Adheres to LM70, LM80, and TM21 industry standards. Designlights Consortium® (DLC) qualified. Please refer to the DLC website for specific product qualifications at www.designlights.org.

## WARRANTY

Five year warranty (Terms and Conditions apply).

## ORDERING INFORMATION

## EXAMPLE LCL4-40HL-EU

LCL					U			
MODEL	SIZE	COLOR TEMP	LUMEN OUTPUT	DRIVER	VOLTAGE	OPTIONS		
LCL LED Striplight	2 2'	30 3000K	LW Low Watt	E Fixed Output	U 120V-277V	ELL14 Emergency Battery Pack, 1400 Lumens <sup>1,2,3</sup>		
	4 4'	35 3500K	ML Medium Lumen	ESD Step Dimming	347 347V (E,ED,ED1 only)	GLR Fast Blow Fuse		
	8 8'	40 4000K	HL High Lumen	ED 0-10V Dimming		PAF Paint After Fabrication		
		50 5000K	VL Very High Lumen	ED1 0-10V 1% Dimming		NYC NYC Compliant		
			See Product Availability Table below.	LUTH Lutron H Series <sup>3</sup>				
				LUT5 Lutron 5 Series <sup>3</sup>				

### ACCESSORIES (ORDER SEPARATELY)

S18	18" Stem, Canopy
SS18	18" Swivel Stem—45° Swivel
CSHC	Chain Hanger Assembly
LCLWG4	4' Wire Guard, 2 Required for 8' Fixture

### PRODUCT AVAILABILITY

SIZE	LUMEN PACKAGE	NOMINAL LUMENS (4000K)	NOMINAL WATTS	EFFICACY
2'	ML	2,500	25	100
	LW	2,500	25	100
	ML	5,000	48	104
	HL	6,100	55	110
8'	VL	10,100	96	105
	LW	5,000	48	104
	ML	10,100	96	105
	HL	12,200	111	110
	VL	20,100	193	104

<sup>1</sup> For compatibility with Dual-Lite LiteGear™ inverters in lieu of installed battery pack, contact Hubbell Lighting representative.

<sup>2</sup> Not available in 2 ft size.

<sup>3</sup> Not available in VL packages.

Lumens vary according to color temperature and other factors. See specific photometric test(s).

## PHOTOMETRIC DATA

### LUMINAIRE DATA

Luminaire	LCL4-40HL-ED LCL Led Lensed Utility Channel, Industrial 48" x 4½ x 3¼" LED with acrylic formed lens
Ballast	D15CC55UNVTC
Ballast Factor	1.00
Lamp	LED
Fixture Lumens	6078
Watts	54.70
Shielding Angle	0° = 90 90° = 90
Spacing Criterion	0° = 1.24 90° = 1.28
Luminous Opening in Feet	Length: 4.00 Width: 0.40 Height: 0.00

### ZONAL LUMEN SUMMARY

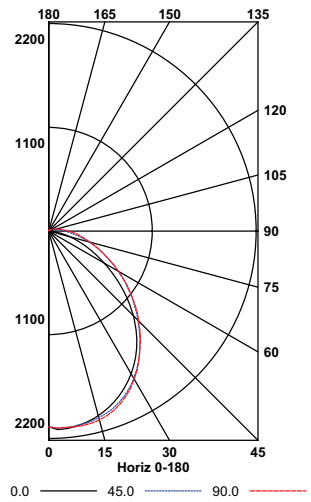
Zone	Lumens	Lamp	Fixt.
0-30	1649	27.1	27.1
0-40	2679	44.1	44.1
0-60	4574	75.2	75.2
0-90	5860	96.4	96.4
0-180	6078	100.0	100.0

### ENERGY DATA

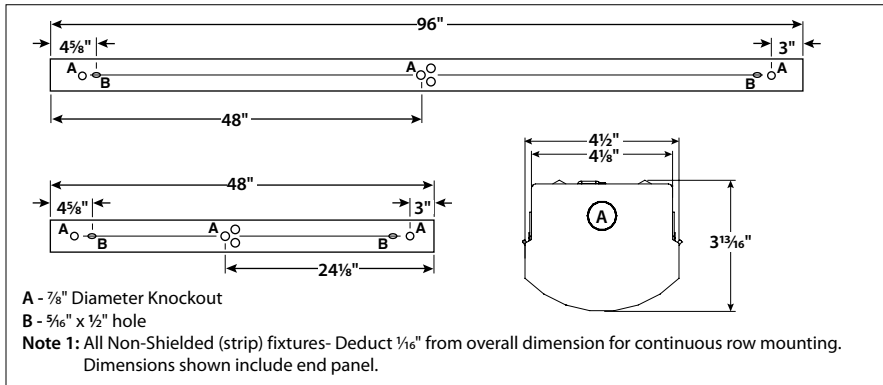
Total Luminaire Efficiency	100.0
Total Lumens per Watt	111
ANSI/IESNA RP-1-2004 Compliance	Noncompliant
Comparative Yearly Lighting Energy Cost per 1000 Lumens	\$2.16 based on 3000 hrs. and \$0.08 per KWH

Test ITL15383 Test Date 7/14/14

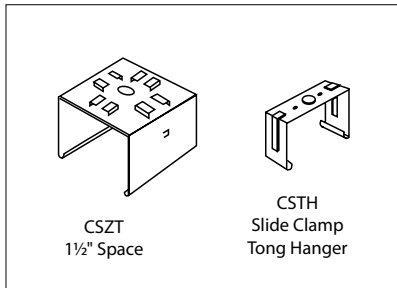
### INDOOR CANDELA PLOT



### DIMENSIONAL DATA



### MOUNTING ACCESSORIES



**NOTE:** All dimensions are in inches; dimensions and specifications are subject to change without notice. Please consult factory or check sample for verification.