

DATE: _____ LOCATION: _____
 TYPE: _____ PROJECT: _____
 CATALOG #: _____

FEATURES

- Uninterrupted ribbon of light; row mounting optional
- Long life 60,000 hour LEDs at L80 for reduced maintenance
- Superior color consistency within a 3-step MacAdam ellipse and greater than 80 CRI
- Available in 2', 4' or 8' lengths
- Optional integral emergency battery pack
- Three lens options as well as less lens (NL)
- Modular replaceable LED boards and driver accessible for future maintenance or upgrades
- Surface mount, wall mount or suspended



CONTROL TECHNOLOGY



SPECIFICATIONS

CONSTRUCTION

- Housing, wireway, and ends are formed from code-gauge steel
- Housing components act as heat sink for LED heat dissipation
- White painted parts are treated with a five stage phosphate bonding process and finished with high reflectance baked enamel

OPTICS

- Available with or without frosted acrylic lens

INSTALLATION

- Knockouts are provided for electrical access and mounting

ELECTRICAL

- Long-life LEDs are rated for 60,000 hours at L80 lumen maintenance
- Driver options include fixed output for on/off function, step dimming (high/low/ off), or continuous 0–10V dimming
- Superior drivers and long-life LEDs provide quality illumination for prolonged service life
- Drivers < 10% THD at 120V, power factor > 0.95

CONTROLS

- Optional SpectraSync™ offers two modes of Tunable White solutions and integrates seamlessly into a variety of control systems
- NX Distributed Intelligence™ provides options for standalone and networked integrated sensor with wired or wireless connectivity for NX system deployments

TECHNOLOGY

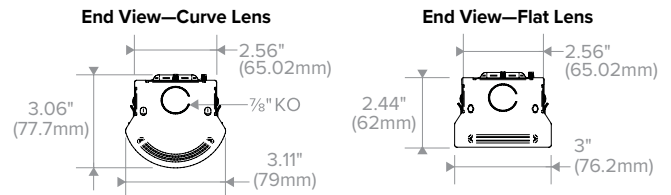
- SpectraSAFE™ is a scalable, cloud-enabled and lighting-based wireless video security solution for interior commercial and industrial applications

CERTIFICATIONS

- IC label is standard for recessed products
- All luminaires are built to UL 1598 and 2108 standards, and bear appropriate cCSAus labels
- Damp Location label standard
- CSA certified to UL 924 standards with battery pack or DTS (Dimming Bypass Module) options

RELATED PRODUCTS

- [Revalume™ Linear Wrap](#)
- [Reverie™ Decorative Low Bay](#)



CERTIFICATIONS (CONTINUED)

- Adheres to LM79, LM80, and TM21 industry standards
- The DTS, Dimming Bypass Module, is for emergency circuit control loads including sensors and wireless systems CSA certified to UL 924. See page 10 for wiring diagram. [Link to Dimming Bypass Module Specification sheet](#)
- This product qualifies as a “designated country construction material” per FAR 52.225-11 Buy American-Construction Materials under Trade Agreements effective 06/01/2020. [See Buy American Solutions](#)

WARRANTY

- 5 year warranty
- See [HLI Standard Warranty](#) for additional information

| KEY DATA | |
|-----------------------|-------------|
| Lumen Range | 1377–16,833 |
| Wattage Range | 13.5–133.8 |
| Efficacy Range (LPW) | 111–142 |
| Reported Life (Hours) | L80–60,000 |

ORDERING GUIDE

Example: MPS4-40ML-CW-EDU

CATALOG #

| MPS | | | Color Temp | | | Nominal Lumens ⁴ | | | Lens | | Distribution ⁵ | | | | |
|-------------------------------|-------------------|----|------------|-----------------|---|-----------------------------|------------------------------------|------------------------------------|--------------------------------------|------------------------------------|------------------------------|------------------------|---|----------------------------------|--|
| Model | Size ¹ | | CRI | | | | | | | | | | | | |
| MPS MultiPurpose Linear | 2 | 2' | Blank | >80 | 30 | 3000K | XW | 4' (2700), 8' (5400) | LWHE | 2' (2600), 4' (4100), 8' (8200) | C | Curve, Frosted Acrylic | N | Narrow Distribution ⁶ | |
| | 4 | 4' | 9 | 90 ² | 35 | 3500K | XWHE | 4' (2500), 8' (5000) | ML | 2' (3600), 4' (4800), 8' (9500) | F | Flat, Frosted Acrylic | W | Wide Distribution | |
| | 8 | 8' | | | 40 | 4000K | VW | 2' (1700), 4' (3400), 8' (6900) | MLHE | 4' (4700), 8' (9400) | NL | Less Lens | | | |
| | | | | 50 | 5000K | VWHE | 4' (3300), 8' (6600) | HL | 2' (3800), 4' (6000), 8' (12,000) | CP | Curve, Frosted Polycarbonate | | | | |
| | | | | 2750T | 2700K-5000K SpectraSync™ Tunable White ³ | MW | 2' (2300), 4' (3800), 8' (7700) | HLHE | 4' (5700), 8' (11,500) | | | | | | |
| | | | | 2765T | 2700K-6500K SpectraSync™ Tunable White ³ | MWHE | 2' (2100), 4' (3700), 8' (7400) | VL | 4' (7100), 8' (14,200) | | | | | | |
| | | | | | | LW | 2' (2500), 4' (4200), 8' (8400) | XL | 4' (8400), 8' (17,000) | | | | | | |

| Driver | | Voltage | | Options | | Control Options ^{15,16} | |
|--------|---|---------|------------------------|----------|--|---|--|
| E | Fixed Output | U | 120V-277V | ELL14 | Emergency Battery Pack, 10W ^{9,10,11} | NX Standalone | |
| ED | 0-10V Dimming | 347 | 347V (E, ED, ED1 only) | ELL14H2 | Emergency Battery Pack, 2-Hour Run Time ^{9,10,11} | NXS NX, PIR BT Occupancy/Daylight Sensor, Slide Mount ^{17,19} | |
| ED1 | 0-10V 1% Dimming | | | GLR | Fast Blow Fuse | NX Networked – Wired | |
| EDD | 0-10V Dim-to-Dark | | | GTD | Generator Transfer Device ¹² | NXE NX, Dual SmartPORTs ^{17,18,19} | |
| ESD | Step Dimming | | | DTS | Dimming Bypass Module ¹³ | NXES NX, PIR BT Occupancy/Daylight Sensor, Slide Mount, Dual SmartPORTs ^{17,18,19} | |
| LUTH | Hi-lume 1% EcoSystem LED driver with Soft-on, Fade-to-Black dimming technology ⁷ | | | MPSCE | Injection Molded ABS Material Curve Endcap ¹⁵ | NX Networked – Wireless | |
| LUT5 | 5-Series EcoSystem LED driver ⁷ | | | MPSCE-MB | Injection Molded ABS Material Curve Endcap, Matte Black | NXSW NX Wireless, PIR BT Occupancy/Daylight Sensor ^{17,19} | |
| DALIP | DALI Power Bus ⁸ | | | MPSFE | Injection Molded ABS Material Flat Endcap ¹⁵ | NXWE NX Wireless Enabled ^{17,19} | |
| | | | | MPSFE-MB | Injection Molded ABS Material Flat Endcap, Matte Black | Third-Party Control Options | |
| | | | | MB | Matte Black | ODPG Occupancy and Daylight Sensors w/ Grouping, Philips SNS200 ^{20,22} | |
| | | | | ZT | ZET Metallic Silver | LVR Lutron VIVE Integral Fixture Control DFCSJ-OEM-RF (RF only) ^{20,21,22} | |
| | | | | PAF | Painted After Fabrication | LVS Lutron VIVE Integral Fixture Control DFCSJ-OEM-OCC (RF with daylight and occupancy sensing) ^{20,21,22} | |
| | | | | SAF | SpectraSAFE™ Integrated Surveillance Lighting System ¹⁴ | | |

| Accessories | | | | | |
|--------------------------|--------------|---|--------------------------|----------|---|
| <input type="checkbox"/> | S18 | 18" Stem, Canopy | <input type="checkbox"/> | MPSCRK-C | Continuous Row Kit, Curve |
| <input type="checkbox"/> | SS18 | 18" Swivel Stem—45° Swivel | <input type="checkbox"/> | MPSCRK-F | Continuous Row Kit, Flat |
| <input type="checkbox"/> | CM24SCF3-KIT | 24" Adjustable Cable Mounting Kit, 3-wire feed ²³ | <input type="checkbox"/> | MPSWG2 | 2' Wire Guard |
| <input type="checkbox"/> | CM48SCF3-KIT | 48" Adjustable Cable Mounting Kit, 3-wire feed ²³ | <input type="checkbox"/> | MPSWG4 | 4' Wire Guard, two Required for 8' Fixture |
| <input type="checkbox"/> | CM24NF-KIT | Single Point Non-Feed Cable Mount with Canopy, Single - 24" ²³ | <input type="checkbox"/> | MPSCE | Injection Molded ABS Material Curve Endcap |
| <input type="checkbox"/> | CM48NF-KIT | Single Point Non-Feed Cable Mount with Canopy, Single - 48" ²³ | <input type="checkbox"/> | MPSCE-MB | Injection Molded ABS Material Curve Endcap, Matte Black |
| <input type="checkbox"/> | CSHC | Chain Hanger Assembly | <input type="checkbox"/> | MPSFE | Injection Molded ABS Material Flat Endcap |
| <input type="checkbox"/> | MPSZT | Zip Tee Hanger - 1½" Spacer on T-Bar Ceiling | <input type="checkbox"/> | MPSFE-MB | Injection Molded ABS Material Flat Endcap, Matte Black |
| <input type="checkbox"/> | MPSTH | Slide Tong Hanger | | | |

Notes:
 1 For continuous row mounting, see [Continuous Row Mount Example Guide](#) on page 3
 2 Not available with HE lumen packages
 3 See [SpectraSync and NX Availability Table](#) on page 6
 4 High efficacy versions designated with "HE"
 5 Applicable to lens only
 6 Only available with Curve, Frosted Acrylic lens
 7 Not available in VL, XL, HE packages
 8 DALIP only available when LVS, LVR or ODPG control options are selected
 9 Delivered Emergency Lumens = ELL14 = 1210 lms
 10 Not available in 2ft size or with thru wire on XL 4ft and 8ft
 11 Emergency battery pack max ambient temperature: 25°C
 12 Only available with fixed output driver
 13 For emergency circuit control loads including sensors and wireless systems CSA certified to UL 924. Not available with ESD driver option. Universal voltage only. DTS with 2' cannot be combined with Controls or SpectraSync options. See page 10 for wiring diagram

14 SpectraSync+NX+SAF can not be configured. Only available with NXE or NXWE. Not available in 347V
NX In-Fixture Control Options:
 15 Standard PAF when this option is chosen
 16 Control Options include Injection Molded ABS End Cap
 17 Only available with 0-10V dimming drivers (ED, ED1 & EDD)
 18 Not available with surface mounting
 19 Not available in 2ft when SpectraSync and SpectraSAFE are chosen
Third-Party Control Options:
 20 LVS, LVR and ODPG only available with DALIP driver option
 21 VIVE is a trademark of Lutron Electronics Co., Inc
 22 Not available with SpectraSync (2750T or 2765T)
Accessory Notes:
 23 See [Columbia Mounting Accessories page](#) for additional options

ORDERING GUIDE (CONTINUED)

| CONTINUOUS ROW MOUNT EXAMPLE GUIDE | | | | | |
|------------------------------------|------|------|----------|--------------|------------|
| Continuous Row Length | MPS4 | MPS8 | MPSCRK-* | CM**SCF*-KIT | CM**NF-KIT |
| 12' — Option 1 | 1 | 1 | 1 | 1 | 1 |
| 12' — Option 2 | 3 | 0 | 2 | 1 | 1 |
| 16' — Option 1 | 0 | 2 | 1 | 1 | 1 |
| 16' — Option 2 | 2 | 1 | 2 | 1 | 2 |
| 32' — Option 1 | 0 | 4 | 3 | 2 | 1 |
| 32' — Option 2 | 2 | 3 | 4 | 2 | 1 |

[Link to Columbia Mounting Accessories page](#)

PRODUCT EXCEPTIONS & DETAILS

Driver options listed below are available for the outputs as shown.

| DRIVER AVAILABILITY TABLE — 2' | | | | | | | |
|--------------------------------|----|----|------|----|------|----|----|
| | VW | MW | MWHE | LW | LWHE | ML | HL |
| E | x | x | x | x | x | x | x |
| ED | x | x | x | x | x | x | x |
| ED1 | x | x | x | x | x | x | x |
| EDD | x | x | | x | | x | x |
| ESD | x | x | | x | | x | x |
| LUT5 | x | x | | x | | x | x |
| LUTH | x | x | | x | | x | x |
| 347 | x | x | | x | | x | x |
| DALIP | x | x | x | x | x | x | x |

| DRIVER AVAILABILITY TABLE — 4' & 8' | | | | | | | | | | | | | | |
|-------------------------------------|----|------|----|------|----|------|----|------|----|------|----|------|----|----|
| | XW | XWHE | VW | VWHE | MW | MWHE | LW | LWHE | ML | MLHE | HL | HLHE | VL | XL |
| E | x | x | x | x | x | x | x | x | x | x | x | x | x | x |
| ED | x | x | x | x | x | x | x | x | x | x | x | x | x | x |
| ED1 | x | x | x | x | x | x | x | x | x | x | x | x | x | x |
| EDD | x | | x | | x | | x | | x | | x | | x | x |
| ESD | x | | x | | x | | x | | x | | x | | x | x |
| 347 | x | | x | | x | | x | | x | | x | | x | x |
| LUT5 | x | | x | | x | | x | | x | | x | | | |
| LUTH | x | | x | | x | | x | | x | | x | | | |
| DALIP | x | x | x | x | x | x | x | x | x | x | x | x | x | x |

| TEMPERATURE TABLE (C°) — 4' & 8' | | | | | | | | | | | | |
|----------------------------------|---------------|------------------------------|----------------------|------------------------------|----------------------|------------------------------|----------------------|------------------------------|----------------------|------------------------------|----------------------|--|
| | | 80 CRI | | | | | | | | | | |
| | | E/ED/ED1 | | ESDU | | ED347 | | EDD | | LUT | | |
| Size | Lumen Package | Ceiling/ Surface Mount | Pendant/ TH Mount | Ceiling/ Surface Mount | Pendant/ TH Mount | Ceiling/ Surface Mount | Pendant/ TH Mount | Ceiling/ Surface Mount | Pendant/ TH Mount | Ceiling/ Surface Mount | Pendant/ TH Mount | |
| 2' | VW | 35 | 40 | 35 | 40 | 35 | 40 | 35 | 40 | 35 | 40 | |
| | MW | 35 | 40 | 35 | 40 | 35 | 40 | 35 | 40 | 35 | 40 | |
| | LW | 35 | 40 | 35 | 40 | 35 | 40 | 35 | 40 | 35 | 40 | |
| | ML | 35 | 40 | 35 | 40 | 35 | 40 | 35 | 40 | 35 | 40 | |
| | HL | 30 | 35 | 30 | 35 | 30 | 35 | 30 | 35 | 30 | 35 | |
| | XW | 35 | 45 | 35 | 45 | 35 | 45 | 30 | 35 | 30 | 35 | |
| 4' | VW | 35 | 45 | 35 | 45 | 35 | 45 | 30 | 35 | 30 | 35 | |
| | MW | 35 | 45 | 35 | 45 | 35 | 45 | 30 | 35 | 30 | 35 | |
| | LW | 35 | 45 | 35 | 45 | 35 | 45 | 30 | 35 | 30 | 35 | |
| | ML | 35 | 45 | 35 | 45 | 35 | 45 | 30 | 35 | 30 | 35 | |
| | HL | 35 | 40 | 35 | 40 | 35 | 40 | 25 | 30 | 30 | 35 | |
| | VL | 30 | 30 | 30 | 30 | 30 | 30 | 30 | 30 | — | — | |
| XL* | 25 | 25 | 25 | 25 | 25 | 25 | 25 | 25 | — | — | | |
| 8' | XW | 35 | 45 | 35 | 45 | 35 | 45 | 30 | 35 | 30 | 35 | |
| | VW | 35 | 45 | 35 | 45 | 35 | 45 | 30 | 35 | 30 | 35 | |
| | MW | 35 | 45 | 35 | 45 | 35 | 45 | 30 | 35 | 30 | 35 | |
| | LW | 35 | 45 | 35 | 45 | 35 | 45 | 30 | 35 | 30 | 35 | |
| | ML | 35 | 45 | 35 | 45 | 35 | 45 | 30 | 35 | 30 | 35 | |
| | VL | 30 | 30 | 30 | 30 | 30 | 30 | 30 | 30 | — | — | |
| XL* | 25 | 25 | 25 | 25 | 25 | 25 | 25 | 25 | — | — | | |

*XL not available with thru wire

CONTROLS

NX Distributed Intelligence™ Lighting Controls:

Supports both indoor and outdoor applications in a variety of deployment options- wired, wireless, hybrid. Integrates with and enables a wide array of luminaires including those with SpectraSync™ Color Tuning Technology.



| NX INTEGRATED CONTROLS REFERENCE | | | | | | | | |
|----------------------------------|---------------------------|-------------|------------|-----------|---------------------|---------------|----------------|---|
| NX Option | Sensor | Networkable | Scheduling | Occupancy | Daylight Harvesting | 0-10V Dimming | On/off Control | Bluetooth® App Programming |
| NX Standalone | | | | | | | | |
| NXS | NXSMP-SMI | No | Yes | Yes | Yes | Yes | Yes | Yes |
| NX Networked – Wired | | | | | | | | |
| NXE | N/A | Yes | Yes | No | No | Yes | Yes | Requires NXBTC/R ¹ |
| NXES | NXSMP-SMI | Yes | Yes | Yes | Yes | Yes | Yes | Yes |
| NX Networked – Wireless | | | | | | | | |
| NXSW | NXSMP-SMI | Yes | Yes | Yes | Yes | Yes | Yes | Yes |
| NXWE | N/A | Yes | Yes | No | No | Yes | Yes | No ² |

1 NXBTC/R needs to be plugged into an available NX SmartPORT™ on the fixture network
 2 To program NXWE option, need to consult factory. If connected to an area controller, programming can be done from that

Philips EasySense Controls ODPG Sensor:



- Occupancy sensing, daylight harvesting, task tuning and grouping in one device
- Standalone control or grouping to wireless switches¹
- Uses Philips field apps for on site commissioning^{2,3}
- Ability to create scenes for various room configurations
- Cost-effective solution for energy-savings and code-compliance strategies
- DLC® Qualified: Listed on the QPL for Networked Lighting Controls. Please refer to the DLC website for specific product qualifications at www.designlights.org

1 Wireless switches only compatible with ODPG Philips EasySense
 2 [See link to Philips commissioning](#)
 3 Requires android device or IR dongle. See links for [phone compatibility](#) and [IR dongle](#)

Wireless Switch Accessories¹

- [PESR-WH](#) EasySense compatible wireless single rocker switch, white
- [PEDR-WH](#) EasySense compatible wireless dual rocker switch, white



SPECTRASAFE

SpectraSAFE™ Integrated Surveillance Lighting System

Technical Features

- High resolution 1080p full HD camera
- 2.8mm lens / 140° field of view
- IR emitter for low / no-light conditions
- [Multiple wiring configurations available](#)
- Supports 2-way audio communication
- Supports 2.4GHz WPA-PSK/WPA2-PSK Wi-Fi
- Data encrypted using AES 256 standard
- Low power consumption (2-5W)
- Transmissions secured using Open TLS / SSL

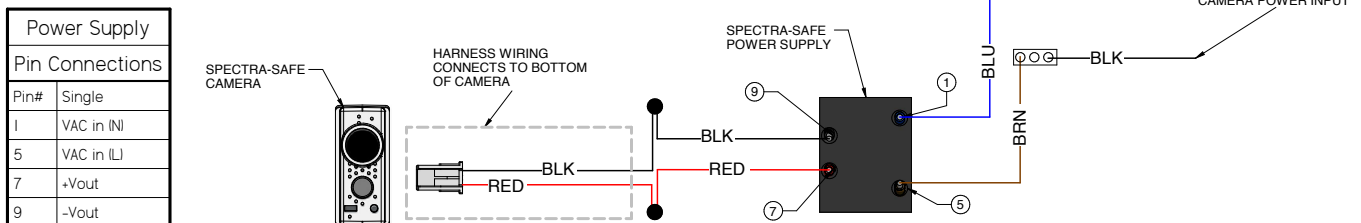


Note: Camera and end cap add 2.2" to the overall length.

Software & Support

- Free Android, iOS and web-based app
- Versatile and supports multiple applications
- Multi-tenant web-based camera application
- Phone and in-app chat technical support
- Scalable cloud services and video storage
- Supported by a 5-year warranty

SPECTRASAFE WIRING DIAGRAM



| | |
|------------|-----------|
| DATE: | LOCATION: |
| TYPE: | PROJECT: |
| CATALOG #: | |

CONTROLS (CONTINUED)

SpectraSync™ Color Tuning Technology:

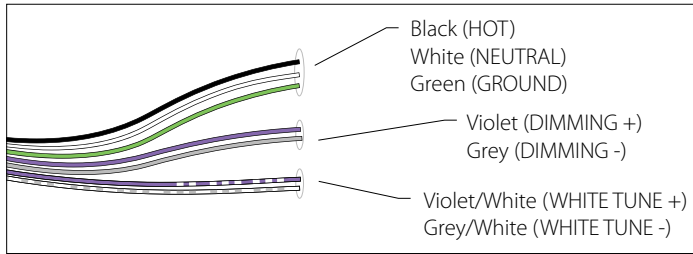
Control your space based on the needs of the application, specific activities throughout the day and preferences of the occupants with distinct SpectraSync™ Color Tuning Technologies.



| SPECTRASYNC COLOR TUNING TECHNOLOGY | | |
|-------------------------------------|----------------------------|--|
| Mode | Kelvin Range | Description |
| Tunable White | 2700K–5000K 2700K–6500K | Offers users the ability to tailor CCT to their personal preference, enhancing task visibility, material and colors or the aesthetics of the space |

SpectraSync Tunable White

Available in two options: 2750T (2700K–5000K) or 2765T (2700K–6500K). Requires two 0–10V controllers, one for intensity and one for CCT. Minimum 5% dimming.

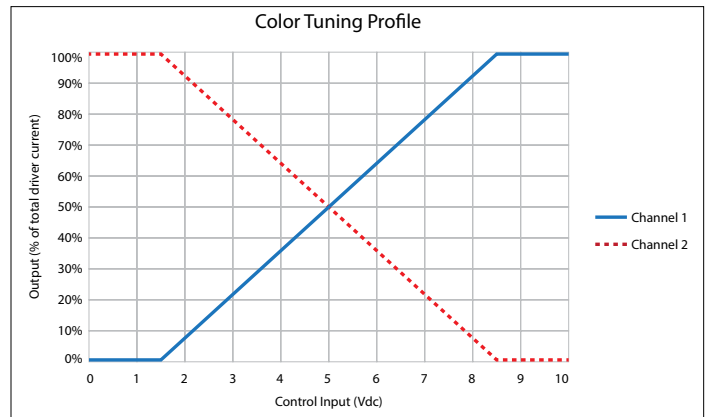


SpectraSync Tunable White luminaires are provided with two 0–10V circuits. The violet and grey circuit is for wiring to any qualified 0–10V controller for dimming. The violet/white and grey/white circuit is for wiring to any qualified 0–10V controller for Tunable White CCT control.

Controller Manufacturer Data

SpectraSync Tunable White was designed to be used with sinking style dimmers (provided by others) and is compatible with:

- Hubbell Control Solutions (HCS): NX Distributed Intelligence™ Room Controllers (NXRC) and In-fixture Controllers (NXFM)
- Lutron: DDTV, DVSTV, and NFTV dimmers
- Wattstopper: ADF120277 and CD4BL (Titan) dimmers



To enable scheduling and for use with NX wall control preset stations please refer to Hubbell Control Solutions NX SpectraSync technical sheet.

SPECTRASYNC™ AND NX AVAILABILITY TABLE



| Size | Lumen package | Only With 80 CRI No Battery Pack | | | Only With 80 CRI With Battery Pack | | |
|------|---------------|-------------------------------------|----|--------|---------------------------------------|----|--------|
| | | CTC | NX | CTC+NX | CTC | NX | CTC+NX |
| 2ft | VW | Y | Y | N | — | — | — |
| | MW | Y | Y | N | — | — | — |
| | LW | Y | Y | N | — | — | — |
| | ML | N | Y | N | — | — | — |
| | HL | N | Y | N | — | — | — |
| 4ft | XW | Y | Y | Y | Y | Y | Y |
| | VW | Y | Y | Y | Y | Y | Y |
| | MW | Y | Y | Y | Y | Y | Y |
| | LW | Y | Y | Y | Y | Y | Y |
| | ML | Y | Y | Y | Y | Y | Y |
| | HL | Y | Y | Y | Y | Y | Y |
| | VL | N | Y | N | N | Y | N |
| 8ft | XL | N | Y | N | N | Y | N |
| | XW | Y | Y | Y | Y | Y | Y |
| | VW | Y | Y | Y | Y | Y | Y |
| | MW | N | Y | N | N | Y | N |
| | LW | N | Y | N | N | Y | N |
| | ML | N | Y | N | N | Y | N |
| | HL | N | Y | N | N | Y | N |

DELIVERED LUMENS

| STANDARD EFFICACY PERFORMANCE TABLE | | | | | | |
|-------------------------------------|---------|---------|--------------|--------|-------------|-----|
| FIXTURE | COLOR | LENS | DISTRIBUTION | LUMENS | INPUT WATTS | LPW |
| MPS2-VW | 3500K | Curve | Wide | 1659 | 13.8 | 120 |
| | | | Narrow | 1597 | 13.5 | 118 |
| | | Flat | Wide | 1584 | 13.5 | 117 |
| | | No Lens | | 1724 | 13.8 | 125 |
| | 4000K | Curve | Wide | 1681 | 13.8 | 122 |
| | | | Narrow | 1618 | 13.5 | 120 |
| Flat | | Wide | 1604 | 13.5 | 119 | |
| | No Lens | | 1746 | 13.8 | 127 | |
| MPS2-MW | 3500K | Curve | Wide | 2201 | 18.2 | 121 |
| | | | Narrow | 2092 | 17.8 | 118 |
| | | Flat | Wide | 2076 | 17.8 | 117 |
| | | No Lens | | 2287 | 18.2 | 126 |
| | 4000K | Curve | Wide | 2229 | 18.2 | 122 |
| | | | Narrow | 2119 | 17.8 | 119 |
| Flat | | Wide | 2102 | 17.8 | 118 | |
| | No Lens | | 2316 | 18.2 | 127 | |
| MPS2-LW | 3500K | Curve | Wide | 2444 | 20.4 | 120 |
| | | | Narrow | 2328 | 19.9 | 117 |
| | | Flat | Wide | 2309 | 19.9 | 116 |
| | | No Lens | | 2540 | 20.4 | 124 |
| | 4000K | Curve | Wide | 2475 | 20.4 | 121 |
| | | | Narrow | 2358 | 19.9 | 118 |
| Flat | | Wide | 2338 | 19.9 | 118 | |
| | No Lens | | 2572 | 20.4 | 126 | |
| MPS2-ML | 3500K | Curve | Wide | 3452 | 29 | 119 |
| | | | Narrow | 3447 | 28.8 | 120 |
| | | Flat | Wide | 3414 | 28.8 | 119 |
| | | No Lens | | 3587 | 29 | 124 |
| | 4000K | Curve | Wide | 3496 | 29 | 121 |
| | | | Narrow | 3491 | 28.8 | 121 |
| Flat | | Wide | 3458 | 28.8 | 120 | |
| | No Lens | | 3632 | 29 | 125 | |
| MPS2-HL | 3500K | Curve | Wide | 3655 | 31.7 | 115 |
| | | | Narrow | 3707 | 31.5 | 118 |
| | | Flat | Wide | 3678 | 31.5 | 117 |
| | | No Lens | | 3797 | 31.7 | 120 |
| | 4000K | Curve | Wide | 3701 | 31.7 | 117 |
| | | | Narrow | 3754 | 31.5 | 119 |
| Flat | | Wide | 3725 | 31.5 | 118 | |
| | No Lens | | 3846 | 31.7 | 121 | |
| MPS4-XW | 3500K | Curve | Wide | 2574 | 20 | 129 |
| | | | Narrow | 2574 | 20 | 129 |
| | | Flat | Wide | 2463 | 20 | 123 |
| | | No Lens | | 2674 | 20 | 134 |
| | 4000K | Curve | Wide | 2606 | 20 | 130 |
| | | | Narrow | 2574 | 20 | 129 |
| Flat | | Wide | 2494 | 20 | 125 | |
| | No Lens | | 2708 | 20 | 135 | |
| MPS4-VW | 3500K | Curve | Wide | 3279 | 26.7 | 123 |
| | | | Narrow | 3152 | 26.5 | 119 |
| | | Flat | Wide | 3134 | 26.5 | 118 |
| | | No Lens | | 3450 | 26.7 | 129 |
| | 4000K | Curve | Wide | 3321 | 26.7 | 124 |
| | | | Narrow | 3192 | 26.5 | 120 |
| Flat | | Wide | 3174 | 26.5 | 120 | |
| | No Lens | | 3564 | 26.7 | 133 | |
| MPS4-MW | 3500K | Curve | Wide | 3656 | 30.4 | 120 |
| | | | Narrow | 3511 | 30.1 | 117 |
| | | Flat | Wide | 3491 | 30.1 | 116 |
| | | No Lens | | 3847 | 30.4 | 127 |
| | 4000K | Curve | Wide | 3702 | 30.4 | 122 |
| | | | Narrow | 3556 | 30.1 | 118 |
| Flat | | Wide | 3535 | 30.1 | 117 | |
| | No Lens | | 3974 | 30.4 | 131 | |
| MPS4-LW | 3500K | Curve | Wide | 4043 | 34.4 | 118 |
| | | | Narrow | 4094 | 32.5 | 126 |
| | | Flat | Wide | 4072 | 32.5 | 125 |
| | | No Lens | | 4255 | 34.4 | 124 |
| | 4000K | Curve | Wide | 4095 | 34.4 | 119 |
| | | | Narrow | 4147 | 32.5 | 128 |
| Flat | | Wide | 4124 | 32.5 | 127 | |
| | No Lens | | 4395 | 34.4 | 128 | |

DELIVERED LUMENS (CONTINUED)

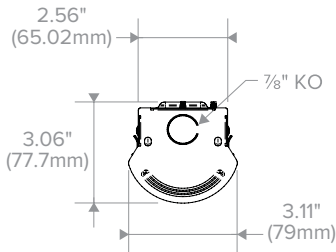
| STANDARD EFFICACY PERFORMANCE TABLE | | | | | | | |
|-------------------------------------|-------|---------|--------------|--------|-------------|------|-----|
| FIXTURE | COLOR | LENS | DISTRIBUTION | LUMENS | INPUT WATTS | LPW | |
| MPS4-ML | 3500K | Curve | Wide | 4556 | 40.1 | 114 | |
| | | | Narrow | 4649 | 37.7 | 123 | |
| | | Flat | Wide | 4625 | 37.8 | 122 | |
| | 4000K | No Lens | Wide | 4794 | 40.1 | 120 | |
| | | | Curve | Wide | 4614 | 40.1 | 115 |
| | | | Narrow | 4709 | 37.7 | 125 | |
| Flat | | Wide | 4684 | 37.8 | 124 | | |
| | | No Lens | Wide | 4952 | 40.1 | 123 | |
| MPS4-HL | 3500K | Curve | Wide | 5760 | 49.5 | 116 | |
| | | | Narrow | 5781 | 49.4 | 117 | |
| | | Flat | Wide | 5741 | 49.4 | 116 | |
| | | | No Lens | Wide | 6061 | 49.5 | 122 |
| | 4000K | Curve | Wide | 5833 | 49.5 | 118 | |
| | | | Narrow | 5855 | 49.4 | 119 | |
| | | | Wide | 5814 | 49.4 | 118 | |
| | | Flat | Wide | 5814 | 49.4 | 118 | |
| | | | No Lens | Wide | 6261 | 49.5 | 126 |
| MPS4-VL | 3500K | Curve | Wide | 6769 | 54.1 | 125 | |
| | | | Narrow | 6675 | 54.1 | 123 | |
| | | Flat | Wide | 6637 | 54.1 | 123 | |
| | 4000K | No Lens | Wide | 7122 | 54.1 | 132 | |
| | | | Curve | Wide | 6855 | 54.1 | 127 |
| | | | Narrow | 6760 | 54.1 | 125 | |
| | | Flat | Wide | 6722 | 54.1 | 124 | |
| | | | No Lens | Wide | 7357 | 54.1 | 136 |
| MPS4-XL | 3500K | Curve | Wide | 8045 | 66.5 | 121 | |
| | | | Narrow | 7878 | 66.8 | 118 | |
| | | Flat | Wide | 7813 | 66.9 | 117 | |
| | | | No Lens | Wide | 8466 | 66.5 | 127 |
| | 4000K | Curve | Wide | 8148 | 66.5 | 123 | |
| | | | Narrow | 7979 | 66.8 | 119 | |
| | | | Wide | 7913 | 66.9 | 118 | |
| | | Flat | Wide | 7913 | 66.9 | 118 | |
| No Lens | Wide | 8745 | 66.5 | 132 | | | |
| MPS8-XW | 3500K | Curve | Wide | 5147 | 40 | 129 | |
| | | | Narrow | 4939 | 39.8 | 124 | |
| | | Flat | Wide | 4925 | 40 | 123 | |
| | | | No Lens | Wide | 5348 | 40 | 134 |
| | 4000K | Curve | Wide | 5213 | 40 | 130 | |
| | | | Narrow | 5002 | 39.8 | 126 | |
| | | | Wide | 4988 | 40 | 125 | |
| | | Flat | Wide | 5416 | 40 | 135 | |
| MPS8-VW | 3500K | Curve | Wide | 6558 | 53.4 | 123 | |
| | | | Narrow | 6303 | 53 | 119 | |
| | | Flat | Wide | 6269 | 53 | 118 | |
| | | | No Lens | Wide | 6814 | 53.4 | 128 |
| | 4000K | Curve | Wide | 6642 | 53.4 | 124 | |
| | | | Narrow | 6384 | 53 | 120 | |
| | | | Wide | 6349 | 53 | 120 | |
| | | Flat | Wide | 6901 | 53.4 | 129 | |
| MPS8-MW | 3500K | Curve | Wide | 7311 | 60.8 | 120 | |
| | | | Narrow | 7022 | 60.2 | 117 | |
| | | Flat | Wide | 6981 | 60.2 | 116 | |
| | | | No Lens | Wide | 7596 | 60.8 | 125 |
| | 4000K | Curve | Wide | 7405 | 60.8 | 122 | |
| | | | Narrow | 7112 | 60.2 | 118 | |
| | | | Wide | 7071 | 60.2 | 117 | |
| | | Flat | Wide | 7693 | 60.8 | 127 | |
| MPS8-LW | 3500K | Curve | Wide | 8087 | 68.8 | 118 | |
| | | | Narrow | 8189 | 65 | 126 | |
| | | Flat | Wide | 8144 | 65 | 125 | |
| | | | No Lens | Wide | 8402 | 68.8 | 122 |
| | 4000K | Curve | Wide | 8190 | 68.8 | 119 | |
| | | | Narrow | 8293 | 65 | 128 | |
| | | | Wide | 8248 | 65 | 127 | |
| | | Flat | Wide | 8510 | 68.8 | 124 | |
| MPS8-ML | 3500K | Curve | Wide | 9111 | 80.2 | 114 | |
| | | | Narrow | 9298 | 75.4 | 123 | |
| | | Flat | Wide | 9250 | 75.6 | 122 | |
| | | | No Lens | Wide | 9466 | 80.2 | 118 |
| | 4000K | Curve | Wide | 9227 | 80.2 | 115 | |
| | | | Narrow | 9417 | 75.4 | 125 | |
| | | | Wide | 9368 | 75.6 | 124 | |
| | | Flat | Wide | 9587 | 80.2 | 120 | |

DELIVERED LUMENS (CONTINUED)

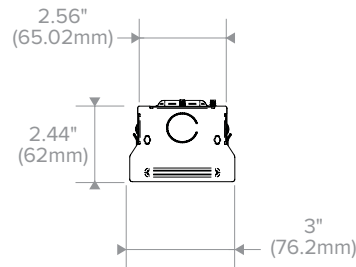
| STANDARD EFFICACY PERFORMANCE TABLE | | | | | | |
|-------------------------------------|-------|---------|--------------|--------|-------------|-----|
| FIXTURE | COLOR | LENS | DISTRIBUTION | LUMENS | INPUT WATTS | LPW |
| MPS8-HL | 3500K | Curve | Wide | 11520 | 99 | 116 |
| | | | Narrow | 11562 | 98.8 | 117 |
| | | Flat | Wide | 11481 | 98.8 | 116 |
| | 4000K | No Lens | | 11969 | 99 | 121 |
| | | Curve | Wide | 11667 | 99 | 118 |
| | | | Narrow | 11710 | 98.8 | 119 |
| | | Flat | Wide | 11628 | 98.8 | 118 |
| | | No Lens | | 12122 | 99 | 122 |
| | | | | | | |
| MPS8-VL | 3500K | Curve | Wide | 13537 | 108.2 | 125 |
| | | | Narrow | 13350 | 108.2 | 123 |
| | | Flat | Wide | 13275 | 108.2 | 123 |
| | 4000K | No Lens | | 14065 | 108.2 | 130 |
| | | Curve | Wide | 13710 | 108.2 | 127 |
| | | | Narrow | 13521 | 108.2 | 125 |
| | | Flat | Wide | 13444 | 108.2 | 124 |
| | | No Lens | | 14245 | 108.2 | 132 |
| | | | | | | |
| MPS8-XL | 3500K | Curve | Wide | 16091 | 133 | 121 |
| | | | Narrow | 15757 | 133.6 | 118 |
| | | Flat | Wide | 15626 | 133.8 | 117 |
| | 4000K | No Lens | | 16718 | 133 | 126 |
| | | Curve | Wide | 16296 | 133 | 123 |
| | | | Narrow | 15958 | 133.6 | 119 |
| | | Flat | Wide | 15826 | 133.8 | 118 |
| | | No Lens | | 16932 | 133 | 127 |

DIMENSIONS

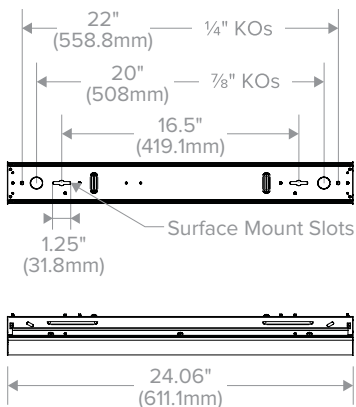
MPS END View - Curve Lens



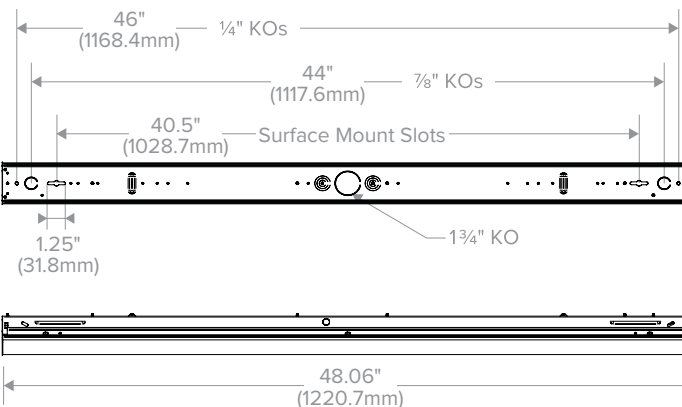
MPS END View - FLAT Lens



MPS 2' Dimensions

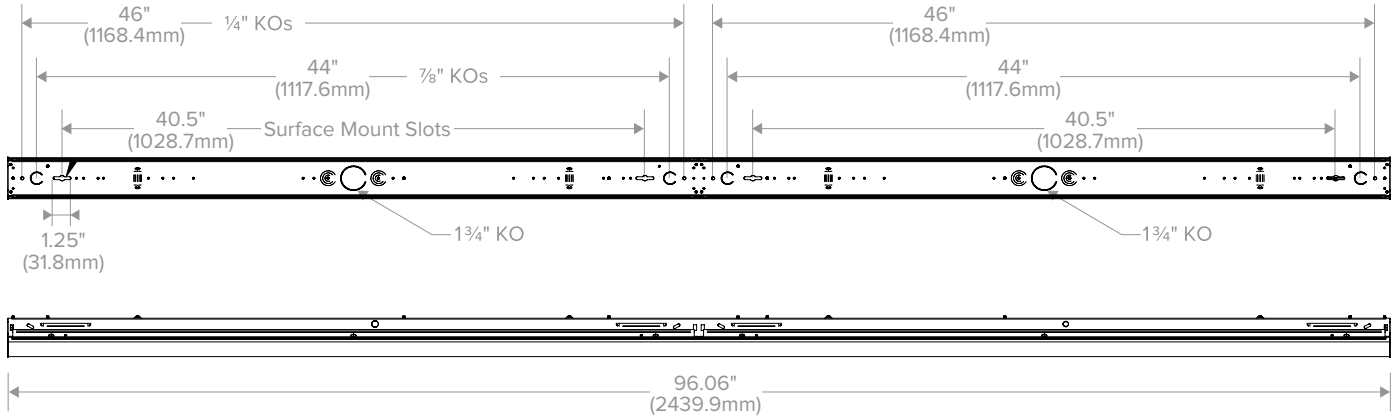


MPS 4' Dimensions



DIMENSIONS (CONTINUED)

MPS 8' Dimensions



PHOTOMETRY

MPS4-40ML-CN-EDU

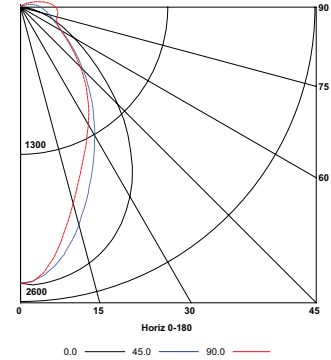
LUMINAIRE DATA

| | |
|-------------------|--|
| Test No. | 19735 |
| Description | MultiPurpose Linear, Narrow, LED 4ft, Frosted Linear Prisms Lens |
| Delivered Lumens | 4742 |
| Watts | 37.70 |
| Efficacy | 126 |
| Mounting | Surface |
| Spacing Criterion | 0° = 1.18 90° = 1.77 |

ZONAL LUMEN SUMMARY

| Zone | Lumens | % Luminaire |
|-------|--------|-------------|
| 0-30 | 1542 | 32.5 |
| 0-40 | 2326 | 49.1 |
| 0-60 | 3518 | 74.2 |
| 0-90 | 4385 | 92.5 |
| 0-180 | 4742 | 100 |

POLAR GRAPH



MPS4-40ML-CW-EDU

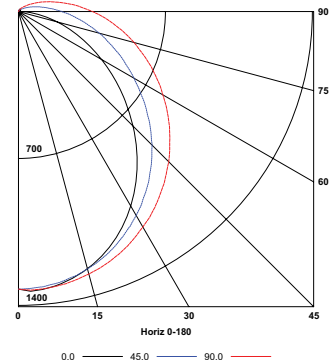
LUMINAIRE DATA

| | |
|-------------------|--|
| Test No. | 19600 |
| Description | MultiPurpose Linear, Wide, LED 4ft, Frosted Linear Prisms Lens |
| Delivered Lumens | 4615 |
| Watts | 40.10 |
| Efficacy | 115 |
| Mounting | Surface |
| Spacing Criterion | 0° = 1.20 90° = 1.33 |

ZONAL LUMEN SUMMARY

| Zone | Lumens | % Luminaire |
|-------|--------|-------------|
| 0-30 | 1029 | 22.3 |
| 0-40 | 1688 | 36.6 |
| 0-60 | 3019 | 65.4 |
| 0-90 | 4248 | 92 |
| 0-180 | 4615 | 100 |

POLAR GRAPH



PHOTOMETRY (CONTINUED)

MPS4-40ML-FW-EDU

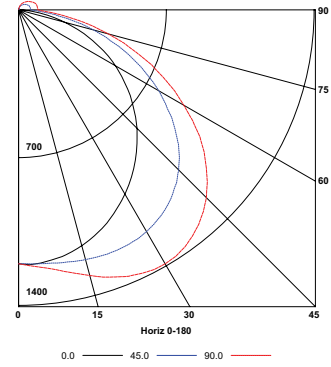
LUMINAIRE DATA

| | |
|-------------------|---|
| Test No. | 19652 |
| Description | MultiPurpose Linear, Wide, LED 4ft, Frosted Linear Prisms Lens |
| Delivered Lumens | 4685 |
| Watts | 37.80 |
| Efficacy | 124 |
| Mounting | Surface |
| Spacing Criterion | 0° = 1.24 90° = 1.67 |

ZONAL LUMEN SUMMARY

| Zone | Lumens | % Luminaire |
|-------|--------|-------------|
| 0-30 | 1026 | 21.9 |
| 0-40 | 1756 | 37.5 |
| 0-60 | 3324 | 70.9 |
| 0-90 | 4435 | 94.7 |
| 0-180 | 4685 | 100 |

POLAR GRAPH



ADDITIONAL INFORMATION

DTS WIRING DIAGRAM (0-10V DIMMING DRIVER SHOWN)

