



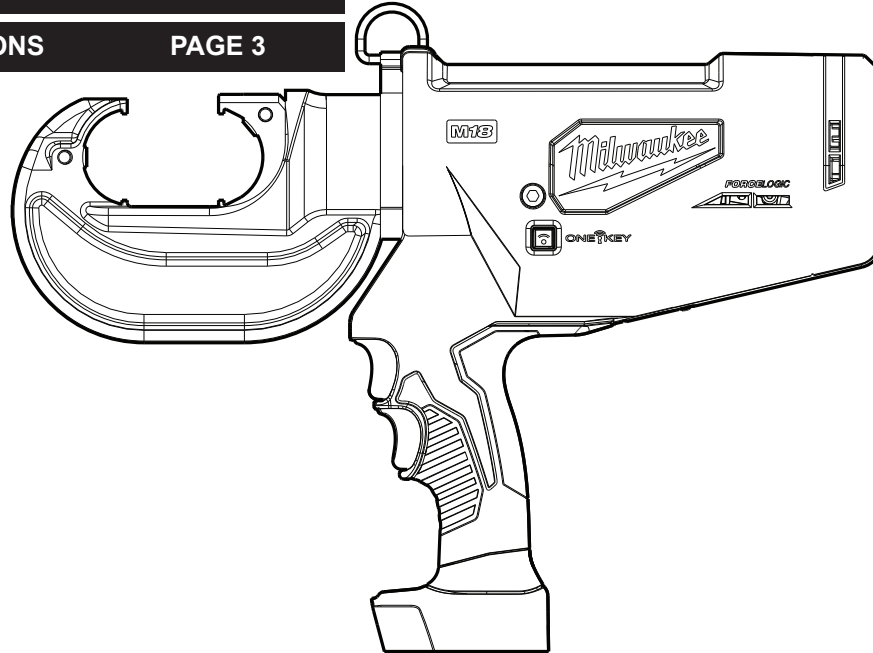
SERVICE PARTS LIST

BULLETIN NO.
54-00-2779

SPECIFY CATALOG NO. AND SERIAL NO. WHEN ORDERING PARTS		REVISED BULLETIN	DATE
M18™ FORCELOGIC™ 750 MCM Crimper			Oct. 2019
CATALOG NO.	2779-20	SERIAL NUMBER	H53A
WIRING INSTRUCTION			

CUTTER HEAD SERVICE PARTS	PAGE 2
U DIES and ACCESSORIES	PAGE 2
LUBRICATION INSTRUCTIONS	PAGE 3

TORQUE SPECIFICATIONS	PAGE 3
-----------------------	--------



Due to the combination of hydraulics and electronics in this tool, service can only be performed at Milwaukee Authorized Hydraulic Repair Centers:

MILWAUKEE TOOL Central Repair

1401 Sycamore Avenue • Greenwood, MS 38930-7277

Please send your tool directly to this location for service.

Or

Via e-Service at: www.milwaukeetool.com/e-service

questions, please call 1.800.SAWDUST (1.800.729.3878)

Or

Visit www.milwaukeetool.com to find your closest Milwaukee authorized Hydraulic repair center

Or

Return it to a MILWAUKEE *factory* Service Center location, freight prepaid and insured. A copy of the proof of purchase should be included with the return product.

If you have questions please contact Milwaukee Product Service at:

Product Technical Support via phone at: 262.783.8642

Or

Via email at: METProductSupport@milwaukeetool.com

Disassembly is not recommended and could void the warranty.

SERVICE PARTS EXPLODED VIEW

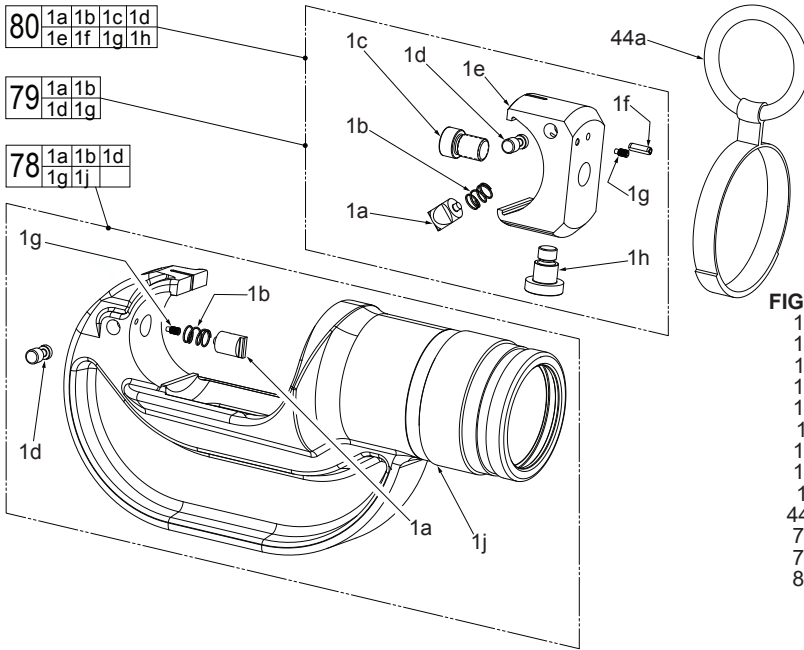


FIG.	PART NO.	DESCRIPTION OF PART	NO. REQ.
1a	-----	Die Holder	(2)
1b	-----	Die Spring	(2)
1c	-----	Cap Screw	(1)
1d	-----	Die Release	(2)
1e	-----	Ram Head	(1)
1f	-----	Roll Pin	(1)
1g	-----	Socket Set Screw	(1)
1h	-----	Head Screw	(1)
1j	-----	Cylinder	(1)
44a	44-90-0028	Lift Ring	(1)
78	28-25-2778	Crimper Head Assembly	(1)
79	43-72-0154	Die Holder Kit	(1)
80	14-12-0125	Ram Head Assembly	(1)
	12-20-2780	Service Nameplate (Not Shown)	(1)
	42-55-2778	Blow Molded Carrying Case (Not Shown)	(1)
	49-32-0110	32oz. FORCELOGIC™ Oil (Not Shown)	(1)

12T COPPER U DIE			
	WIRE SIZE	COLOR CODE	PART NUMBER
COPPER	#8 AWG	RED	49-12-U008C
	#6 AWG	BLUE	49-12-U006C
	#4 AWG	GREY	49-12-U004C
	#2 AWG	BROWN	49-12-U002C
	#1 AWG	GREEN	49-12-U001C
	1/0 AWG	PINK	49-12-U01AC
	2/0 AWG	BLACK	49-12-U02AC
	3/0 AWG	ORANGE	49-12-U03AC
	4/0 AWG	PURPLE	49-12-U04AC
	250 MCM	YELLOW	49-12-U250C
	300 AWG	WHITE	49-12-U300C
	350 MCM	RED	49-12-U350C
	400 MCM	BLUE	49-12-U400C
	500 MCM	BROWN	49-12-U500C
	600 MCM	GREEN	49-12-U600C
750 MCM	BLACK	49-12-U750C	

U DIE KIT 49-12-KITC: Includes #6 AWG through 750 MCM (Total 15 sets)

12T DUAL RATED COPPER/ALUMINUM U DIE			
	WIRE SIZE	COLOR CODE	PART NUMBER
DUAL RATED COPPER/ALUMINUM	#8 AWG	BLUE	49-12-U008
	#6 AWG	GRAY	49-12-U006
	#4 AWG	GREEN	49-12-U004
	#2 AWG	PINK	49-12-U002
	#1 AWG	GOLD	49-12-U001
	1/0 AWG	TAN	49-12-U01A
	2/0 AWG	OLIVE	49-12-U02A
	3/0 AWG	RUBY	49-12-U03A
	4/0 AWG	WHITE	49-12-U04A
	250 MCM	RED	49-12-U250
	300 AWG	BLUE	49-12-U300
	350 MCM	BROWN	49-12-U350
	400 MCM	BLUE	49-12-U400
	500 MCM	BROWN	49-12-U500
	600 MCM	GREEN	49-12-U600
750 MCM	BLACK	49-12-U750	

U DIE KIT 49-12-KITA: Includes #6 AWG through 750 MCM (Total 15 sets)

LUBRICATION INSTRUCTIONS

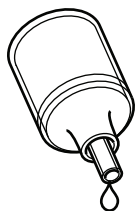
NOTE

Regarding parts to be lubricated:
Apply a light coating of grease to all highlighted parts shown prior to installation. Reference the key for grease type.



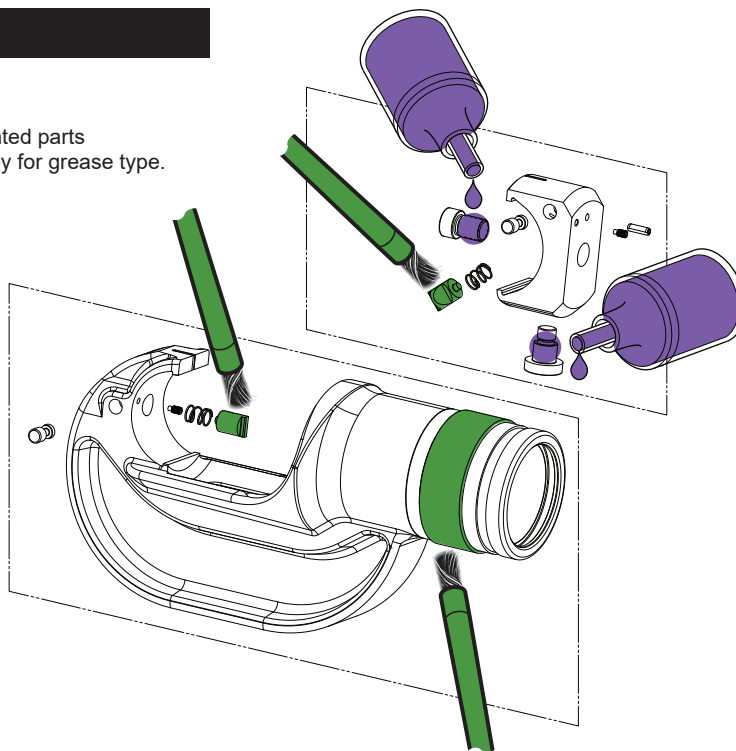
NOTE

Regarding parts to receive thread locking sealant:
Place one to two drops of the recommended Loctite® thread locking sealant (or the equivalent) to threads of parts shown prior to installation.



 ST-80 White Lithium Grease,
No. 49-08-0145

 243 Blue Loctite® Thread Locking Sealant,
No. 44-22-0095



TORQUE SPECIFICATIONS

1c	Cap Screw	207±3 kg/cm	180±2 in/lbs
1h	Alignment Hd. Scr.	203±3 kg/cm	176±2 in/lbs

