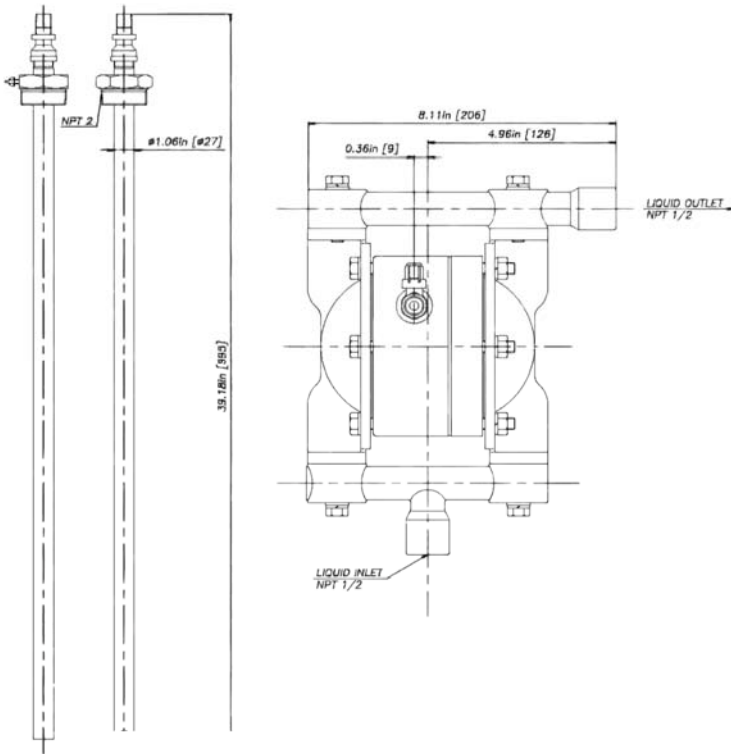
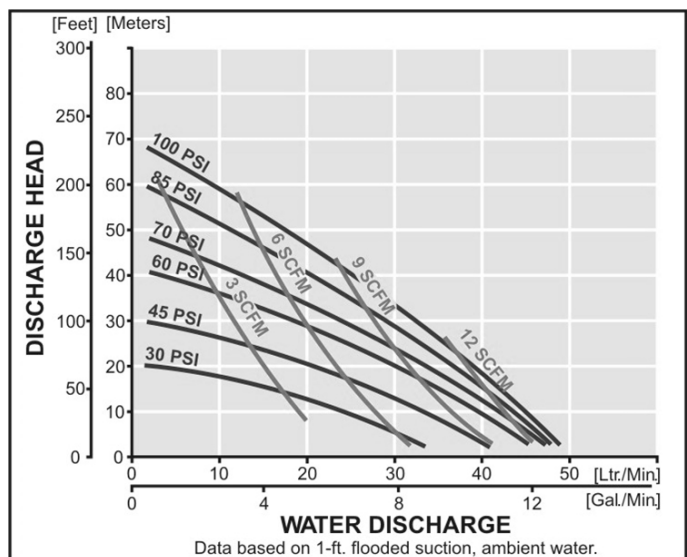
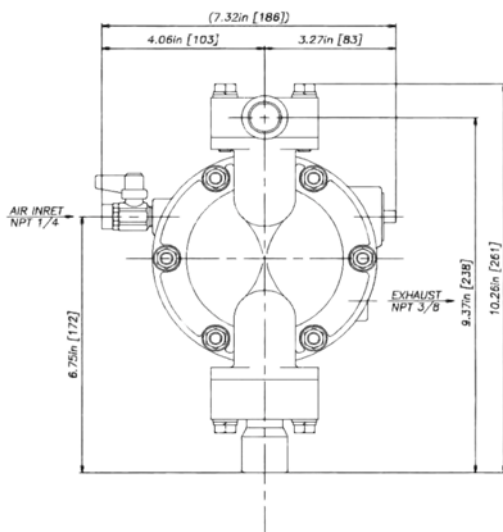


DAYTON AIR-OPERATED DOUBLE DIAPHRAGM PUMP

53JU97

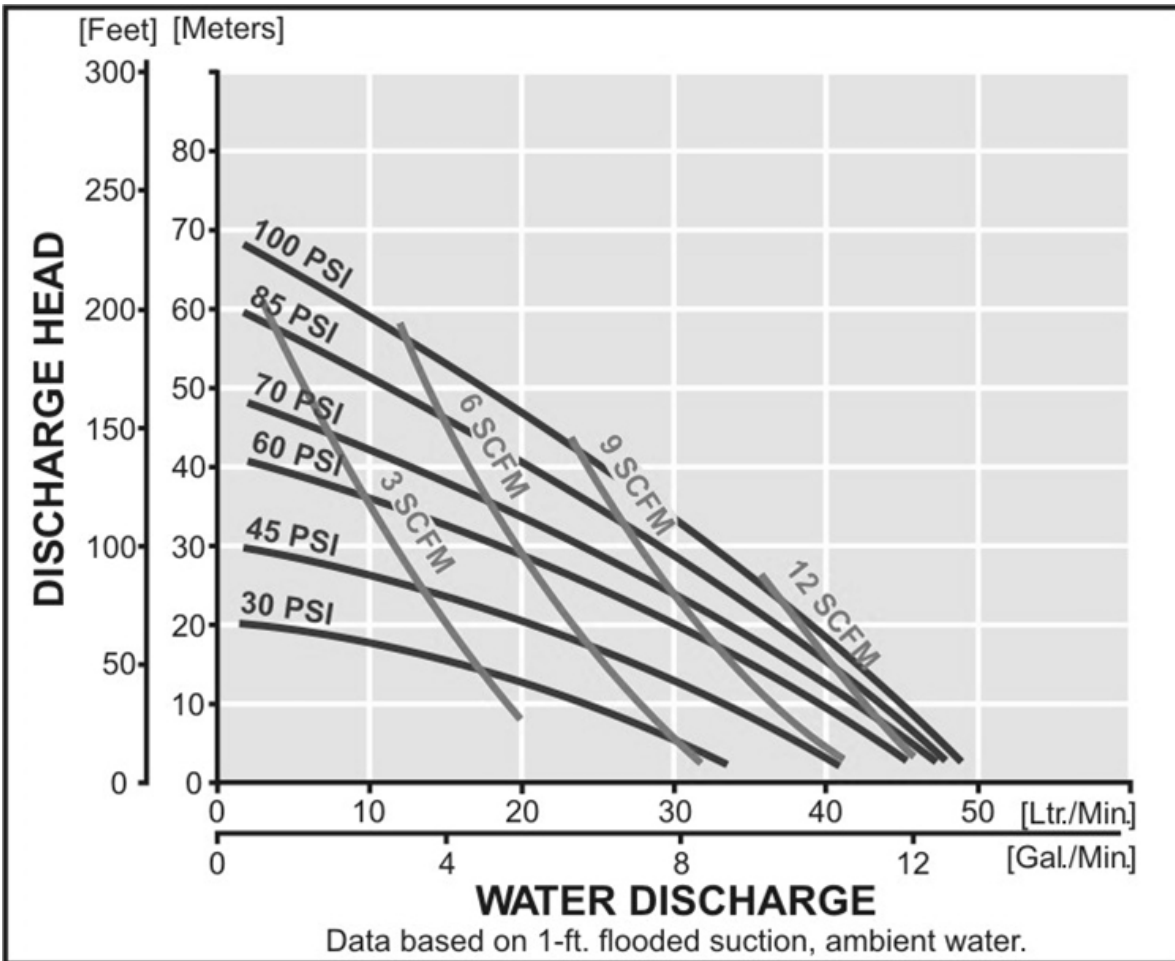


SHIPPING WEIGHT	27 LBS
MAXIMUM LIQUID TEMPERATURE	212°F (100°C)
INTAKE & DISCHARGE PORTS	1/2" PORT, NPT
FLOW	0 - 12.5 GPM MAX
MAX AIR SUPPLY PRESSURE	100 PSI (1.4 - 7 KGF/CM ²)
BODY MATERIAL	STAINLESS STEEL
LIFT - DRY, WET	15 FT, 28 FT
AIR VALVE	
LUBRICATION	NO LUBRICATION REQUIRED
MANUAL OVERRIDE	YES
LIQUID SIDE	
EASY REPAIR	YES
BALL CHECK VALVE	PTFE
O-RINGS	PTFE
DIAPHRAGMS	PTFE



Find it at Grainger.

Call or visit your local branch or go to grainger.com/Dayton for complete

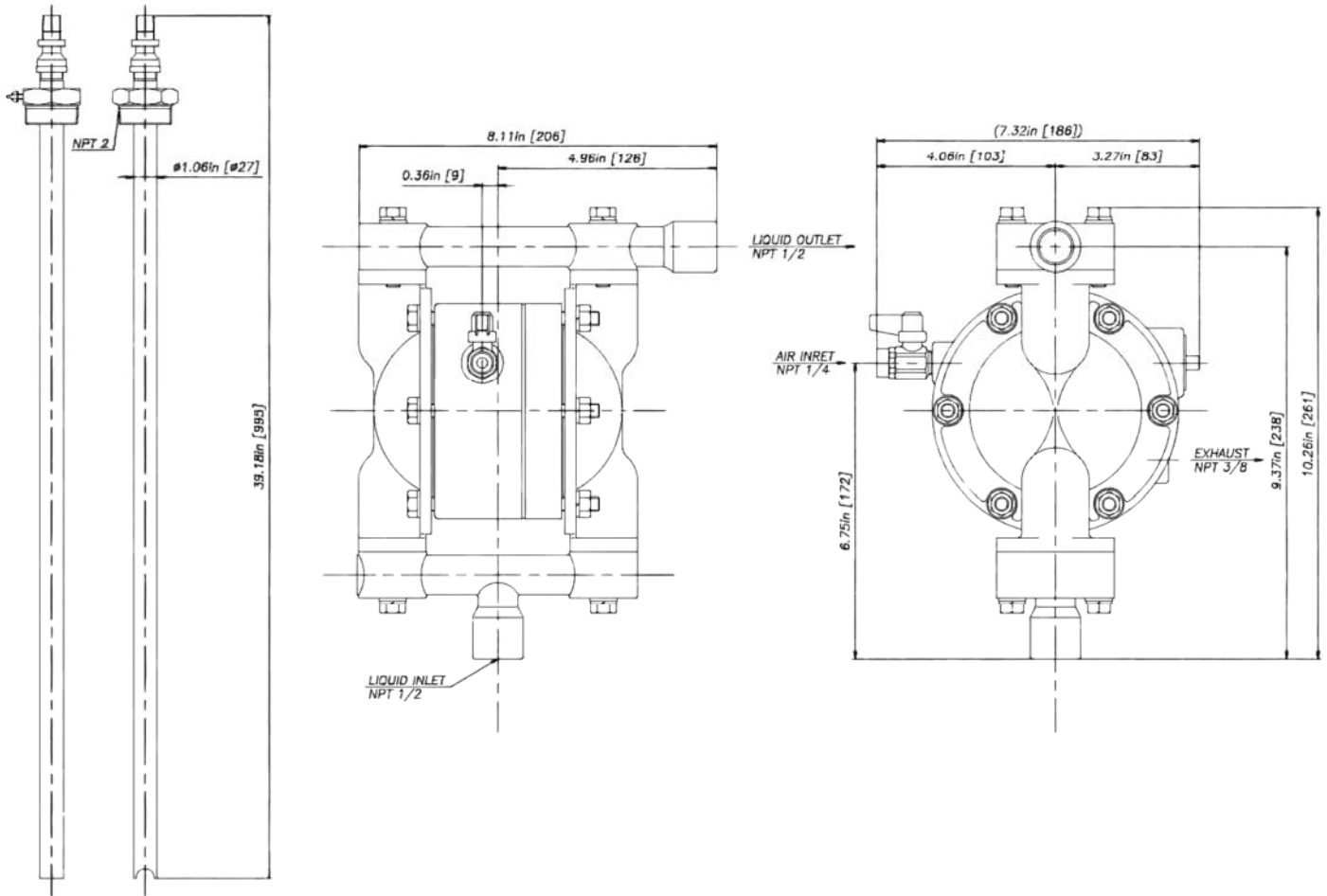


Find it at Grainger.

Call or visit your local branch or go to grainger.com/Dayton for complete

DAYTON AIR-OPERATED DOUBLE DIAPHRAGM PUMP

53JU97



Find it at Grainger.

Call or visit your local branch or go to [grainger.com/Dayton](https://www.grainger.com/Dayton) for complete