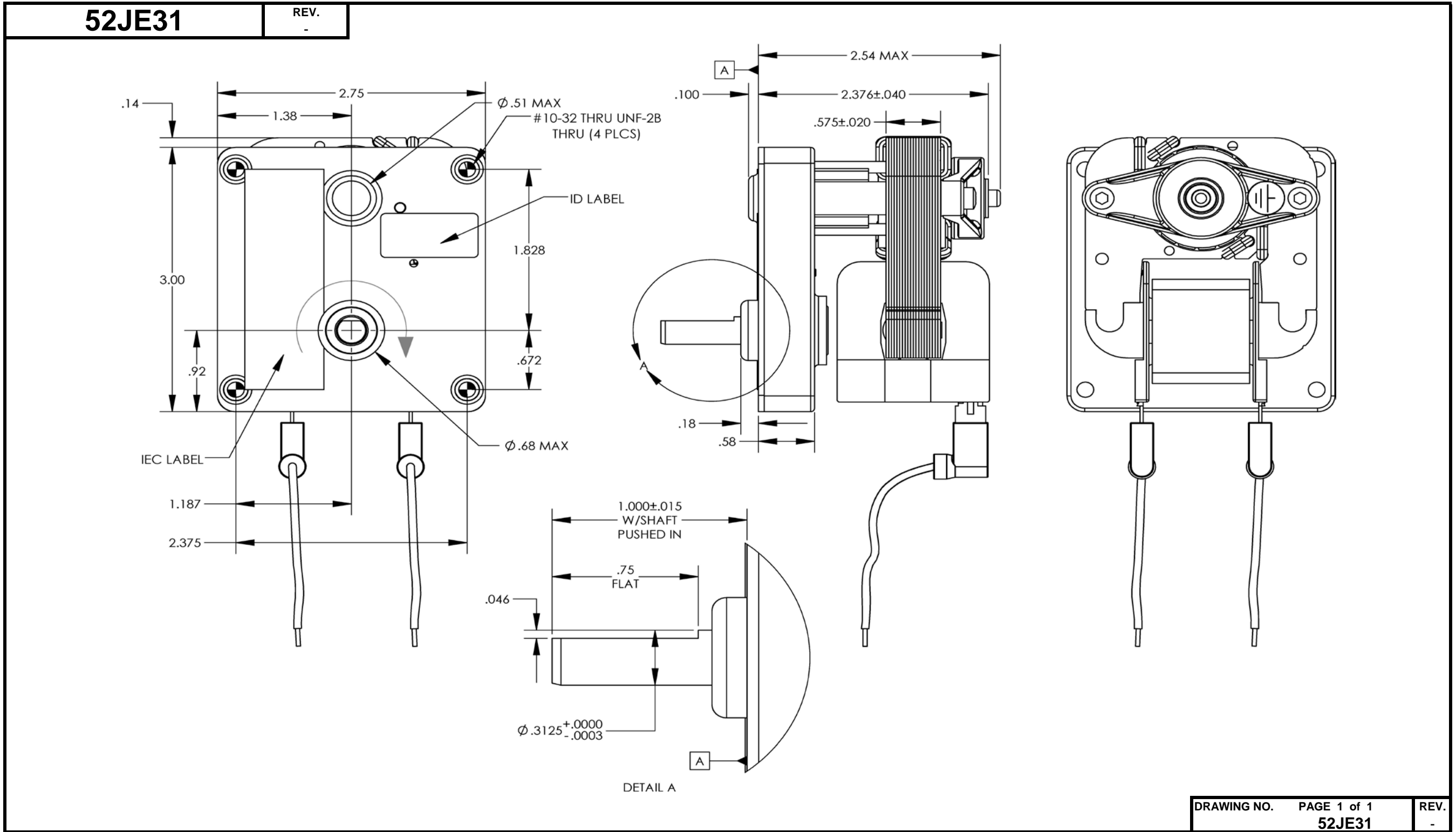


# Dimensional Drawing



DRAWING NO.	PAGE 1 of 1	REV.
52JE31		-