

# TD – 78274 A

## FL-ER 410



MOSMATIC

### Economy surface cleaner

#### Technical Data

Pressure	4000psi (27.5Mpa)
Temperature	250°F
RPM	max. 2000 rpm
Housing	ø16"
Water connection	3/8"NPTF
Nozzle connection	2x 1/8"NPTF
Throughput medium	water (pH 3-12)



 swiss quality

MOSMATIC AG  
CH-9126 Necker

Datum / Date: 07.03.2016 | Änderungen vorbehalten | Subjects to change without notice

car wash technology | high pressure cleaning technology | rotary unions

S. 1/3

**Economy surface cleaner**

**Indication:** (original language German)

- Read all instructions, check overall conditions and safety requirements before initial operation of the product.
- Our products should only be installed by experienced users of high pressure equipment.
- Safety regulations and guidelines (Accident Prevention Rules) from the manufacturer of your high pressure cleaner are applicable.
- Nozzle installation according to Nozzle manufacturer.
- Do not move the product over objects or uneven surfaces.
- Do not run the product if the rotor-arm is out of balance or bent, damage to the swivel will result.
- No modifications to the product are permitted.

**Caution:**

- Always use protection gear when using products connected to high pressure.
- Before any maintenance or nozzle-change, turn off the high pressure water supply, e.g.: turn off and secure the power switch.
- After turning off the system, allow all self-propelled equipment to come to a complete stop before handling. Risk of injury due the rotor-arm.
- Do not lift up the product while operating.

**Warning:**

- Never direct any high pressure water-jet at humans, animals or electric installations.
- Do not touch the rotor-arm during operation. Risk of injury.

	<b>Declaration of Conformity</b> Pressure Equipment Directive 97/23/EC Annex III.
Manufacturer:	<b>Mosmatic AG</b> Oberhellenschwilerstrasse 6 CH - 9126 Necker Switzerland Phone: +41 (0) 71 375 64 64 Internet: www.mosmatic.com
We hereby declare that the product listed below based on the conception, design and construction in the design as we launch the product, conclusively at the time of the declaration applicable alterations, conforms to the safety requirements of the Pressure Equipment Directive.	
Product Description:	High Pressure Accessories
Type:	FL / DR / RDW / SPI / TYR / TYW
Product Characteristics:	Pressure Equipment Directive 97/23/EC Article 3 / Number 1.3 / Letter a) / Second dash Article 3 / Number 1.3 / Letter b) / Second dash Fluid Group 2
Applied Conformity Assessment Procedure:	Directive 97/23/EC Module H (Full Quality Assurance)
EC Standard Guidelines:	Machinery Directive 2006/42/EG Pressure Equipment Directive 97/23/EC
Applied Harmonized Standards:	ISO 12100:2011 - Safety of Machinery ISO 9001:2008 - Quality Management System
Authorised Person:	Patrick Rieben
<i>By any modification from the product, alterations on the product or the fitting of non-approved spares is the validity of the declaration of conformity with immediately effective terminated.</i>	
Necker, 2015	Signature: 

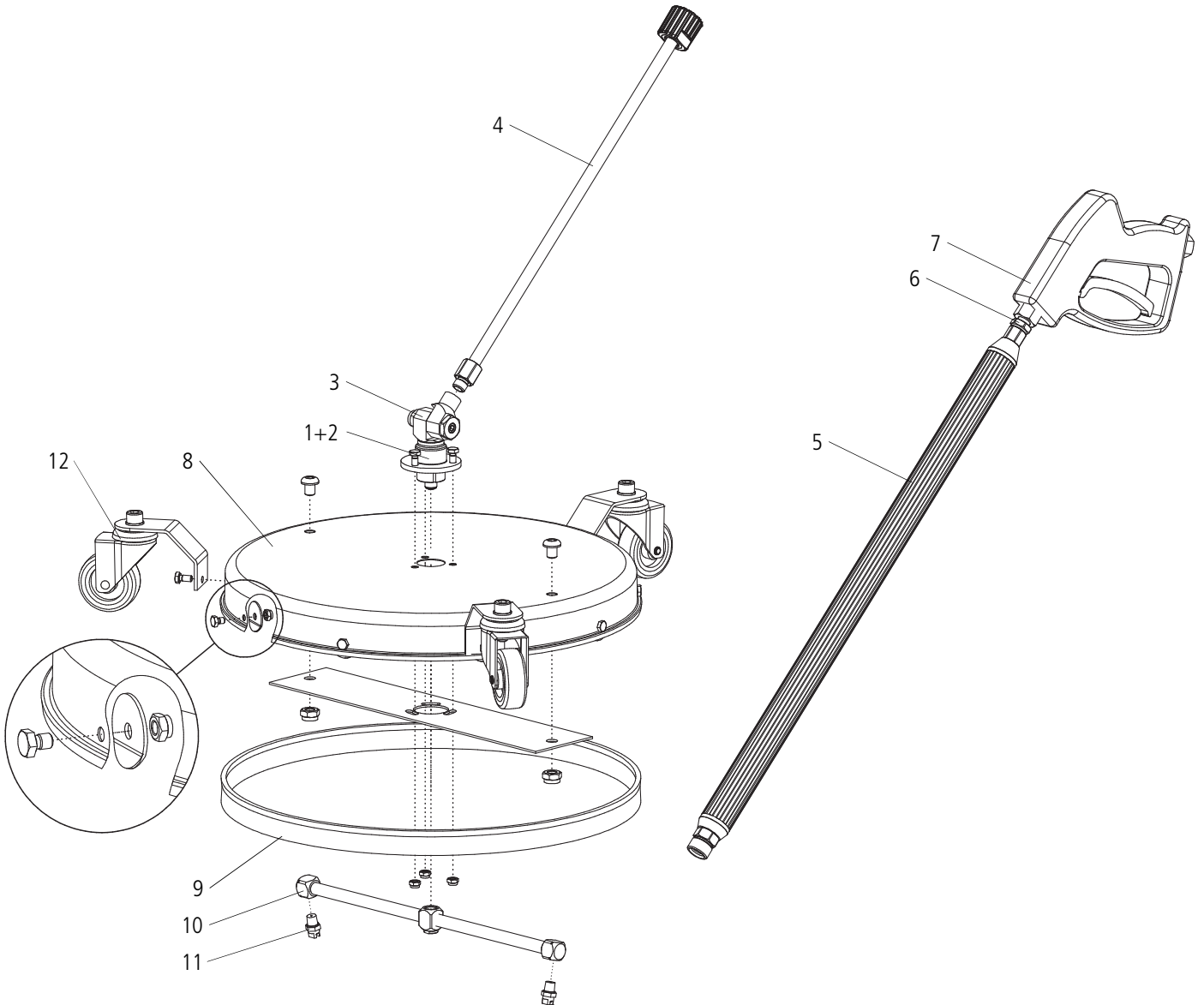
# TD – 78274 A

## FL-ER 410



# MOSMATIC

### Economy surface cleaner



#### Spare parts list

Pos.	Art. Nr.	Description
1	58.908	Toggle swivel (KDYF)
2	36.905	Carbide seal-kit
3	42.904	KGK seal-kit
4	78.908	Extension
5	78.907	Lance
6	51.103	Adaptor G1/4" M - 1/4" NPTM
7	29.081	HP-gun (5000psi)
8	903.946	Cover
9	903.715	Brush ring
10	82.625	Rotor-arm (ø14")
11	1503	HP-nozzle (1503)
12	80.943	Stainless steel caster (ø2.4")

 swiss quality

MOSMATIC AG  
CH-9126 Necker

Datum / Date: 07.03.2016 | Änderungen vorbehalten | Subjects to change without notice

**car wash technology | high pressure cleaning technology | rotary unions**

S. 3/3