

# FL-EB 200

No. 78.250

# FL-EG 200

No. 78.260

# FL-EG 300

No. 78.262

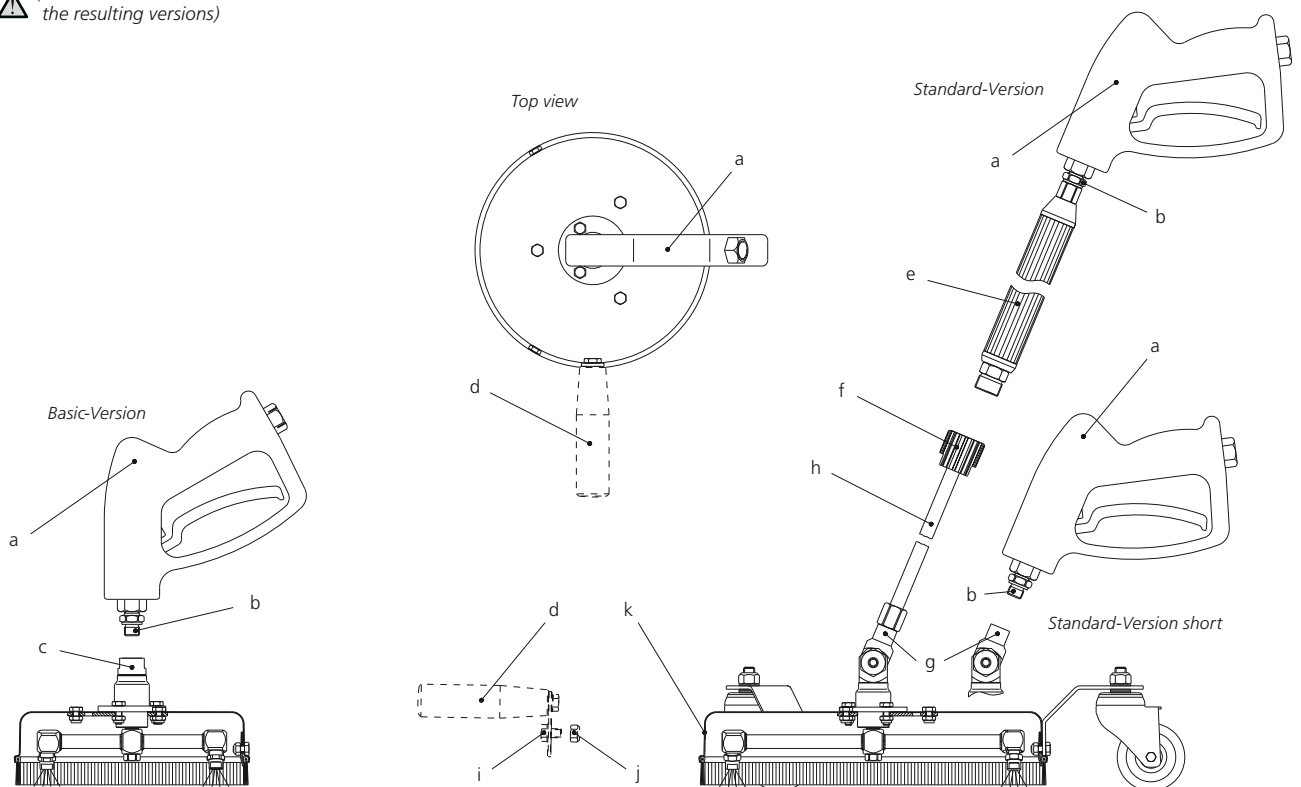
# FL-ER 300

No. 78.272

## Economy Surface Cleaner

### Assembly instructions

⚠ (This instruction is valid for the base model as well as for the resulting versions)



#### Basic-Version (FL-EB 200)

1. Install the HP-gun (a) with the preinstalled adapter (b) to the swivel (c).

⚠ Note: Install the HP-gun (a) in a 90° angle to the handle (d / accessories) (see top view).

#### Standard-Version

1. Install the wand (e) to the quick-connect (f).

#### Standard-Version short

1. To use the short version with toggle swivel (g), detach the HP-gun (a) from the wand (e).
2. Detach the extension piece (h) including wand (e) from the toggle swivel (g).
3. Install the HP-gun (a) directly to the toggle swivel (g).
4. Use bolt (i) and nut (j) to install the handle (d) to the housing (k). (Pos. d, i, j = accessories)

⚠ Note: Install the HP-gun (a) in a 90° angle to the handle (d / accessories) (see top view).

#### ⚠ For your own safety

- Read all instructions before the initial operation. Check their proper condition and that they operate safely.
- Always use protection gear when using products connected to high pressure.
- Before any maintenance or nozzle-change, turn off the high pressure water supply, e.g.: turn off and secure the power switch.
- After turning off the system, allow all self propelled equipment to come to a complete stop before handling.
- Safety regulations and guidelines (Accident Prevention Rules) from the manufacturer of your high pressure cleaner are applicable.
- Nozzle installation according to nozzle manufacturer.
- Do not move the unit over objects or uneven surfaces.
- Do not lift up the unit while operating.
- Do not run the unit if spray-arm is out of balance or bent, damage to the swivel will result.
- No modifications to the unit are permitted.
- The equipment may be installed and used only by particularly trained technical personnel.

# FL-EB 200

No. 78.250

# FL-EG 200

No. 78.260

# FL-EG 300

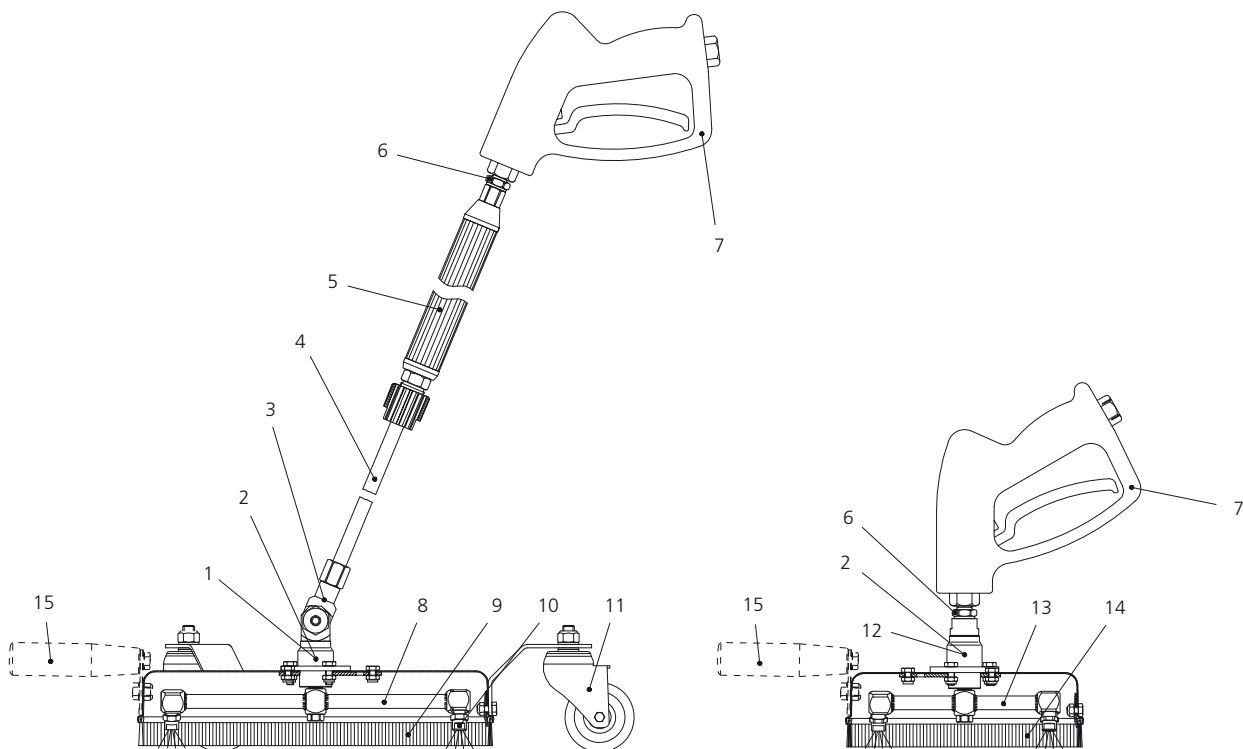
No. 78.262

# FL-ER 300

No. 78.272

## Economy Surface Cleaner

### Spare parts List



Pos.	Part No.	Description
1	58.908	Toggle Swivel KDYF
2	36.906	Carbide seal-kit
3	42.904	KGK-Seal-kit
4	78.908	Extension
5	78.907	HP-wand
6	51.103	Adapter 1/4"NPT-M - G1/4"M
7	29.081	HP-gun 4000 psi
8	82.623	Turbo-rotor-arm Dia. 10"
9	901.492	Brush ring for Dia. 12"
10	1503	HP-nozzle 1503
11	80.943	Stainless steel caster
12	58.000	Swivel DYF
13	82.621	Turbo-rotor-arm Dia. 6"
15	901.490	Brush ring for Dia. 8"

#### Accessories

Pos.	Part No.	Description
15	78.945	Handle