



**SPEEDAIR®**



## Micromist Lubricator

Models: 4ZL58A, 4ZL60A, 4ZL62A



**PLEASE READ AND SAVE  
THESE INSTRUCTIONS.  
READ CAREFULLY  
BEFORE ATTEMPTING  
TO ASSEMBLE, INSTALL,  
OPERATE OR MAINTAIN THE  
PRODUCT DESCRIBED.**

**PROTECT YOURSELF AND  
OTHERS BY OBSERVING ALL  
SAFETY INFORMATION. FAILURE  
TO COMPLY WITH INSTRUCTIONS  
COULD RESULT IN PERSONAL  
INJURY AND/OR PROPERTY DAMAGE!  
RETAIN INSTRUCTIONS FOR FUTURE  
REFERENCE.**

**PLEASE REFER TO BACK COVER  
FOR INFORMATION REGARDING  
DAYTON'S WARRANTY AND OTHER  
IMPORTANT INFORMATION.**

**Model #:** \_\_\_\_\_

**Serial #:** \_\_\_\_\_

**Purch. Date:** \_\_\_\_\_

*Printed in China  
NSC100 / Version 2/ 12/ 23/2019  
© 2019 W.W. Grainger, Inc.  
All Rights Reserved*



## **BEFORE YOU BEGIN**

### **Unpack**

- After unpacking unit, inspect carefully for any damage that may have occurred during transit. Check for loose, missing, or damaged parts. Shipping damage claim must be filed with carrier.

GETTING STARTED

SAFETY /  
SPECIFICATIONS

INSTALLATION  
INSTRUCTIONS

OPERATION  
INSTRUCTIONS

MAINTENANCE

REPAIR PARTS



- See General Safety Instructions on page 2.



## GENERAL SAFETY INFORMATION

Speedaire MICROMIST air line lubricators are designed to deliver an atomized oil mist to the compressed air which drives an air-powered tool and/or air motor, etc, and lubricates the interior moving part(s) of the tool and/or motor, extending the tool/motor life. These lubricators are equipped with a sight-feed dome, a green drip rate adjustment, and a flow sensor. The sight-feed dome provides visual indication of oil drop rate. The green drip rate adjustment regulates oil drop rate. The flow sensor compensates for changes of air flow demands.

The device may only be operated in the permanent installation in pressured air systems. Improper use or modifications to the device or the use of its components which are not tested and approved by the manufacturer may result in unforeseen damage.

Air line lubricators are used in a variety of air systems which may go with air compressor, filters, regulators, hoses, etc. Read and understand all safety instructions, installation instructions and operation instructions before using this unit. Basic safety precautions should always be followed to reduce the risk of personal injury and/or property damage.

### GENERAL SAFETY INSTRUCTIONS

1. Read all safety instructions. Failure to do so may cause harm to you and others.
2. Keep children and unauthorized persons away from the device. Ensure that children are not able to play with the device.
3. Do not overload the device. Do not use the device for purposes for which it is not intended.
4. Always make sure that the air line is in good condition.
5. Hose and connection should be inspected to avoid any leakage before each use.
6. Residual air in the system needs to be released before service or repair.
7. Ensure that all connections and supply lines are rated for the required pressure and air flows.

## SPECIFICATIONS

Model	Max. Inlet Press.	Max. temp.	Max. Flow	Main Ports	Bowl	Wt. (lbs)
4ZL58A	250 psi	175°F	160 cfm	3/4"	Metal	3.73
4ZL60A	250 psi	175°F	275 cfm	1"	Metal	3.56
4ZL62A	250 psi	175°F	275 cfm	1-1/2"	Metal	3.67

- Air supply must be dry enough to avoid ice formation below +35°F.
- At 150 psi inlet pressure, set pressure of 90 psi, and a 15 psi pressure drop.

## DIMENSIONS (inch)

Grainger Items No.	Length (In./mm)	Width (In./mm)	Height (In./mm)
4ZL58A	4.50/114	4.32/110	12.43/317
4ZL60A	4.50/114	4.32/110	12.43/317
4ZL62A	4.50/114	4.32/110	12.43/317

## INSTALLATION INSTRUCTIONS

1. Before installation, check whether the connections used match the maximum pressure of the lubricator.
2. Shut off air pressure from air system. Install the lubricator vertically with the bowl down in the air line. Ensure that the lubricator is installed with inlet/outlet air flow in the proper direction of arrow on the unit. The lubricator should be installed downstream of filter(s), regulator(s), and cycling valve(s) in the air line, and should be as close as possible to the device being lubricated (usually not more than 15 feet from the device). It is still essential that the lubricator should be installed at the same height or higher than the device being serviced.
3. Connect pipes to the inlet and outlet ports using pipe thread sealant tape on male threads only. When screwing pipes together, prevent ingress of shavings and sealant to the interior of the unit. Contaminations in the unit may cause it to fail.
4. Make sure that all connections to the lubricator are tight and secure.
5. Turn bowl into body until arrowhead is in line with or to the right of the arrowhead on body before pressurizing.
6. The lubricator must be installed in such a way that no mechanical force or tension occurs.

## OPERATING INSTRUCTIONS (See Figure 2)

1. Ensure that the pressure to the air inlet of the lubricator from air line does not exceed the maximum pressure specified in the instructions.
2. Remove the fill plug, add oil and re-install the fill plug, which can be done without shutting off air pressure to the lubricator. Use good quality, light, misting type of oil for air-powered tool/motor.





3. Fill the oil to the maximum fill line on the transparent bowl, or oil level should always be visible in the lens on metal bowl. **DO NOT OVERFILL.**  
**NOTE:** Oil fill plug seals easily. Tighten finger-tight only.
4. Turn on the air line system to obtain the required pressure to the lubricator.
5. Adjust the lubricator drip rate only when there is a constant rate of air flow through the lubricator. Monitor drip rate through the sight feed dome.
6. Determine the average rate of air flow through the lubricator. Turn the slotted rotator in the sight feed dome to obtain the recommended drops per minute. See Drip Rate Chart. Turn the rotator counterclockwise to increase the drip rate or clockwise to decrease the drip rate.  
**NOTE:** The overall travel of the rotator is 320 degree.
7. Monitor the device being lubricated for a few days following the above drip rate adjustment and see how well the device works, then determine whether the drip rate at the lubricator should be adjusted for higher or lower level.
8. NEVER apply lubricated compressed air to run a spray gun, since paint mixed with oil will spoil the finish of workpiece being sprayed.

## DIAGRAMS

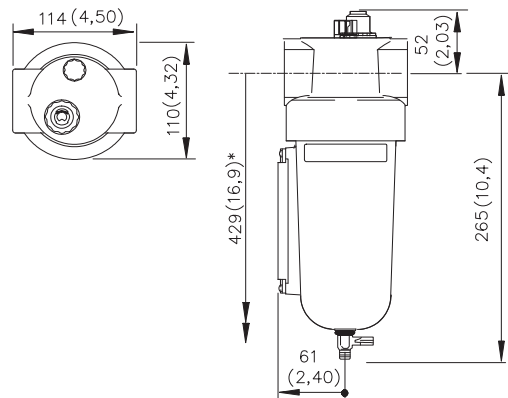


figure 1



## MAINTENANCE

### Maintenance Steps

- 1 **Disassembly (See Figure 2)**
  - Lubricator can be disassembled without removal from air line.
  - Shut OFF inlet pressure. Reduce pressure in inlet and outlet lines to zero
  - Unscrew bowl.
  - Disassemble in general accordance with the parts illustrated in Figure 2. Do not remove the drain unless replacement is necessary. Remove and replace only when drain malfunctions. Do not remove the siphon tube unless replacement is necessary.
- 2 **Cleaning(See Figure 2)**
  - Clean all parts with warm water and soap.
  - Rinse and dry parts. Blow out internal passages in body with clean, dry, compressed air
  - Inspect parts. Replace those found to be damaged.
- 3 **Assembly (See Figure 2)**
  - Lubricate O-rings, the portion of the manual drain body that contacts the bowl, and the hole in the manual drain body that accommodates the stem of the drain valve with O-ring grease.
  - Assemble lubricator as shown in Figure 2.
  - Assemble sight glass kit (Ref. No.5) to bowl. Apply a 2 to 4 pound clamping force to upper and lower sight glass brackets to pull brackets together, then tighten screw (A) per torque table.
  - Torque these parts listed in Torque Table.
  - Turn the bowl into body until arrowhead is in line with or to the right of the arrowhead on body.

### Torque Table

Parts Ref. No.	Inch Pounds (N-m)
Screw	8 to 10 (0.9 to 1.13)
Fog generator	20 to 25 (2.3 to 2.8)
Dome	20 to 25 (2.3 to 2.8)

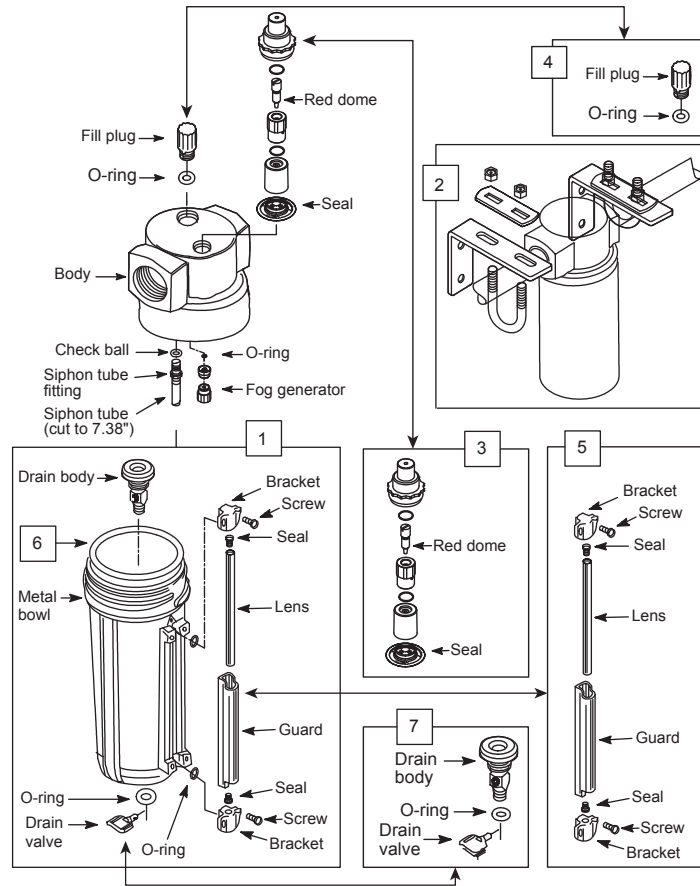
**SPEEDAIRE®****REPAIR PARTS ILLUSTRATION FOR 4ZL58A, 4ZL60A, 4ZL62A**

figure 2

**For Repair Parts, call 1-800-323-0620**  
**24 hours a day - 365 days a year**

Please provide following information:

- Model number
- Serial number (if any)
- Part description and number as shown in parts list

**SPEEDAIRE®****REPAIR PARTS ILLUSTRATION FOR 4ZL58A, 4ZL60A, 4ZL62A**

Ref. No.	Parts Description	Part No.	Qty.
1	Metal bowl and O-ring	114X39	1
2	Wall bracket (3/4" & 1" ported units)	4ZK72A	1
3	Oil adjust dome assembly	114X41	1
4	Oil full plug & O-Ring	114X44	1
5	Sight glass kit	114X63	1
6	O-ring	114X71	1
7	Manual drain kit	114X72	1

## **SPEEDAIRE ONE-YEAR LIMITED WARRANTY**

**SPEEDAIRE ONE-YEAR LIMITED WARRANTY.** All Speedaire® product models covered in this manual are warranted by Dayton Electric Mfg. Co. ("Dayton") to the original user against defects in workmanship or materials under normal use for one year after date of purchase. If the Speedaire Product is part of a set, only the portion that is defective is subject to this warranty. Any product or part which is determined to be defective in material or workmanship and returned to an authorized service location, as Dayton or Dayton's designee designates, shipping costs prepaid, will be, as the exclusive remedy, repaired or replaced with a new or reconditioned product or part of equal utility or a full refund given, at Dayton's or Dayton's designee's option, at no charge. For limited warranty claim procedures, see "Warranty Service" below. This warranty is void if there is evidence of misuse, mis-repair, mis-installation, abuse or alteration. This warranty does not cover normal wear and tear of Speedaire Products or portions of them, or products or portions of them which are consumable in normal use. This limited warranty gives purchasers specific legal rights, and you may also have other rights which vary from jurisdiction to jurisdiction.

**WARRANTY DISCLAIMERS AND LIMITATIONS OF LIABILITY RELATING TO ALL CUSTOMERS FOR ALL PRODUCTS LIMITATION OF LIABILITY.** TO THE EXTENT ALLOWABLE UNDER APPLICABLE LAW, DAYTON'S LIABILITY FOR CONSEQUENTIAL AND INCIDENTAL DAMAGES IS EXPRESSLY DISCLAIMED. DAYTON'S LIABILITY IN ALL EVENTS IS LIMITED TO AND SHALL NOT EXCEED THE PURCHASE PRICE PAID.

**WARRANTY DISCLAIMER.** A DILIGENT EFFORT HAS BEEN MADE TO PROVIDE PRODUCT INFORMATION AND ILLUSTRATE THE SPEEDAIRE PRODUCTS IN THIS LITERATURE ACCURATELY; HOWEVER, SUCH INFORMATION AND ILLUSTRATIONS ARE FOR THE SOLE PURPOSE OF IDENTIFICATION, AND DO NOT EXPRESS OR IMPLY A WARRANTY THAT THE SPEEDAIRE PRODUCTS ARE MERCHANTABILITY, OR FIT FOR A PARTICULAR PURPOSE, OR THAT THE SPEEDAIRE PRODUCTS WILL NECESSARILY CONFORM TO THE ILLUSTRATIONS OR DESCRIPTIONS. EXCEPT AS PROVIDED BELOW, NO WARRANTY OR AFFIRMATION OF FACT, EXPRESSED OR IMPLIED, OTHER THAN AS STATED IN THE "LIMITED WARRANTY" ABOVE IS MADE OR AUTHORIZED BY DAYTON.

**PRODUCT SUITABILITY.** MANY JURISDICTIONS HAVE CODES AND REGULATIONS GOVERNING SALES, CONSTRUCTION, INSTALLATION, AND/OR USE OF PRODUCTS FOR CERTAIN PURPOSES, WHICH MAY VARY FROM THOSE IN NEIGHBORING AREAS. WHILE ATTEMPTS ARE MADE TO ASSURE THAT SPEEDAIRE PRODUCTS COMPLY WITH SUCH CODES, DAYTON CANNOT GUARANTEE COMPLIANCE, AND CANNOT BE RESPONSIBLE FOR HOW THE PRODUCT IS INSTALLED OR USED. BEFORE PURCHASE AND USE OF A PRODUCT, REVIEW THE SAFETY/ SPECIFICATIONS, AND ALL APPLICABLE NATIONAL AND LOCAL CODES AND REGULATIONS, AND BE SURE THAT THE SPEEDAIRE PRODUCT, INSTALLATION, AND USE WILL COMPLY WITH THEM.

**CONSUMERS ONLY.** CERTAIN ASPECTS OF DISCLAIMERS ARE NOT APPLICABLE TO CONSUMER PRODUCTS SOLD TO CONSUMERS; (A) SOME JURISDICTIONS DO NOT ALLOW THE EXCLUSION OR LIMITATION OF INCIDENTAL OR CONSEQUENTIAL DAMAGES, SO THE ABOVE LIMITATION OR EXCLUSION MAY NOT APPLY TO YOU; (B) ALSO, SOME JURISDICTIONS DO NOT ALLOW A LIMITATION ON HOW LONG AN IMPLIED WARRANTY LASTS, SO THE ABOVE LIMITATION MAY NOT APPLY TO YOU; AND (C) BY LAW, DURING THE PERIOD OF THIS LIMITED WARRANTY, ANY IMPLIED WARRANTIES OF MERCHANTABILITY OR FITNESS FOR A PARTICULAR PURPOSE APPLICABLE TO CONSUMER PRODUCTS PURCHASED BY CONSUMERS, MAY NOT BE EXCLUDED OR OTHERWISE DISCLAIMED.

THIS LIMITED WARRANTY ONLY APPLIES TO SPEEDAIRE PRODUCTS PURCHASED BY UNITED STATES PURCHASERS FOR DELIVERY IN THE UNITED STATES.

### **WARRANTY SERVICE**

To obtain warranty service if you purchased the covered product directly from W.W. Grainger, Inc. ("Grainger"), (i) write or call or visit the local Grainger branch from which the product was purchased or another Grainger branch near you (see [www.grainger.com](http://www.grainger.com) for a listing of Grainger branches); or (ii) contact Grainger by going to [www.grainger.com](http://www.grainger.com) and clicking on the "Contact Us" link at the top of the page, then clicking on the "Email us" link; or (iii) call Customer Care (toll free) at 1-888-361-8649. To obtain warranty service if you purchased the covered product from another distributor or retailer, (i) go to [www.grainger.com](http://www.grainger.com) for Warranty Service; (ii) write or call or visit a Grainger branch near you; or (iii) call Customer Care (toll free) at 1-888-361-8649. In any case, you will need to provide, to the extent available, the purchase date, the original invoice number, the stock number, a description of the defect and anything else specified in this Speedaire One-Year Limited Warranty. You may be required to send the product in for inspection at your cost. You can follow up on the progress of inspections and corrections in the same ways. Title and risk of loss pass to buyer on delivery to common carrier, so if product was damaged in transit to you, file claim with carrier, not the retailer, Grainger or Dayton. For warranty information for purchasers and/or delivery outside the United States, please contact:

**Dayton Electric Mfg. Co.,  
100 Grainger Parkway, Lake Forest, IL 60045 U.S.A.  
or call +1-888-361-8649**

®

**SPEEDAIR**



## Lubricador de Micro Niebla

Modelos: 4ZL58A, 4ZL60A, 4ZL62A



**POR FAVOR LEA Y GUARDE ESTAS INSTRUCCIONES. LEA ATENTAMENTE ANTES DE INTENTAR ARMAR, INSTALAR, OPERAR O MANTENER EL PRODUCTO DESCRITO.**

**PROTEGERSE Y OTROS OBSERVANDO TODA LA INFORMACIÓN DE SEGURIDAD. NO CUMPLIR CON LAS INSTRUCCIONES PUEDE RESULTAR EN LESIONES PERSONALES Y / O DAÑOS A LA PROPIEDAD! GUARDE LAS INSTRUCCIONES PARA FUTURA REFERENCIA.**

**CONSULTE EN LA CONTRAPORTADA LA INFORMACIÓN SOBRE LA GARANTÍA DE DAYTON Y OTRA INFORMACIÓN IMPORTANTE.**

**Modelo #:** \_\_\_\_\_

**Serie #:** \_\_\_\_\_

**Fecha de compra:** \_\_\_\_\_

*Impreso en China  
NSC100 / Versión 2/ 12/ 23/2019  
© 2019 W.W. Grainger, Inc.  
Todos los derechos reservados*



## **ANTES DE QUE EMPIECES**

### **Desembalaje**

- Después de desempacar la unidad, inspeccione cuidadosamente por cualquier daño que pueda haber ocurrido durante el transporte. Compruebe si hay piezas sueltas, faltantes o dañados. Reclamación por daños de envío debe ser presentada con el portador.



- **Vea las instrucciones generales de seguridad en la página 2.**

EMPEZANDO

SEGURIDAD /  
ESPECIFICACIONES

INSTRUCCIONES DE  
INSTALACIÓN

INSTRUCCIONES DE  
OPERACIÓN

MANTENIMIENTO

PIEZAS DE  
REPARACIÓN



**INFORMACIÓN GENERAL DE SEGURIDAD**

Speedaire lubricadores línea de aire de micro niebla están diseñados para ofrecer una neblina de aceite atomizado al aire comprimido que acciona una herramienta accionado por aire y / o motor de aire, etc, y lubrica la parte(s) móvil interior de la herramienta y / o el motor, que se extiende la vida de la herramienta / motor. Estos lubricadores están equipadas con una cúpula de vista de alimentación, un ajuste de la tasa de goteo verde, y un sensor de flujo. La cúpula de vista de alimentación proporciona una indicación visual de la velocidad de la gota de aceite. El ajuste de la tasa de goteo verde regula tasa gota de aceite. El sensor de flujo compensa los cambios de las demandas de flujo de aire.

El aparato sólo se puede operar en la instalación permanente en los sistemas de aire a presión. El uso inapropiado o modificaciones hechas al dispositivo o el uso de sus componentes que no son probados y aprobados por el fabricante puede resultar en daños imprevistos.

Lubricadores de línea de aire se utilizan en una variedad de sistemas de aire que puede ir con compresor de aire, filtros, reguladores, mangueras, etc. Lea y comprenda todas las instrucciones de seguridad, instrucciones de instalación y las instrucciones de uso antes de utilizar esta unidad. Precauciones básicas de seguridad siempre se deben seguir para reducir el riesgo de lesiones personales y / o daños materiales.

**INSTRUCCIONES GENERALES DE SEGURIDAD**

1. Lea todas las instrucciones de seguridad. El no hacerlo puede causar daño a usted ya los demás.
2. Mantenga a los niños y personas no autorizadas lejos del dispositivo. Asegúrese de que los niños no son capaces de jugar con el dispositivo.
3. No sobrecargue el aparato. No utilice el dispositivo para fines para los que no está destinado.
4. Asegúrese siempre de que la línea aérea está en buenas condiciones.
5. Manguera y conexiones deben ser inspeccionados para evitar cualquier fuga antes de su uso.
6. Aire residual en el sistema necesita para ser lanzado antes del servicio o reparación.
7. Asegúrese de que todas las conexiones y líneas de suministro están clasificados para los flujos de presión y de aire requerido.

**ESPECIFICACIONES**

Modelo	Max. presión entrada	Max. temp.	Max. flujo	Puertos principales	Tazón	Wt. (lbs)
4ZL58A	250 psi	175°F	160 cfm	3/4"	Metal	3.73
4ZL60A	250 psi	175°F	275 cfm	1"	Metal	3.56
4ZL62A	250 psi	175°F	275 cfm	1-1/2"	Metal	3.67

- El aire suministrado debe estar suficientemente seco para evitar la formación de hielo por debajo de +35°F.
- En presión de entrada de 150 psi, sistema de presión de 90 psi, y una caída de presión de 15 psi.

**DIMENSIONES (pulgada)**

Grainger artículos No.	Longitud (In./mm)	Anchura (In./mm)	Altura (In./mm)
4ZL58A	4.50/114	4.32/110	12.43/317
4ZL60A	4.50/114	4.32/110	12.43/317
4ZL62A	4.50/114	4.32/110	12.43/317

**INSTRUCCIONES DE INSTALACIÓN**

1. Antes de la instalación, compruebe que las conexiones utilizadas se ajustan a la presión máxima del lubricador.
2. Apague la presión de aire del sistema de aire. Instale el lubricador verticalmente con el cuenco en la línea de aire. Asegúrese de que el lubricador se instala con el flujo de aire de entrada / salida en la dirección apropiada de la flecha en la unidad. El lubricador debe ser instalado aguas abajo del filtro (s), el regulador (s), y la válvula (s) de ciclo en la línea de aire, y debe estar tan cerca como sea posible del dispositivo que se está lubricada. Todavía es esencial que el lubricador debe ser instalado a la misma altura o más alto que el dispositivo que está siendo reparado.
3. Conecte las tuberías a los puertos de entrada y salida utilizando cinta selladora de roscas de tubería sólo en las roscas macho. Al atornillar tubos juntos, evitar la entrada de virutas y sellador en la parte interior de la unidad. Contaminantes de la unidad pueden causar que falle.
4. Asegúrese de que todas las conexiones del lubricador son firmes y seguras.
5. Montar el recipiente girando completamente hacia la derecha en el cuerpo antes de presurizar.
6. El lubricador debe estar instalado de tal manera que no se produce fuerza mecánica o tensión.

**INSTRUCCIONES DE OPERACIÓN (Ver Figura 2)**

1. Asegúrese de que la presión a la entrada de aire del lubricador de la línea de aire no exceda la presión máxima indicada en las instrucciones.
2. Retire el tapón de llenado, añadir el aceite y volver a instalar el tapón de llenado, que puede realizarse sin necesidad de apagar la presión del aire en el lubricador. Utilice buena calidad, la luz, el tipo de nebulización de aceite para herramientas / motor accionado por aire.

- Llene el aceite hasta la línea de llenado máximo en el recipiente transparente o nivel de aceite debe estar siempre visible en la lente en un recipiente de metal. NO LLENE DEMASIADO.  
**Nota:** El tapón de llenado de aceite sellos fácilmente. Apriete apretado con los dedos solamente.
- Encienda el sistema de línea de aire para obtener la presión requerida para el lubricador.
- Ajuste la velocidad de goteo lubricador sólo cuando hay una velocidad constante de flujo de aire a través del lubricador. Controle la frecuencia de goteo a través de la cúpula de alimentación a la vista.
- Determine la tasa media de flujo de aire a través del lubricador. Gire el rotor ranurado en la cúpula de alimentación de la vista para obtener las gotas recomendadas por minuto. Ver Drip Tabla de Tarifas. Girar el rotor hacia la izquierda para aumentar el ritmo de goteo o en sentido horario para disminuir el ritmo de goteo.  
**Nota:** El recorrido total del rotor es de 320 grados
- Supervise el dispositivo que está siendo lubricado por unos días siguientes al ajuste de la tasa de goteo arriba y ver lo bien que funciona, a continuación, determinar el dispositivo si la velocidad de goteo en la lubricación se debe ajustar para el nivel más alto o más bajo.
- Nunca aplique aire comprimido lubricado para ejecutar una pistola de pulverización, ya que la pintura mezclada con aceite dañe el acabado de la pieza de trabajo se está pulverizando.

Tabla de tasa de goteo

3/4" puertos				1" y 1-1/2" puertos			
Flujo (CFM)	Gotas por minuto	Flujo (CFM)	Gotas por minuto	Flujo (CFM)	Gotas por minuto	Flujo (CFM)	Gotas por minuto
10	8	100	18	10	10	150	47
20	10	120	20	25	14	175	54
40	12	140	22	50	21	200	60
60	14	160	24	75	28	225	66
80	16			100	35	250	73
				125	41	275	80

## DIAGRAMAS

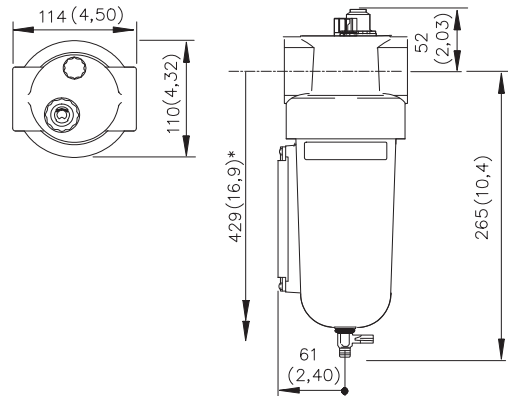


figura 1

## MANTENIMIENTO

### Pasos de mantenimiento

- Desmontaje (Ver figura 2)**
  - La lubricación se puede desmontar sin necesidad de retirar de la línea aérea.
  - Apagar OFF presión de entrada. Reducir la presión en las líneas de entrada y salida a cero.
  - Retirar tazón.
  - Desmontar en general de acuerdo con las partes ilustradas en la Figura 2. No quitar el desagüe a menos que el reemplazo es necesario. Remover y reemplazar sólo si el mal funcionamiento de drenaje. NO retire el tubo de sifón menos que sea necesario reemplazarla.
- Limpieza (Ver figura 2)**
  - limpie todas las piezas con agua tibia y jabón.
  - Enjuague y seque las partes. Sople pasajes internos en el cuerpo con aire limpio y seco, comprimido.
  - Inspeccione las partes. Reemplace las que se encuentran para ser dañado.
- Montaje (Ver figura 2)**
  - Lubricar las o-anillos, la parte del cuerpo de drenaje manual que contacta con el depósito, y el agujero en el cuerpo de drenaje manual que acomoda el vástago de válvula de drenaje con grasa de o-anillos.
  - Ensamble el filtro como se muestra en la Figura 2.
  - Ensamble kit de mirilla (Ref. No.5) a los bolos. Aplicar una fuerza de cierre de 2 a 4 libras a los soportes de vidrio suspiro superior e inferior para tirar de los soportes juntos, a continuación, apriete el tornillo (A) según la tabla de par.
  - Apriete estas piezas que se indican en la tabla de par.
  - Poner el recipiente en el cuerpo hasta la punta de flecha está en línea con o hacia la derecha de la punta de flecha en el cuerpo.

Tabla de torque

Piezas Ref. No.	Pulgada libra (N-m)
Tornillo	8 a 10 (0.9 a 1.13)
Generador de niebla	20 a 25 (2.3 a 2.8)
Domo	20 a 25 (2.3 a 2.8)

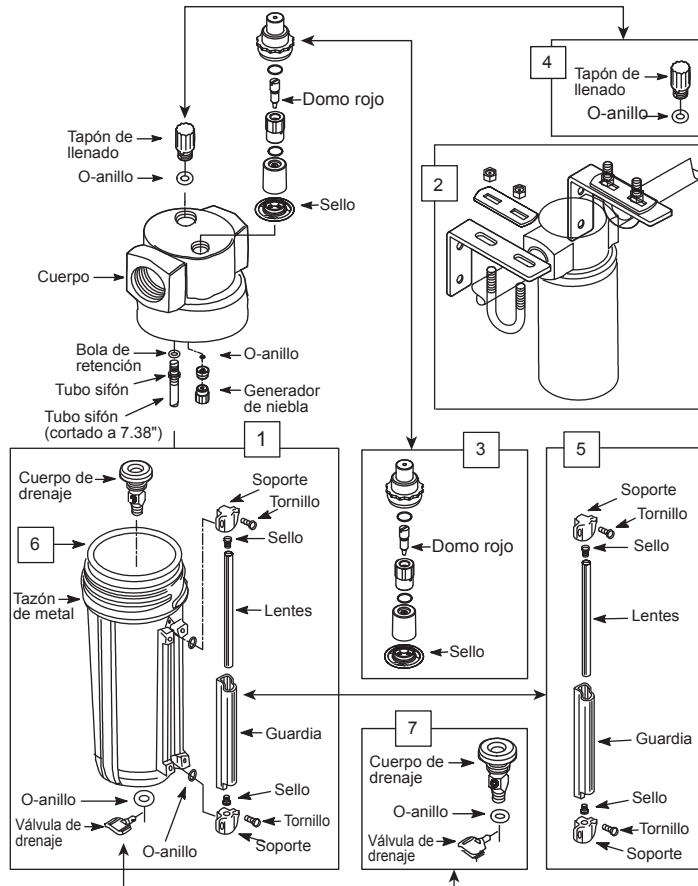
**ILUSTRACIÓN DE REPARACIÓN DE PIEZAS PARA 4ZL58A,  
4ZL60A, 4ZL62A**

figura 2

**Para reparación de piezas, llamar al  
1-800-323-0620  
24 horas al día - 365 días al año**

Por favor proporcionar información siguiente:

- Número de modelo
- Número de serie (si los hay)
- Descripción y número de pieza como se muestra en la lista de piezas

**ILUSTRACIÓN DE REPARACIÓN DE PIEZAS PARA 4ZL58A,  
4ZL60A, 4ZL62A**

No. de Ref.	Descripción de piezas	Piezas No.	Cant.
1	Cuenco metálico y O-anillo	114X39	1
2	Soporte de pared (3/4" y 1" unidades portados)	4ZK72A	1
3	Accesorio de cúpula ajustable de aceite	114X41	1
4	Enchufe completo de aceite y O-anillo	114X44	1
5	Kit de mirilla	114X63	1
6	O-anillo	114X71	1
7	Kit de drenaje manual	114X72	1

## **SPEEDAIRE GARANTÍA LIMITADA DE UN AÑO**

**SPEEDAIRE GARANTÍA LIMITADA DE UN AÑO.** Todos los modelos de productos Speedaire® cubiertos en este manual están garantizados por Dayton Electric Mfg. Co. ("Dayton") para el usuario original contra defectos de fabricación o materiales bajo un uso normal durante un año después de la fecha de compra. Si el Producto Speedaire es parte de un conjunto, sólo la parte que presente defectos está sujeto a esta garantía. Cualquier producto o pieza que se determina que es un defecto de fábrica o mano de obra y regresaron a un centro de servicio autorizado, como Dayton o de Dayton designado designa, a portes pagados, que será, como el remedio exclusivo, reparado o sustituido por un producto nuevo o reacondicionado o parte de la misma utilidad o un reembolso completo dado, a elección del diseñador de Dayton o de Dayton, sin costo alguno. Para los procedimientos de reclamación de garantía limitada, consulte "Servicio de garantía" más abajo. Esta garantía es nula si existe evidencia de mal uso, mala reparación, errores de instalación, abuso o alteración. Esta garantía no cubre el desgaste normal de los productos Speedaire o partes de ellos, o productos o partes de ellos que puedan consumirse en uso normal. Esta garantía limitada le otorga compradores derechos legales específicos, y usted también puede tener otros derechos que varían de una jurisdicción a otra.

**EXCLUSIONES Y LIMITACIONES DE RESPONSABILIDAD EN RELACIÓN CON TODOS LOS CLIENTES PARA TODOS LOS PRODUCTOS LIMITACIÓN DE RESPONSABILIDAD.** A LA MEDIDA PERMITIDA POR LA LEY APLICABLE, LA RESPONSABILIDAD DE DAYTON POR DAÑOS INDIRECTOS Y EXPRESAMENTE RENUNCIA. LA RESPONSABILIDAD DE DAYTON EN TODOS LOS EVENTOS SE LIMITA A Y NO SUPERARÁ EL PRECIO DE COMPRA.

**RENUNCIA DE GARANTÍA.** UNA ESFUERZO DILIGENTE SE HA HECHO EN LA PROVISIÓN DE INFORMACIÓN DEL PRODUCTO Y ILUSTRAR LOS PRODUCTOS SPEEDAIRE EN ESTA LITERATURA EXACTAMENTE; SIN EMBARGO, ESTA INFORMACIÓN E ILUSTRACIONES SON PARA EL ÚNICO PROPÓSITO DE IDENTIFICACIÓN, Y NO EXPRESAN NI IMPLICAN GARANTÍA QUE LOS PRODUCTOS SPEEDAIRE SON COMERCIAL, O FIT PARA UN PROPÓSITO PARTICULAR, O QUE LOS PRODUCTOS SPEEDAIRE SE AJUSTAN NECESARIAMENTE A LAS ILUSTRACIONES O DESCRIPCIONES. EXCEPCIONES PREVISTAS A CONTINUACIÓN, NINGUNA GARANTÍA O AFIRMACIÓN DE HECHO, EXPRESA O IMPLÍCITA, QUE NO SEA ESTIPULADA NÁS "GARANTÍA LIMITADA" ANTERIOR SE HACE O AUTORIZADA POR DAYTON.

**CONVENIENCIA DEL PRODUCTO.** MUCHAS JURISDICCIONES TIENEN CÓDIGOS Y REGLAMENTOS QUE RIGEN LAS VENTAS, CONSTRUCCIÓN, INSTALACIÓN Y / O USO DE PRODUCTOS PARA CIERTOS PROPÓSITOS, QUE PUEDEN VARIAR DE AQUELLOS EN LAS ZONAS VECINAS. MIENTRAS SE INTENTA GARANTIZAR QUE LOS PRODUCTOS SPEEDAIRE CUMPLAN CON DICHO CÓDIGOS, DAYTON NO PUEDE GARANTIZAR EL CUMPLIMIENTO, Y NO PUEDE SER RESPONSABLE DE CÓMO EL PRODUCTO SE INSTALACIÓN O DE UTILIZACIÓN. ANTES DE LA COMPRA Y USO DE UN PRODUCTO, COMPROBE LA SEGURIDAD / ESPECIFICACIONES Y TODOS LOS CÓDIGOS Y REGLAMENTOS APLICABLES NACIONALES Y LOCALES, Y ESTAR SEGURO QUE EL SPEEDAIRE PRODUCTO, INSTALACIÓN, USO Y CUMPLIREMOS CON ELLOS.

**LOS CONSUMIDORES SÓLO.** CIERTOS ASPECTOS DE RENUNCIAS NO SON APLICABLES A LOS PRODUCTOS DE CONSUMO VENDIDOS A LOS CONSUMIDORES; (A) ALGUNAS JURISDICCIONES NO PERMITEN LA EXCLUSIÓN O LIMITACIÓN DE DAÑOS INCIDENTALES O DERIVADOS, POR LO QUE LA EXCLUSIÓN O LIMITACIÓN ANTERIOR NO SE APLIQUE EN SU CASO; (B) TAMBIÉN, ALGUNAS JURISDICCIONES NO PERMITEN UNA LIMITACIÓN SOBRE LA DURACIÓN DE UNA GARANTÍA IMPLÍCITA, POR LO QUE LA ANTERIOR PODRÍA NO SER APLICABLE AL USUARIO; Y (C) LA LEY, EN EL PERÍODO DE ESTA GARANTÍA LIMITADA, TODAS LAS GARANTÍAS IMPLÍCITAS DE COMERCIALIZACIÓN O IDONEIDAD PARA UN PROPÓSITO PARTICULAR APLICABLE A LOS PRODUCTOS DE CONSUMO COMPRADOS POR LOS CONSUMIDORES, NO PUEDE SER EXCLUIDOS O DE OTRA MANERA NO VALIDAS.

ESTA GARANTÍA LIMITADA SÓLO SE REFIERE A: SPEEDAIRE PRODUCTOS COMPRADOS POR LOS COMPRADORES DE ESTADOS UNIDOS PARA ENTREGA EN LOS ESTADOS UNIDOS.

### **SERVICIO DE GARANTÍA**

Para obtener servicio de garantía en caso de adquirir el producto cubierto directamente de WW Grainger, Inc. ("Grainger"), (i) escribir o llamar o visitar la sucursal de Grainger local desde el que se adquirió el producto o otra rama Grainger cerca de usted (ver [www.grainger.com](http://www.grainger.com) para obtener una lista de las sucursales Grainger); o (ii) en contacto Grainger por ir a [www.grainger.com](http://www.grainger.com) y haciendo clic en el enlace "Contáctenos" en la parte superior de la página, a continuación, hacer clic en el enlace "Envíenos un correo electrónico"; o (iii) Atención de llamadas al cliente (llamada gratuita) al 1-888-361-8649. Para obtener servicio de garantía en caso de adquirir el producto cubierto de otro distribuidor o minorista, (i) voy a [www.grainger.com](http://www.grainger.com) al Servicio de Garantía; (ii) escribir o llamar o visitar una sucursal de Grainger cerca de usted; o (iii) Atención de llamadas al cliente (llamada gratuita) al 1-888-361-8649. En cualquier caso, usted tendrá que proporcionar, en la medida disponible, la fecha de compra, el número original de la factura, el número de valores, una descripción del defecto y cualquier otra cosa especifican en esta Garantía Speedaire limitada de un año. Es posible que deba enviar el producto para su inspección en su costo. Puede dar seguimiento a los avances de las inspecciones y correcciones en las mismas formas. Título y riesgo de pérdida pasan al comprador en el envío a transporte público, por lo que si el producto se daña en tránsito hacia usted, reclamo a la compañía, no el minorista, Grainger o Dayton. Para información sobre la garantía para los compradores y / o la entrega fuera de los Estados Unidos, por favor póngase en contacto con:

**Dayton Electric Mfg. Co.,**

**100 Grainger Parkway, Lake Forest, IL 60045 EE.UU.**

**o llame al +1-888-361-8649**

®

**SPEEDAIR®**



## Graisseur de Micromist

Modèles: 4ZL58A, 4ZL60A, 4ZL62A



**S'IL VOUS PLAÎT LISEZ ET  
CONSERVEZ LES INSTRUCTIONS.  
LISEZ SOIGNEUSEMENT AVANT  
D'ESSAYER DE ASSEMBLER,  
INSTALLER, OPERER OU ENTRETENIR  
CE PRODUIT DECRIT.**

**PROTEGEZ VOUS-MEME ET LES  
AUTRES EN OBSERVANT TOUTES  
INFORMATIONS SUR LA SÉCURITÉ.  
NON-RESPECT DES INSTRUCTIONS  
POURRAIT CAUSER DES BLESSURES  
ET / OU DES DOMMAGES! CONSERVER  
LES INSTRUCTIONS POUR LA  
RÉFÉRENCE FUTURE.**

**S'IL VOUS PLAÎT REFÉREZ A LA COU  
VERTURE POUR LES INFORMATIONS  
CONCERNANT LA GARANTIE  
DE DAYTON ET LES AUTRES  
RENSEIGNEMENTS IMPORTANTS.**

**Modèle#:** \_\_\_\_\_

**Série#:** \_\_\_\_\_

**Date de l'achat:** \_\_\_\_\_

*Imprimé en Chine*  
NSC100 / Version 2/ 12/ 23/2019  
© 2019 W.W. Grainger, Inc.  
Tous les Droits Réservés



## **AVANT DE COMMENCER**

### **Déballage**

- Après le déballage de l'appareil, inspectez soigneusement pour tout le dommage qui pourrait avoir eu lieu durant le transport. Vérifiez des pièces lâches, manquantes ou endommagées. La réclamation de dommage du transport doit être déposée avec le transporteur.

COMMENCER

SÉCURITÉ /  
CARACTÉRISTIQUES

ASSEMBLAGE /  
INSTALLATION

INSTRUCTION  
D'OPERATION

ENTRETIEN

PART DE RÉPARATION



- Voir les instructions de sécurité générale à la page 2

**INFORMATION DE SECURITE GENERALE**

Les graisseurs de conduite d'air de MICROMIST de Speedaire sont conçus pour offrir un brouillard d'huile atomisée à l'air comprimé qui entraîne un outil à air comprimé et / ou moteur à air, etc, et lubrifie la partie (s) de déplacement antérieur de l'outil et / ou du moteur, prolongeant la vie de l'outil / du moteur. Ces graisseurs sont équipées d'un dôme de vue d'alimentation, un ajustement du taux d'égouttement vert, et un capteur de débit. Le dôme de vue d'alimentation fournit une indication visuelle du taux de la goutte d'huile. L'ajustement vert de taux d'égouttement régule la fréquence de la goutte d'huile. Le capteur de débit compense les variations de la demande d'écoulement d'air.

Le dispositif peut être utilisé seulement dans l'installation permanente dans les systèmes d'air comprimé. Une mauvaise utilisation ou des modifications au dispositif ou l'utilisation de ses composants qui ne sont pas testés et approuvés par le fabricant peuvent entraîner des dommages imprévus.

Les graisseurs de conduite d'air sont utilisés dans une variété de systèmes d'air qui peut aller avec le compresseur d'air, les filtres, les régulateurs, les tuyaux, etc. Lisez et comprenez toutes les instructions de sécurité, les instructions d'installation et les instructions d'opération avant d'utiliser cet appareil. Les précautions de sécurité de base doivent toujours être suivies pour réduire le risque de blessures et / ou de dommages matériels.

**INSTRUCTION DE SECURITE GENERALE**

1. Lisez toutes les instructions de sécurité. L'échec de la faire peut causer des dommages à vous et aux autres.
2. Gardez les enfants et les personnes non autorisées loin du dispositif. Assurez-vous que les enfants ne peuvent pas jouer avec ce dispositif.
3. Ne surchargez pas le dispositif. N'utilisez pas le dispositif à des fins pour lesquelles il ne vise pas.
4. Assurez-vous toujours que la conduite d'air est en bon état.
5. Le tuyau et le raccordement devraient être inspectés pour éviter toute la fuite avant d'utiliser.
6. L'air résiduel dans le système doit être libéré avant que le service ou la réparation.
7. Assurez-vous que toutes les connexions et les lignes d'alimentation sont conçus pour les flux d'air et de pression nécessaire.

**CARACTERISTIQUES**

Modèle	Pression d'entrée max	Temp. max	Flux max	Principaux ports	bol	poids (lbs)
4ZL58A	250 psi	175°F	160 cfm	3/4"	Métal	3.73
4ZL60A	250 psi	175°F	275 cfm	1"	Métal	3.56
4ZL62A	250 psi	175°F	275 cfm	1-1/2"	Métal	3.67

- L'alimentation d'air doit être suffisamment sec pour éviter la formation de glace en dessous de +35°F.
- A une pression d'entrée de 150 psi, la pression d'installation de 90 psi, et une chute de pression de 15 psi.

**DIMENSIONS (pouce)**

N° de l'article de graigner	Longueur (pouce./mm)	Largeur (pouce./mm)	Hauteur (pouce /mm)
4ZL58A	4.50/114	4.32/110	12.43/317
4ZL60A	4.50/114	4.32/110	12.43/317
4ZL62A	4.50/114	4.32/110	12.43/317

**INSTRUCTIONS D'INSTALLATION**

1. Avant d'installer, vérifiez si les connexions utilisées correspondent à la pression maximale du filtre / du régulateur.
2. Coupez la pression d'air du système d'air. Installez l'graisseur verticalement avec le bol dans la conduite d'air. Assurez-vous que l'graisseur est installé avec le flux d'air d'entrée / de sortie dans la bonne direction de la flèche sur l'appareil. Le graisseur doit être installé en aval du filtre(s), du régulateur(s) et de la soupape (s) de vélo dans la conduite d'air, et devrait être aussi proche que possible de l'appareil étant lubrifié (habituellement pas plus de 15 pieds de l'appareil). Il est toujours essentiel que la lubrification doit être installé à la même hauteur ou supérieure à l'appareil en réparation.
3. Raccordez les tuyaux aux ports d'entrée et de sortie utilisant le ruban d'étanchéité pour le tuyau sur les filets mâles seulement. Lors du vissage des tuyaux ensemble, empêchez la pénétration des copeaux et du produit d'étanchéité à l'intérieur de l'appareil. Les contaminations dans l'appareil peuvent faire échouer.
4. Assurez-vous que toutes les connexions au filtre / au régulateur sont bien serrées.
5. Tournez le bol dans le corps jusqu'à ce que la pointe de flèche est en ligne avec ou à droite de la flèche sur le corps avant de mettre sous pression.
6. Le graisseur doit être installé de telle sorte qu'aucune force ou tension mécanique se produit.

**INSTRUCTIONS D'OPERATION (Voir la Figure 2)**

1. Assurez-vous que la pression à l'entrée d'air du dispositif de lubrification de la conduite d'air ne dépasse pas la pression maximale spécifiée dans les instructions.
2. Retirez le bouchon de remplissage, ajoutez de l'huile et réinstallez le bouchon de remplissage, qui peut être fait sans couper la pression d'air du graisseur. Utilisez le type de bonne qualité, léger, de brumisation de l'huile pour l'outil / le moteur air-alimenté.

3. Remplissez le pétrole à la ligne de remplissage maximum sur le bol transparent, ou le niveau d'huile doit toujours être visible dans la lentille sur le bol en métal. **NE REMPLISSEZ PAS TROP.**

**Note:** Le bouchon de remplissage d'huile scelle facilement. Serrez à la main seulement.

4. Allumez le système de conduite d'air pour obtenir la pression nécessaire pour le graisseur.
5. Ajustez le taux d'égouttement de lubrification seulement quand il ya un taux constant de flux d'air à travers le graisseur. Surveillez le taux d'égouttage à travers le dôme de vue-d'alimentation.
6. Déterminez le taux moyen d'écoulement d'air à travers le graisseur. Tournez le rotor fendu dans le dôme de vue-d'alimentation pour obtenir les gouttes recommandées par minute. Voir le tableau de taux d'égouttage. Tournez le rotateur dans le sens antihoraire pour augmenter le taux d'égouttage ou dans le sens horaire pour diminuer le taux d'égouttage.
- Note:** Le parcours d'ensemble du rotateur est de 320 degrés.
7. Surveillez le dispositif étant lubrifié pendant quelques jours après l'ajustement du taux d'égouttement ci-dessus et voyez comment fonctionne le dispositif, et puis déterminez si le taux d'égouttage à la lubrification doit être ajustée pour le niveau supérieur ou inférieur.
8. N'appliquez JAMAIS de l'air comprimé lubrifié pour fonctionner un pistolet, depuis la peinture mélangée avec de l'huile va gâcher la finition de la pièce de travail à pulvériser.

**Tableau de taux de goutte**

3/4" ports				1" et 1-1/2" ports			
Flux (CFM)	Gouttes par Minute	Flux (CFM)	Gouttes par Minute	Flux (CFM)	Gouttes par Minute	Flux (CFM)	Gouttes par Minute
10	8	100	18	10	10	150	47
20	10	120	20	25	14	175	54
40	12	140	22	50	21	200	60
60	14	160	24	75	28	225	66
80	16			100	35	250	73
				125	41	275	80

## DIAGRAMMES

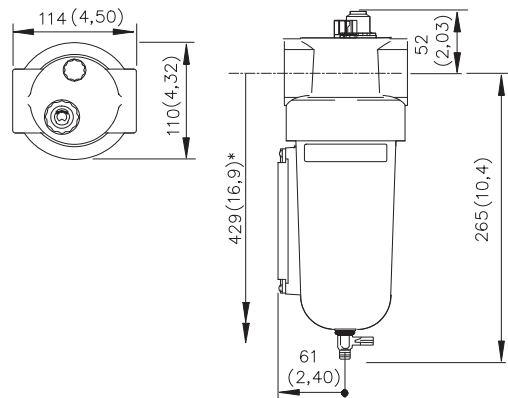


figure 1

## ENTRETIEN

### Étapes d'entretien

- Démontage (voir la figure 2)**
  - Le graisseur peut être démonté sans le retrait de la ligne d'air.
  - Coupez la pression d'entrée. Réduisez la pression dans les lignes d'entrée et de sortie à zéro.
  - Dévissez le bol.
  - Démontez conformément généralement aux pièces illustrées sur la Figure 2. Ne retirez pas le drain à moins que leur remplacement soit nécessaire. Retirez et remplacez seulement lorsque le drain mal fonctionne. Ne retirez pas le tube de siphon sauf si le remplacement est nécessaire.
- Nettoyage ( voir la figure 2)**
  - Nettoyez toutes les parts avec de l'eau chaude et du savon.
  - Rincez et séchez les parts. Soufflez les passages internes dans le corps avec l'air comprimé propre, sec.
  - Inspecter les pièces. Remplacez ceux trouvés à être endommagé.
- Assemblage (voir la figure 2)**
  - Graisser les joints toriques, la portion du corps de vidange manuelle qui contacte le bol, le trou dans le corps de vidange manuelle qui accueille la tige de soupape vindage avec la graisse des joints toriques.
  - Assemblez le graisseur comme indiqué sur la Figure 2.
  - Assemblez kit de glasse de vision (n° de réf.5) au bol. Appliquer une force de serrage 2 à 4 livres aux supports de verre de visée supérieure et inférieure pour tirer les supports ensemble, et puis, serrez la vis (A) par table de couple.
  - Serrez ces parties énumérées dans le tableau de couple.
  - Tournez le bol dans le corps jusqu'à ce que la pointe de flèche est en ligne avec ou à droite de la flèche sur le corps.

**Tableau de couple**

N ° Réf des parts	Pouce livres (N-m)
Vis	8 à 10 (0.9 à 1.13)
Générateur de brouillard	20 à 25 (2.3 à 2.8)
Dôme	20 à 25 (2.3 à 2.8)



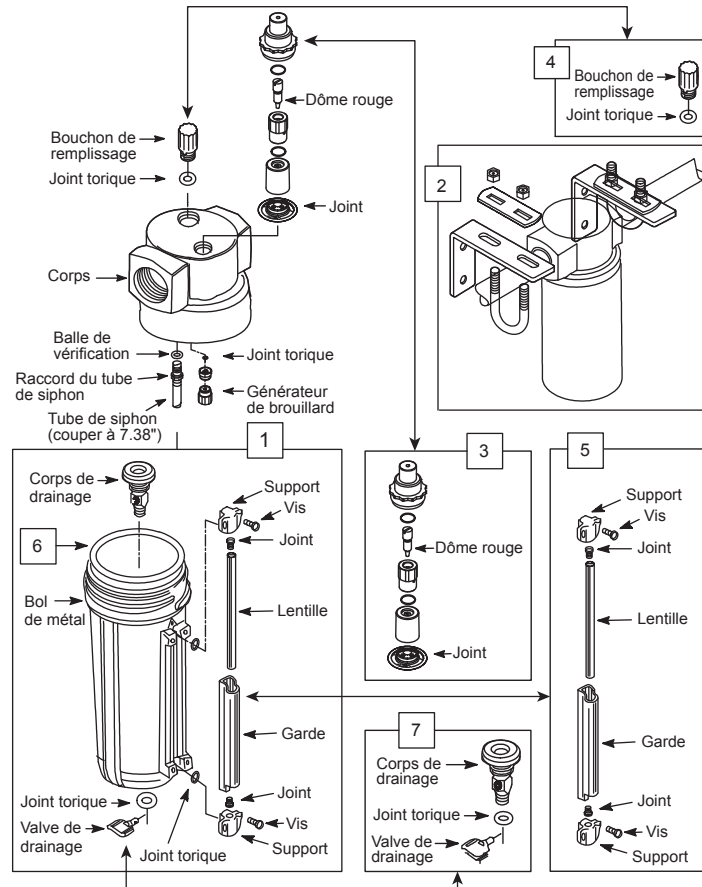
**ILLUSTRATION DES PARTS DE REPARATION POUR  
4ZL58A, 4ZL60A, 4ZL62A**

figure 2

**Pour les Parts de Réparation, téléphonez  
au 1-800-323-0620**  
**24 heures un jour – 365 jours une année**

Fournissez les informations suivantes, s'il vous plaît:

- Numéro du modèle
- Numéro de série (s'il y a)
- Description et numéro de la part comme indiqué dans la liste des parts

**ILLUSTRATION DES PARTS DE REPARATION POUR  
4ZL58A, 4ZL60A, 4ZL62A**

N° de réf.	Description des Parts	N° de La part	Qté
1	Joint torique et bol en métal	114X39	1
2	Support mural (3/4" & 1" unités portés)	4ZK72A	1
3	Assemblé de dôme ajustable d'huile	114X41	1
4	Prise de l'huile complète et joint torique	114X44	1
5	Kit de glasse de vision	114X63	1
6	Joint torique	114X71	1
7	Kit de drainage manuel	114X72	1

## **GARANTIE LIMITEE D'UNE ANNEE DE SPEEDAIRE**

**GARANTIE LIMITEE D'UNE ANNEE DE SPEEDAIRE.** A- tous les modèles de produits de Speedaire Rcouverts dans ce manuel par cette garantie limitée sont garantis par Dayton Electric Mfg.Co. ("Dayton") à l'utilisateur d'origine contre les défauts dans la maîtrise ou les matériaux sous les utilisations normales d'utilisation pour une année après la date de l'achat. Si le produit fait partie d'un appareil, seule la partie qui est défectueuse est soumise à cette garantie. Aucun produit ou aucune part qui est déterminée à être défectueux dans le matériel ou dans la maîtrise et retourné à un centre de service agréé, comme Dayton ou la personne désignée par Dayton désigne, coûts de transport prépayés, sera, comme remède exclusive, réparé ou remplacé avec un produit ou partie neuf ou reconditionné de l'utilité égale ou un remboursement complet donné, au choix de Dayton ou de la personne désignée par Dayton, sans frais. Pour les procédures de réclamation de garantie limitée, voyez "service de garantie" ci-dessous. Cette garantie est nulle si il y a des preuves d'une mauvaise utilisation, une mauvaise réparation, mauvaise-installation, un abus ou l'altération. Cette garantie ne couvre pas l'usure normale des Produits de Speedaire ou des portions de ceux, ou des produits ou des portions de ceux qui sont consommables en utilisation normale. Cette garantie limitée donne aux acheteurs des droits légaux spécifiques, et et vous pouvez également avoir d'autres droits qui varient d'une juridiction à l'autre.

**EXCLUSIONS DE GARANTIE ET LIMITATIONS DE RESPONSABILITE RELATIVES A TOUS LES CLIENTS POUR TOUTE LA LIMITATION DES PRODUITS DE LA RESPONSABILITE.** DANS LA MESURE PERMISE PAR LA LOI APPLICABLE, LA RESPONSABILITE DE GRAINGER POUR LES DOMMAGES INDIRECTS ET INCITENDAUX EST EXPRESSEMENT DECLINEE. LA RESPONSABILITE DE GRAINGER A TOUS LES EVENEMENTS EST LIMITEE ET NE DOIT PAS DEPASSER LE PRIX D'ACHAT PAYE.

**EXONERATION DE GARANTIE.** UN EFFORT A ETE FAIT PREUVE DE DILIGENCE POUR FOURNIR DES INFORMATIONS DE PRODUITS ET ILLUSTRER LES PRODUITS DE CETTE LITTERATURE PRECISION; CEPENDANT, CES INFORMATIONS ET L'ILLUSTRATION SONT DANS LE SEUL BUT D'IDENTIFICATION, ET N'EXPRIMEZ PAS NI IMPLIQUEZ UNE GARANTIE QUE LES PRODUITS SERONT FORCEMENT CONFORME AUX ILLUSTRATIONS OU A LA DESCRIPTION SAUF COMME PREVU CI-DESSUS, AUCUNE GARANTIE OU AFFIRMATION DE FAIT, EXPRESSE OU IMPLICITE, AUTRE QUE COMME INDIQUE DANS LA "GARANTIE LIMITEE" CI-DESSUS EST FAITE AUTORISE PAR DAYTON.

**L'ADEQUATION DU PRODUIT.** DE NOMBREUX JURIDICTIONS ONT DES CODES ET REGLEMENTS REGISSANT LA VENTE, LA CONSTRUCTION, L'INSTALLATION ET/OU UTILISATION DE PRODUITS POUR CERTAINS USAGES. QUI PEUT VARIER DE CELLES DES REGIONS VOISINES. BIEN QUE DES TENTATIVES SOIENT FAITES POUR ASSURER QUE LES PRODUITS SONT CONFORMES A CES CODES. GRAINGER NE PEUT PAS GARANTIR LA CONFORMITE, ET NE PEUT PAS ETRE RESPONSIBLE DE LA FACON DONT LE PRODUIT EST INSTALLE OU UTILISE. AVANT L'ACHAT ET L'UTILISATION D'UN PRODUIT, REVOIR LES SPECIFICATIONS / SECURITE, ET TOUS LES CODES ET LES REGLEMENTATIONS NATIONALES ET LOCALES EN VIGUEUR, ET ETRE SUR QUE LE PRODUIT, L'INSTALLATION ET L'UTILISATION SERONT CONFORMES AVEC EUX.

**LES CONSOMMATEURS SEULEMENT.** CERTAINS ASPECTS DE DESISTEMENT NE SONT PAS APPLICABLES AUX PRODUITS DE CONSOMMATION VENDUS AUX CONSOMMATEURS: (A) CERTAINES JURIDICTIONS NE PERMETTENT PAS L'EXCLUSION OU LA LIMITATION DES DEMANDES INCITENDALES OU INDIRECTES. DONC, LA LIMITATION OU L'EXCLUSION CI-DESSUS PEUVENT NE PAS VOUS CONCERNER: (B) EGALEMENT, CERTAINES JURIDICTIONS NE PERMETTENT PAS A UNE LIMITATION DE LA DUREE D'UNE GARANTIE DE L'IMPLIDE DURE, AINSI LA LIMITATION CI-DESSUS PEUVENT NE PAS VOUS CONCERNER. ET (C) PAR LA LOI, PENDANT LA PERIODE DE CETTE GARANTIE LIMITEE, ET LES GARANTIES IMPLICITES DE QUALITE MARCHANDE OU D'ADEQUATION A UN USAGE DE PARTICULAIRE APPLICABLE AUX PRODUITS DE CONSOMMATION ACHETES PAR LES CLIENTS, NE PEUT PAS ETRE EXCLUE OU AUTREMENT PAS ACCORDE.

CETTE GARANTIE LIMITEE EST VALABLE SEULEMENT POUR LES PRODUITS DE SPEEDAIRE ACHETES PAR LES ACHETEURS DES ETATS-UNIS POUR LA LIVRAISON AUX ETATS-UNIS.

### **SERVICE DE GARANTIE**

*Pour obtenir le service de garantie si vous avez acheté le produit couvert directement de W.W.Grainger, Inc. ("Grainger"), (i) écrivez ou téléphonez ou visitez la branche de Grainger locale à partir de laquelle le produit a été acheté ou une autre branche Grainger près de vous ( voir [www. Grainger.com](http://www.Grainger.com) pour une liste des branches de Grainger); ou (ii) contactez Grainger en allant à [www. Grainger.com](http://www. Grainger.com) et cliquant sur "contactez avec nous" lien en haut de la page, et puis cliquant sur "Email nous" lien; ou (iii) téléphonez à la service de client (gratuit) au 1-888-261-8649. Pour obtenir le service de garantie si vous avez acheté le produit couvert d'un autre distributeur ou revendeur. (i) allez à [www. Grainger.com](http://www. Grainger.com) pour le service de garantie; (ii) écrivez ou téléphonez ou visitez la branche de Grainger près de vous; (iii) téléphonez à la service de client (gratuit) au 1-888-261-8649. Dans tous les cas, vous devez fournir, dans la mesure disponible, la date d'achat, le numéro de facture originale, le nombre d'actions, d'une description du défaut et rien d'autre spécifié dans cette Garantie limitée d'une année de Westward. Vous devez être amené à envoyer le produit pour inspection à vos frais. Vous pouvez suivre l'état d'avancement des inspections et des corrections dans les mêmes moyens. Le titre et le risque de perte passent à l'acheteur lors de la livraison au transporteur commun, de sorte que si le produit a été endommagé en transit vers vous, la revendication d'ile avec le transporteur, et non le détaillant ou Grainger ou Dayton. Pour l'information sur la garantie pour les acheteurs et/ou la livraison à l'extérieur des États-Unis, contactez s'il vous plaît:*

**Dayton Electric Mfg. Co.,**

**100 Grainger Parkway, Lake Forest, IL 60045 LES ETATS-UNIS**

**Ou téléphonez au +1-888-361-8649**