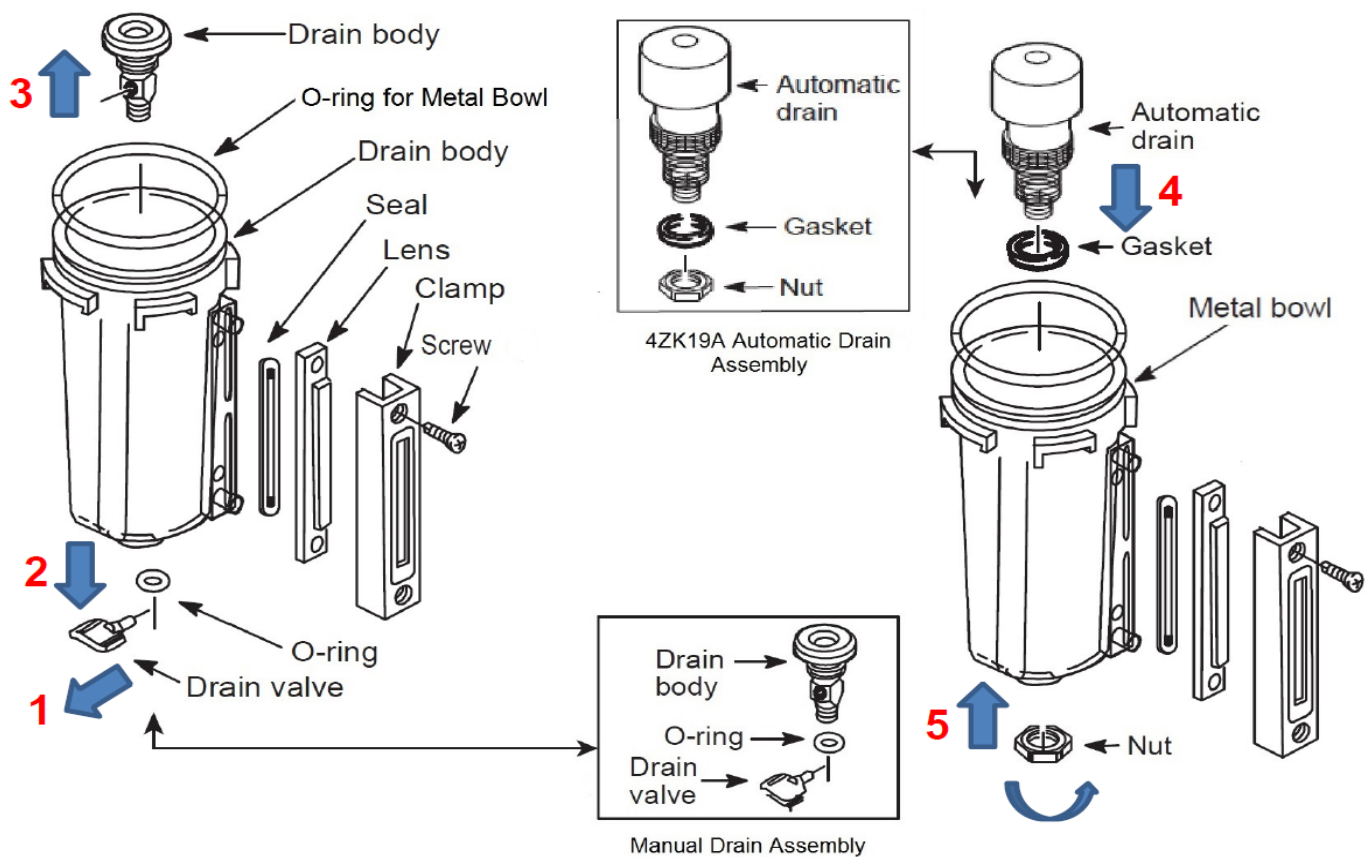


## SPEEDAIRE 4ZK19A INTERMEDIATE AUTOMATIC FILTER DRAIN INSTALLATION INSTRUCTIONS

for

**4ZK86A, 4ZK88A, 4ZK90A, 4ZL31A, 4ZL33A, 4ZL35A,  
4ZL37A, 4ZL39A & 4ZL41A** Intermediate Metal Bowl  
(with Sight Glass) General Purpose Air Line Filter,  
Filter/Regulator & Oil Removal (Coalescing) Filters



1. Remove the drain valve petcock with pliers.
2. Remove the O-ring from the drain stem with a screwdriver.
3. Lift the manual drain body up until it is completely out of the metal bowl.
4. Place the automatic drain body with gasket into the metal bowl and push it through until the threads are exposed out the bottom of the bowl.
5. Install the automatic drain nut. Tighten the nut until snug (do not over-tighten).