



SPEEDAIR®



Filter/Regulator

**Models: 4ZK86A, 4ZK87A, 4ZK88A,
4ZK89A, 4ZK90A, 4ZK91A,
4ZK92A, 4ZK93A**

PLEASE READ AND SAVE THESE INSTRUCTIONS. READ CAREFULLY BEFORE ATTEMPTING TO ASSEMBLE, INSTALL, OPERATE OR MAINTAIN THE PRODUCT DESCRIBED.

PROTECT YOURSELF AND OTHERS BY OBSERVING ALL SAFETY INFORMATION. FAILURE TO COMPLY WITH INSTRUCTIONS COULD RESULT IN PERSONAL INJURY AND/OR PROPERTY DAMAGE! RETAIN INSTRUCTIONS FOR FUTURE REFERENCE.

PLEASE REFER TO BACK COVER FOR INFORMATION REGARDING DAYTON'S WARRANTY AND OTHER IMPORTANT INFORMATION.

Model #: _____

Serial #: _____

Purch. Date: _____

*Printed in China
NSC100 / Version 1/ 11/ 15/2015
© 2015 W.W. Grainger, Inc.
All Rights Reserved*



BEFORE YOU BEGIN

Unpack

- After unpacking unit, inspect carefully for any damage that may have occurred during transit. Check for loose, missing, or damaged parts. Shipping damage claim must be filed with carrier.

Contents



**4ZK86A, 4ZK88A,
4ZK90A**

**4ZK87A, 4ZK89A,
4ZK91A**

4ZK92A, 4ZK93A



- See General Safety Instructions on page 2.



GENERAL SAFETY INFORMATION

Speedaire air line filter/regulators are designed to (1) remove airborne impurities, dirt particles, condensation and oil aerosols from compressed air through air supply lines, and (2) adjust and maintain air pressure set at a level which can efficiently operate air tools and other air-operated equipments. The filter section works by means of centrifugal force and a filter element while the regulator section is self-relieving and provides high air flow and maintains the set pressure with minimum pressure drop between the actual air compressor outlet pressure and the set pressure to tools and equipments.

The device may only be operated in the permanent installation in pressured air systems. Improper use or modifications to the device or the use of its components which are not tested and approved by the manufacturer may result in unforeseen damage.

Air line filter/regulators are used in a variety of air systems which may go with air compressor, spray gun, lubricators, hoses, etc. Read and understand all safety instructions, installation instructions and operation instructions before using this unit. Basic safety precautions should always be followed to reduce the risk of personal injury and/or property damage.

GENERAL SAFETY INSTRUCTIONS

1. Read all safety instructions. Failure to do so may cause harm to you and others.
2. Keep children and unauthorized persons away from the device. Ensure that children are not able to play with the device.
3. Do not overload the device. Do not use the device for purposes for which it is not intended.
4. Always make sure that the air line is in good condition.
5. Hose and connection should be inspected to avoid any leakage before use.
6. Residual air in the system needs to be released before service or repair.
7. Ensure that all connections and supply lines are rated for the required pressure and air flows.

▲ CAUTION Polycarbonate bowls are not recommended for use in atmospheres containing chemicals such as acetone, benzene, carbon tetrachloride, gasoline, toluene and/or air compressor systems using synthetic fire-resistant lubricants.

SPECIFICATIONS



| Model | Max. Inlet Press. | Max. temp. | Max. Flow | Main Ports | Gauge Ports | Bowl | Element Micron Rating | Pressure Adjustment Range | Wt. (lbs) |
|--------|-------------------|------------|-----------|------------|-------------|---------------|-----------------------|---------------------------|-----------|
| 4ZK86A | 250 psi | 175°F | 80 cfm | 1/4" | 1/4" | Metal | 40 µm | 5 to 150 psi | 1.50 |
| 4ZK87A | 150 psi | 125°F | 80 cfm | 1/4" | 1/4" | Polycarbonate | 40 µm | 5 to 150 psi | 1.50 |
| 4ZK88A | 250 psi | 175°F | 120 cfm | 3/8" | 1/4" | Metal | 40 µm | 5 to 150 psi | 1.50 |
| 4ZK89A | 150 psi | 125°F | 120 cfm | 3/8" | 1/4" | Polycarbonate | 40 µm | 5 to 150 psi | 1.50 |
| 4ZK90A | 250 psi | 175°F | 120 cfm | 1/2" | 1/4" | Metal | 40 µm | 5 to 150 psi | 1.50 |
| 4ZK91A | 150 psi | 125°F | 120 cfm | 1/2" | 1/4" | Polycarbonate | 40 µm | 5 to 150 psi | 1.50 |
| 4ZK92A | 150 psi | 125°F | 80 cfm | 1/4" | 1/4" | Polycarbonate | 40 µm | 5 to 150 psi | 1.50 |
| 4ZK93A | 150 psi | 125°F | 120 cfm | 3/8" | 1/4" | Polycarbonate | 40 µm | 5 to 150 psi | 1.50 |

- Air supply must be dry enough to avoid ice formation below +35°F.
- At 150 psi inlet pressure, set pressure of 90 psi, and a 15 psi pressure drop.

DIMENSIONS (inch)

| Grainger Items No. | Length (In./mm) | Width (In./mm) | Height (In./mm) |
|--------------------|-----------------|----------------|-----------------|
| 4ZK86A | 2.68/68 | 4.65/118 | 9.95/252 |
| 4ZK87A | 2.68/68 | 4.65/118 | 9.95/252 |
| 4ZK88A | 2.68/68 | 4.65/118 | 9.95/252 |
| 4ZK89A | 2.68/68 | 4.65/118 | 9.95/252 |
| 4ZK90A | 2.68/68 | 4.65/118 | 9.95/252 |
| 4ZK91A | 2.68/68 | 4.65/118 | 9.95/252 |
| 4ZK92A | 2.68/68 | 4.65/118 | 9.95/252 |
| 4ZK93A | 2.68/68 | 4.65/118 | 9.95/252 |

INSTALLATION INSTRUCTIONS

1. Before installation, check whether the connections used match the maximum pressure of the filter/regulator.
2. Shut off air pressure from air system. Install the filter/regulator vertically with the bowl down in the air line. Ensure that the filter/regulator is installed with inlet/outlet air flow in the proper direction of arrow on the unit. The filter/regulator should be installed upstream of lubricator(s), and cycling valve(s) in the air line, and should be as close as possible to the device being serviced when used as a main line filter/regulator and/or as a final filter/regulator.
3. Connect pipes to the inlet and outlet ports using pipe thread sealant tape on male threads only. When screwing pipes together, prevent ingress of shavings and sealant to the interior of the unit. Contaminations in the unit may cause it to fail.
4. Make sure that all connections to the filter/regulator are tight and secure.
5. Push bowl, or bowl with guard, into the filter/regulator body and turn fully clockwise before pressurizing.
6. Install a pressure gauge to either of the gauge ports facing the operator. The other gauge port should be plugged or can be used as an additional air outlet for regulated air.
7. The filter/regulator must be installed in such a way that no mechanical force or tension occurs.

OPERATING INSTRUCTIONS (See Figure 2)

1. Ensure that the pressure to the air inlet of the filter/regulator from air line does not exceed the maximum pressure specified in the instructions.
2. Before applying inlet pressure, pull the adjustment upwards until you hear the click, turn it counterclockwise to release all force on the regulating spring. Then push the adjustment downwards until you hear the click.
3. Air inlet pressure can be approached by turning the adjustment. Pull the adjustment upwards until you hear the click, turn it clockwise to increase the pressure or counterclockwise to decrease the pressure. When the desired pressure is obtained, pull the adjustment downwards until you hear the click to secure the adjustment.
4. Knob adjustment. Push knob down to lock pressure setting. Pull knob up to release.
5. The set air pressure can be read on the pressure gauge.
6. Always approach the desired pressure gradually, either from a lower pressure to a higher pressure, or from a higher pressure to a lower pressure.
7. The filter/regulator is equipped with a manual drain. Turn manual drain valve to drain accumulated liquids inside the bowl. Take care to drain the liquids from the bowl whenever necessary and always keep the liquids below the baffle.

4

8. The filter element should be replaced when the pressure drop across the element exceeds 15 psi. When an excessive pressure drop across a saturated but uncontaminated element occurs, it may indicate that the tool being operated exceeds the maximum flow rate (CFM) of the filter (See **Specifications**). Refer to the maximum flow rate of your filter/regulator and make sure that the required CFM of the tool is within the maximum flow rate of your filter/regulator for best tool operation.

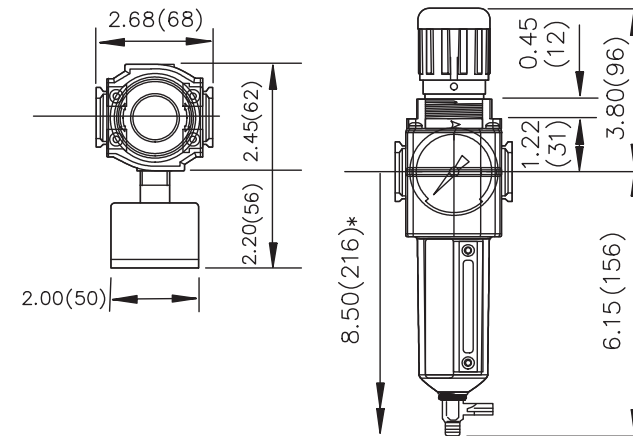
DIAGRAMS

figure 1

5

MAINTENANCE**Maintenance Steps****1 Disassembly (See Figure 2)**

- Filter/regulator can be disassembled without removal from air line.
- Shut OFF inlet pressure. Reduce pressure in inlet and outlet lines to zero.
- Turn adjustment fully counterclockwise.
- Remove bowl. Push into body and turn counterclockwise.
- Disassemble in general accordance with the parts illustrated in Figure 2. Do not remove the drain unless replacement is necessary. Remove and replace only if drain malfunctions or converting to automatic drain.

2 Cleaning(See Figure 2)

- Clean plastic bowl with warm water only. Clean other parts with warm water and soap.
- Rinse and dry parts. Blow out internal passages in body with clean, dry, compressed air. Blow air through filter element from inside to outside to remove surface contaminants.
- Inspect parts. Replace those found to be damaged. Replace plastic bowl with a metal bowl if plastic bowl shows signs of cracking or cloudiness.

3 Assembly (See Figure 2)

- Lubricate o-rings, adjusting screw threads and tip, outer circumference and both sides of thrust washer, portion of the manual drain body that contacts bowl, hole in manual drain body that accommodates stem of drain valve, and valve stem with o-ring grease.
- Assemble as shown on Figure 2.
- Torque items listed in Torque Table.
- Push bowl, or bowl with guard, into body and turn fully clockwise.

Torque Table

| Parts Ref. No. | Inch Pounds (N-m) |
|----------------------|-----------------------|
| Screw (a), Screw (b) | 20 to 30 (2.3 to 3.4) |
| Screw (c) | 15 to 30 (1.7 to 3.4) |
| Baffle, Louver | 10 to 20 (1.1 to 2.3) |
| Nut | 20 to 25 (2.3 to 2.8) |

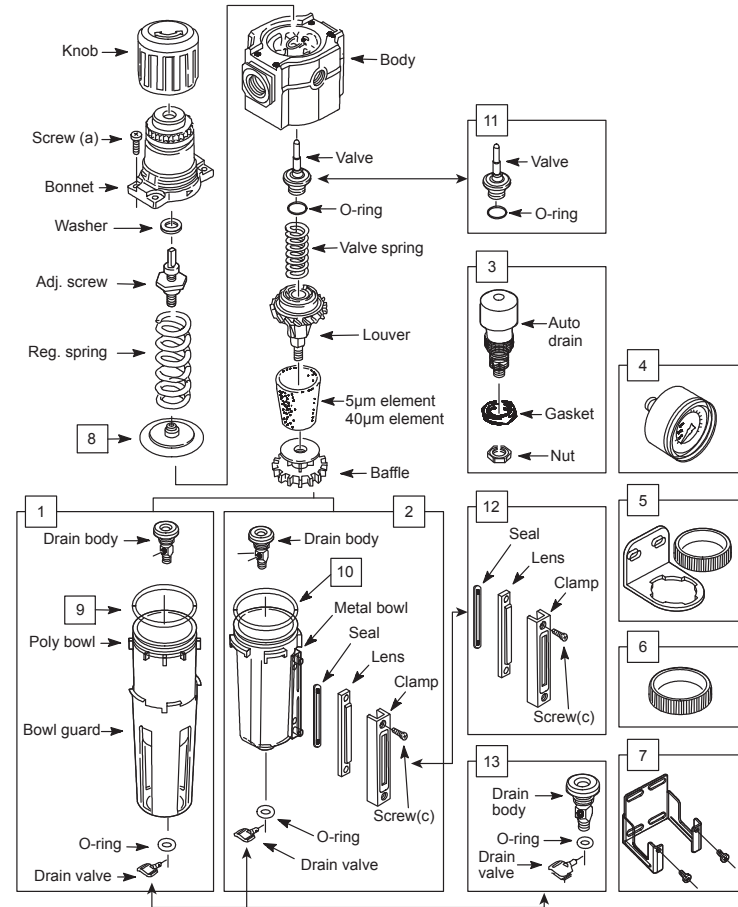
REPAIR PARTS ILLUSTRATION FOR 4ZK86A, 4ZK87A, 4ZK88A, 4ZK89A, 4ZK90A, 4ZK91A, 4ZK92A, 4ZK93A

figure 2

For Repair Parts, call 1-800-323-0620
24 hours a day – 365 days a year

Please provide following information:

- Model number
- Serial number (if any)
- Part description and number as shown in parts list



REPAIR PARTS ILLUSTRATION FOR 4ZK86A, 4ZK87A, 4ZK88A, 4ZK89A, 4ZK90A, 4ZK91A, 4ZK92A, 4ZK93A

| Ref. No. | Parts Description | Part No. | Qty. |
|----------|------------------------|----------|------|
| 1 | Poly bowl assembly | 1AKG6A | 1 |
| 2 | Metal bowl and O-ring | 114X33 | 1 |
| 3 | Auto drain kit | 4ZK19A | 1 |
| 4 | Gauge | 4FMC7 | 1 |
| 5 | Neck bkt & nut | 4ZK57A | 1 |
| 6 | Nut | 4ZK58A | 1 |
| 7 | Universal wall bracket | 4ZK53A | 1 |
| 8 | Diaphragm | 114X47 | 1 |
| 9 | O-ring for poly bowl | 114X65 | 1 |
| 10 | O-ring for metal bowl | 114X69 | 1 |
| 11 | Valve assembly | 114X52 | 1 |
| 12 | Sight glass kit | 114X61 | 1 |
| 13 | Manual drain kit | 114X72 | 1 |

SPEEDAIRE ONE-YEAR LIMITED WARRANTY

SPEEDAIRE ONE-YEAR LIMITED WARRANTY. All Speedaire® product models covered in this manual are warranted by Dayton Electric Mfg. Co. ("Dayton") to the original user against defects in workmanship or materials under normal use for one year after date of purchase. If the Speedaire Product is part of a set, only the portion that is defective is subject to this warranty. Any product or part which is determined to be defective in material or workmanship and returned to an authorized service location, as Dayton or Dayton's designee designates, shipping costs prepaid, will be, as the exclusive remedy, repaired or replaced with a new or reconditioned product or part of equal utility or a full refund given, at Dayton's or Dayton's designee's option, at no charge. For limited warranty claim procedures, see "Warranty Service" below. This warranty is void if there is evidence of misuse, mis-repair, mis-installation, abuse or alteration. This warranty does not cover normal wear and tear of Speedaire Products or portions of them, or products or portions of them which are consumable in normal use. This limited warranty gives purchasers specific legal rights, and you may also have other rights which vary from jurisdiction to jurisdiction.

WARRANTY DISCLAIMERS AND LIMITATIONS OF LIABILITY RELATING TO ALL CUSTOMERS FOR ALL PRODUCTS LIMITATION OF LIABILITY. TO THE EXTENT ALLOWABLE UNDER APPLICABLE LAW, DAYTON'S LIABILITY FOR CONSEQUENTIAL AND INCIDENTAL DAMAGES IS EXPRESSLY DISCLAIMED. DAYTON'S LIABILITY IN ALL EVENTS IS LIMITED TO AND SHALL NOT EXCEED THE PURCHASE PRICE PAID.

WARRANTY DISCLAIMER. A DILIGENT EFFORT HAS BEEN MADE TO PROVIDE PRODUCT INFORMATION AND ILLUSTRATE THE SPEEDAIRE PRODUCTS IN THIS LITERATURE ACCURATELY; HOWEVER, SUCH INFORMATION AND ILLUSTRATIONS ARE FOR THE SOLE PURPOSE OF IDENTIFICATION, AND DO NOT EXPRESS OR IMPLY A WARRANTY THAT THE SPEEDAIRE PRODUCTS ARE MERCHANTABILITY, OR FIT FOR A PARTICULAR PURPOSE, OR THAT THE SPEEDAIRE PRODUCTS WILL NECESSARILY CONFORM TO THE ILLUSTRATIONS OR DESCRIPTIONS. EXCEPT AS PROVIDED BELOW, NO WARRANTY OR AFFIRMATION OF FACT, EXPRESSED OR IMPLIED, OTHER THAN AS STATED IN THE "LIMITED WARRANTY" ABOVE IS MADE OR AUTHORIZED BY DAYTON.

PRODUCT SUITABILITY. MANY JURISDICTIONS HAVE CODES AND REGULATIONS GOVERNING SALES, CONSTRUCTION, INSTALLATION, AND/OR USE OF PRODUCTS FOR CERTAIN PURPOSES, WHICH MAY VARY FROM THOSE IN NEIGHBORING AREAS. WHILE ATTEMPTS ARE MADE TO ASSURE THAT SPEEDAIRE PRODUCTS COMPLY WITH SUCH CODES, DAYTON CANNOT GUARANTEE COMPLIANCE, AND CANNOT BE RESPONSIBLE FOR HOW THE PRODUCT IS INSTALLED OR USED. BEFORE PURCHASE AND USE OF A PRODUCT, REVIEW THE SAFETY/ SPECIFICATIONS, AND ALL APPLICABLE NATIONAL AND LOCAL CODES AND REGULATIONS, AND BE SURE THAT THE SPEEDAIRE PRODUCT, INSTALLATION, AND USE WILL COMPLY WITH THEM.

CONSUMERS ONLY. CERTAIN ASPECTS OF DISCLAIMERS ARE NOT APPLICABLE TO CONSUMER PRODUCTS SOLD TO CONSUMERS; (A) SOME JURISDICTIONS DO NOT ALLOW THE EXCLUSION OR LIMITATION OF INCIDENTAL OR CONSEQUENTIAL DAMAGES, SO THE ABOVE LIMITATION OR EXCLUSION MAY NOT APPLY TO YOU; (B) ALSO, SOME JURISDICTIONS DO NOT ALLOW A LIMITATION ON HOW LONG AN IMPLIED WARRANTY LASTS, SO THE ABOVE LIMITATION MAY NOT APPLY TO YOU; AND (C) BY LAW, DURING THE PERIOD OF THIS LIMITED WARRANTY, ANY IMPLIED WARRANTIES OF MERCHANTABILITY OR FITNESS FOR A PARTICULAR PURPOSE APPLICABLE TO CONSUMER PRODUCTS PURCHASED BY CONSUMERS, MAY NOT BE EXCLUDED OR OTHERWISE DISCLAIMED.

THIS LIMITED WARRANTY ONLY APPLIES TO SPEEDAIRE PRODUCTS PURCHASED BY UNITED STATES PURCHASERS FOR DELIVERY IN THE UNITED STATES.

WARRANTY SERVICE

To obtain warranty service if you purchased the covered product directly from W.W. Grainger, Inc. ("Grainger"), (i) write or call or visit the local Grainger branch from which the product was purchased or another Grainger branch near you (see www.grainger.com for a listing of Grainger branches); or (ii) contact Grainger by going to www.grainger.com and clicking on the "Contact Us" link at the top of the page, then clicking on the "Email us" link; or (iii) call Customer Care (toll free) at 1-888-361-8649. To obtain warranty service if you purchased the covered product from another distributor or retailer, (i) go to www.grainger.com for Warranty Service; (ii) write or call or visit a Grainger branch near you; or (iii) call Customer Care (toll free) at 1-888-361-8649. In any case, you will need to provide, to the extent available, the purchase date, the original invoice number, the stock number, a description of the defect and anything else specified in this Speedaire One-Year Limited Warranty. You may be required to send the product in for inspection at your cost. You can follow up on the progress of inspections and corrections in the same ways. Title and risk of loss pass to buyer on delivery to common carrier, so if product was damaged in transit to you, file claim with carrier, not the retailer, Grainger or Dayton. For warranty information for purchasers and/or delivery outside the United States, please contact:

Dayton Electric Mfg. Co.,
100 Grainger Parkway, Lake Forest, IL 60045 U.S.A.
 or call **+1-888-361-8649**

®

SPEEDAIR®



Filtro/Regulator

**Modelos: 4ZK86A, 4ZK87A, 4ZK88A,
4ZK89A, 4ZK90A, 4ZK91A,
4ZK92A, 4ZK93A**

POR FAVOR LEA Y GUARDE ESTAS INSTRUCCIONES. LEA ATENTAMENTE ANTES DE INTENTAR ARMAR, INSTALAR, OPERAR O MANTENER EL PRODUCTO DESCRITO.

PROTEGERSE Y OTROS OBSERVANDO TODA LA INFORMACIÓN DE SEGURIDAD. NO CUMPLIR CON LAS INSTRUCCIONES PUEDE RESULTAR EN LESIONES PERSONALES Y / O DAÑOS A LA PROPIEDAD! GUARDE LAS INSTRUCCIONES PARA FUTURA REFERENCIA.

CONSULTE EN LA CONTRAPORTADA LA INFORMACIÓN SOBRE LA GARANTÍA DE DAYTON Y OTRA INFORMACIÓN IMPORTANTE.

Modelo #: _____

Serie #: _____

Fecha de compra: _____

Impreso en China
NSC100 / Versión 1/ 11/ 15/2015
© 2015 W.W. Grainger, Inc.
Todos los derechos reservados

ANTES DE QUE EMPIECES

Desembalaje

- Después de desempacar la unidad, inspeccione cuidadosamente por cualquier daño que pueda haber ocurrido durante el transporte. Compruebe si hay piezas sueltas, faltantes o dañados. Reclamación por daños de envío debe ser presentada con el portador.

Contenidos



**4ZK86A, 4ZK88A,
4ZK90A**

**4ZK87A, 4ZK89A,
4ZK91A**

4ZK92A, 4ZK93A



- Vea las instrucciones generales de seguridad en la página 2.

INFORMACIÓN GENERAL DE SEGURIDAD

Speedaire filtro / reguladores de línea de aire están diseñados para (1) eliminar el aire impurezas, partículas de suciedad, la condensación y los aerosoles de aceite de aire comprimido a través de las líneas de suministro de aire, y (2) ajustar y mantener la presión de aire fijado a un nivel que puede operar de manera eficiente las herramientas de aire y otros equipos operados por aire. La sección de filtro funciona por medio de la fuerza centrífuga y un elemento de filtro mientras que la sección del regulador es auto-alivio y proporciona un flujo de aire de alta y mantiene la presión de ajuste con una caída de presión mínima entre la presión de salida del compresor de aire real y la presión de ajuste de herramientas y equipos.

El aparato sólo se puede operar en la instalación permanente en los sistemas de aire a presión. El uso inapropiado o modificaciones hechas al dispositivo o el uso de sus componentes que no son probados y aprobados por el fabricante puede resultar en daños imprevistos.

Filtro de la línea aérea / reguladores se utilizan en una variedad de sistemas de aire que puede ir con compresor de aire, pistola, lubricadores, mangueras, etc. Lea y comprenda todas las instrucciones de seguridad, instrucciones de instalación y las instrucciones de uso antes de utilizar esta unidad. Precauciones básicas de seguridad siempre se deben seguir para reducir el riesgo de lesiones personales y / o daños materiales.

INSTRUCCIONES GENERALES DE SEGURIDAD

1. Lea todas las instrucciones de seguridad. El no hacerlo puede causar daño a usted ya los demás.
2. Mantenga a los niños y personas no autorizadas lejos del dispositivo. Asegúrese de que los niños no son capaces de jugar con el dispositivo.
3. No sobrecargue el aparato. No utilice el dispositivo para fines para los que no está destinado.
4. Asegúrese siempre de que la línea aérea está en buenas condiciones.
5. Manguera y conexiones deben ser inspeccionados para evitar cualquier fuga antes de su uso.
6. aire residual en el sistema necesita para ser lanzado antes del servicio o reparación.
7. Asegúrese de que todas las conexiones y líneas de suministro están clasificados para los flujos de presión y de aire requerido.



ATENCIÓN

Tazones de policarbonato no se recomiendan para uso en atmósferas que contienen productos químicos como acetona, benceno, tetracloruro de carbono, la gasolina, tolueno y / o sistemas de compresores de aire utilizando lubricantes sintéticos resistentes de fuego.

ESPECIFICACIONES

| Modelo | Max. presión entrada | Max. temp. | Max. flujo | Puertos principales | Puertos de medir | Tazón | Clasificación de micrón de elemento | Rango de ajuste de presión | Wt. (lbs) |
|--------|----------------------|------------|------------|---------------------|------------------|---------------|-------------------------------------|----------------------------|-----------|
| 4ZK86A | 250 psi | 175°F | 80 cfm | 1/4" | 1/4" | Metal | 40 µm | 5 a 150 psi | 1.50 |
| 4ZK87A | 150 psi | 125°F | 80 cfm | 1/4" | 1/4" | Policarbonato | 40 µm | 5 a 150 psi | 1.50 |
| 4ZK88A | 250 psi | 175°F | 120 cfm | 3/8" | 1/4" | Metal | 40 µm | 5 a 150 psi | 1.50 |
| 4ZK89A | 150 psi | 125°F | 120 cfm | 3/8" | 1/4" | Policarbonato | 40 µm | 5 a 150 psi | 1.50 |
| 4ZK90A | 250 psi | 175°F | 120 cfm | 1/2" | 1/4" | Metal | 40 µm | 5 a 150 psi | 1.50 |
| 4ZK91A | 150 psi | 125°F | 120 cfm | 1/2" | 1/4" | Policarbonato | 40 µm | 5 a 150 psi | 1.50 |
| 4ZK92A | 150 psi | 125°F | 80 cfm | 1/4" | 1/4" | Policarbonato | 40 µm | 5 a 150 psi | 1.50 |
| 4ZK93A | 150 psi | 125°F | 120 cfm | 3/8" | 1/4" | Policarbonato | 40 µm | 5 a 150 psi | 1.50 |

- El aire suministrado debe estar suficientemente seco para evitar la formación de hielo por debajo de +35°F.
- En presión de entrada de 150 psi, sistema de presión de 90 psi, y una caída de presión de 15 psi.

DIMENSIONES (pulgada)

| Grainger artículos No. | Longitud (In./mm) | Anchura (In./mm) | Altura (In./mm) |
|------------------------|-------------------|------------------|-----------------|
| 4ZK86A | 2.68/68 | 4.65/118 | 9.95/252 |
| 4ZK87A | 2.68/68 | 4.65/118 | 9.95/252 |
| 4ZK88A | 2.68/68 | 4.65/118 | 9.95/252 |
| 4ZK89A | 2.68/68 | 4.65/118 | 9.95/252 |
| 4ZK90A | 2.68/68 | 4.65/118 | 9.95/252 |
| 4ZK91A | 2.68/68 | 4.65/118 | 9.95/252 |
| 4ZK92A | 2.68/68 | 4.65/118 | 9.95/252 |
| 4ZK93A | 2.68/68 | 4.65/118 | 9.95/252 |

INSTRUCCIONES DE INSTALACIÓN

1. Antes de la instalación, compruebe que las conexiones utilizadas se ajustan a la presión máxima del filtro / regulador.
2. Apague la presión de aire del sistema de aire. Instale el filtro / regulador verticalmente con el cuenco en la línea de aire. Asegúrese de que el filtro / regulador se instala con el flujo de aire de entrada / salida en la dirección apropiada de la flecha en la unidad. El filtro / regulador debe ser instalado aguas arriba del lubricador (s), y la válvula de bicicleta (s) en la línea de aire, y debe estar tan cerca como sea posible del dispositivo objeto del mantenimiento cuando se utiliza como línea principal filtro / regulador y / o como un filtro / regulador final.
3. Conecte los tubos a los puertos de entrada y salida utilizando cinta selladora de roscas de tubería sólo en las roscas macho. Al atornillar tubos juntos, evitar la entrada de virutas y sellador en la parte interior de la unidad. Contaminantes de la unidad pueden causar que falle.
4. Asegúrese de que todas las conexiones con el filtro / regulador son firmes y seguras.
5. Empuje el tazón o tazón con guardia, en organismo del filtro / regulador y gire completamente a la derecha antes de presurizar.
6. Instale un manómetro a cualquiera de los puertos de calibre que se enfrenta el operador. El otro puerto de calibre debe ser conectado o se puede utilizar como una salida de aire adicional para el aire regulado.
7. El filtro / regulador debe estar instalado de tal manera que no se produce fuerza mecánica o tensión.

INSTRUCCIONES DE OPERACIÓN (Ver Figura 2)

1. Asegúrese de que la presión a la entrada de aire del filtro / regulador de la línea de aire no exceda la presión máxima indicada en las instrucciones.
2. Antes de aplicar la presión de entrada, tire del ajuste hacia arriba hasta que escuche el clic, girando en sentido contrario para liberar toda la fuerza sobre el resorte de regulación. A continuación, empuje el ajuste hacia abajo hasta oír el clic.
3. La presión de entrada de aire se puede abordar girando el ajuste. Tire el ajuste hacia arriba hasta que escuche el clic, gire hacia la derecha para aumentar la presión o hacia la izquierda para disminuir la presión. Cuando se obtiene la presión deseada, tire el ajuste hacia abajo hasta oír el clic para fijar el ajuste.
4. Perilla de ajuste. Mueva el mando hacia abajo para bloquear el ajuste de presión. Tire de la perilla para liberar.
5. La presión de aire fijado se puede leer en el manómetro.
6. Siempre se aproximan gradualmente la presión deseada, ya sea desde una presión inferior a una presión superior, o desde una presión más alta a una presión más baja.
7. El filtro / regulador está equipado con un drenaje manual. Gire la válvula de drenaje manual para drenar los líquidos acumulados en el interior del recipiente. Tenga cuidado para drenar los líquidos del tazón siempre que sea necesario y mantener siempre los líquidos debajo del deflector .

4

8. El elemento filtrante debe sustituirse cuando la caída de presión a través del elemento excede 15 psi. Cuando se produce una caída de presión excesiva a través de un elemento saturado pero no contaminada, se puede indicar que la herramienta que se está operada excede la tasa máxima de flujo (CFM) del filtro (**Ver especificaciones**). Consulte el caudal máximo de su filtro / regulador y asegurarse de que el CFM requerido de la herramienta se encuentra dentro del caudal máximo de su filtro / regulador para el mejor funcionamiento de la herramienta.

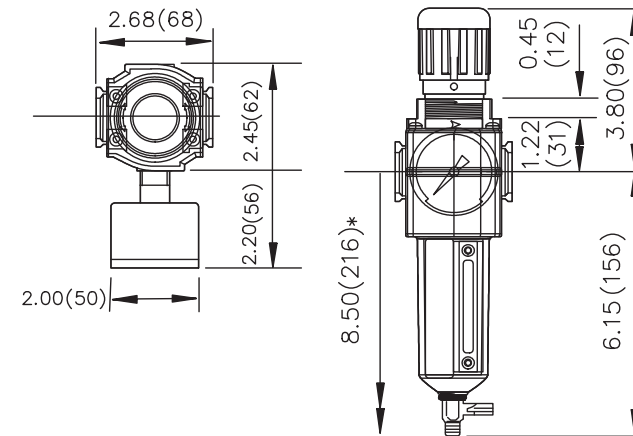
DIAGRAMAS

figura 1

5

MANTENIMIENTO**Pasos de mantenimiento****1 Desmontaje (Ver figura 2)**

- Filtro / regulador se puede desmontar sin necesidad de retirar de la línea aérea.
- Apagar OFF presión de entrada. Reducir la presión en las líneas de entrada y salida a cero.
- Girar el ajuste completamente a la izquierda.
- Retirar tazón. Empujar en el cuerpo y girar a la izquierda.
- Desmontar en general de acuerdo con las partes ilustradas en la Figura 2. No quite el desagüe a menos que el reemplazo es necesario. Extraer y sustituir sólo si el mal funcionamiento de drenaje o la conversión de drenaje automático.

2 Limpieza (Ver figura 2)

- Limpiar el recipiente de plástico con sólo agua tibia. Limpiar las otras partes con agua tibia y jabón.
- Enjuagar y secar las partes. Soplar pasajes internos en el cuerpo limpio y seco, comprimido. Soplar aire a través del elemento de filtro del interior al exterior para eliminar los contaminantes superficiales.
- Inspeccionar las partes. Reemplazar las que se encuentran para ser dañado. Reemplazar el recipiente de plástico con un recipiente de metal si el recipiente de plástico muestra signos de agrietamiento o nubosidad.

3 Montaje (Ver figura 2)

- Lubricar las juntas tóricas, ajustando roscas y punta, circunferencia exterior y ambos lados de la arandela de empuje, parte del cuerpo de drenaje manual que los contactos bol, agujero en el cuerpo de drenaje manual que acomoda tallo de la válvula de drenaje, y el vástago de la válvula con grasa de la junta tórica.
- Ensamblar como se muestra en la Figura 2.
- Artículos de torques que figuran en la tabla de torque.
- Empujar cuenco o bol con guardia, en cuerpo y girar completamente a la derecha.

Tabla de torque

| Piezas Ref. No. | Pulgada libra (N-m) |
|--------------------------|---------------------|
| Tornillo(a), Tornillo(b) | 20 a 30 (2.3 a 3.4) |
| Tornillo (c) | 15 a 30 (1.7 a 3.4) |
| Deflector, Persiana | 10 a 20 (1.1 a 2.3) |
| Tuerca | 20 a 25 (2.3 a 2.8) |

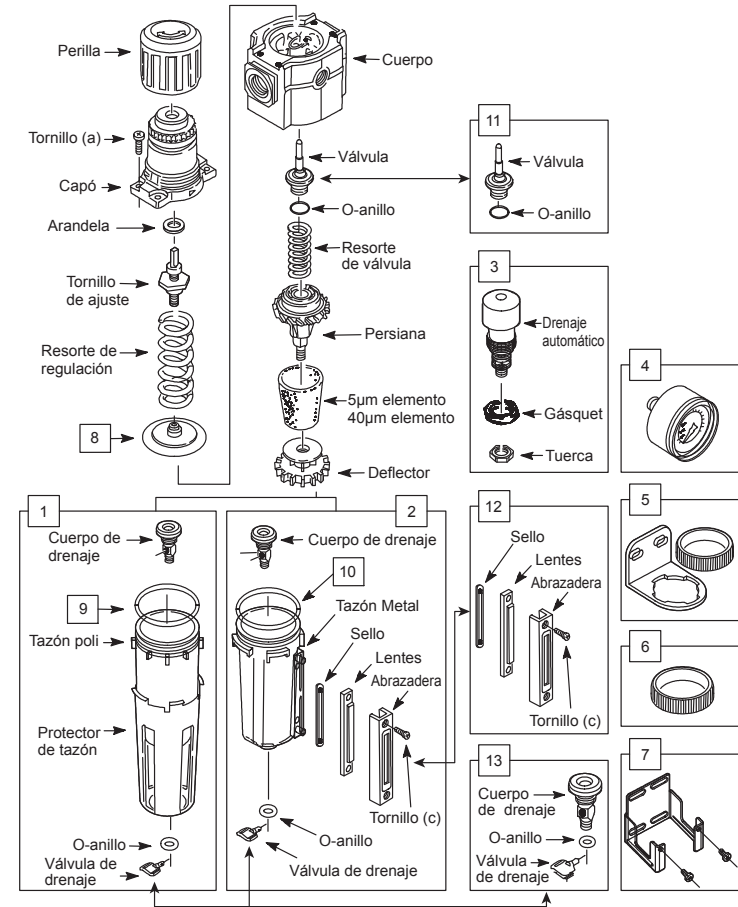
ILUSTRACIÓN DE REPARACIÓN DE PIEZAS PARA 4ZK86A, 4ZK87A, 4ZK88A, 4ZK89A, 4ZK90A, 4ZK91A, 4ZK92A, 4ZK93A

figura 2

**Para reparación de piezas, llamar al
1-800-323-0620
24 horas al día - 365 días al año**

Por favor proporcionar información siguiente:

- Número de modelo
- Número de serie (si los hay)
- Descripción y número de pieza como se muestra en la lista de piezas



ILUSTRACIÓN DE REPARACIÓN DE PIEZAS PARA 4ZK86A, 4ZK87A, 4ZK88A, 4ZK89A, 4ZK90A, 4ZK91A, 4ZK92A, 4ZK93A

| No. de Ref. | Descripción de piezas | Piezas No. | Cant. |
|-------------|--------------------------------|------------|-------|
| 1 | Asamblea de tazón poli | 1AKG6A | 1 |
| 2 | Cuenco metálico y O-anillo | 114X33 | 1 |
| 3 | Conjunto de drenaje automático | 4ZK19A | 1 |
| 4 | Calibre | 4FMC7 | 1 |
| 5 | Perno de cuello & tuerca | 4ZK57A | 1 |
| 6 | Tuerca | 4ZK58A | 1 |
| 7 | SopORTE de pared universal | 4ZK53A | 1 |
| 8 | Diafragma | 114X47 | 1 |
| 9 | O-anillo para cuenco de poli | 114X65 | 1 |
| 10 | O-anillo para cuenco metálico | 114X69 | 1 |
| 11 | Accesorio de válvula | 114X52 | 1 |
| 12 | Kit de mirilla | 114X61 | 1 |
| 13 | Kit de drenaje manual | 114X72 | 1 |

SPEEDAIRE GARANTÍA LIMITADA DE UN AÑO

SPEEDAIRE GARANTÍA LIMITADA DE UN AÑO. Todos los modelos de productos Speedaire® cubiertos en este manual están garantizados por Dayton Electric Mfg. Co. ("Dayton") para el usuario original contra defectos de fabricación o materiales bajo un uso normal durante un año después de la fecha de compra. Si el Producto Speedaire es parte de un conjunto, sólo la parte que presente defectos está sujeta a esta garantía. Cualquier producto o pieza que se determina que es un defecto de fábrica o mano de obra y regresaron a un centro de servicio autorizado, como Dayton o de Dayton designado designa, a portes pagados, que será, como el remedio exclusivo, reparado o sustituido por un producto nuevo o reacondicionado o parte de la misma utilidad o un reembolso completo dado, a elección del diseñador de Dayton o de Dayton, sin costo alguno. Para los procedimientos de reclamación de garantía limitada, consulte "Servicio de garantía" más abajo. Esta garantía es nula si existe evidencia de mal uso, mala reparación, errores de instalación, abuso o alteración. Esta garantía no cubre el desgaste normal de los productos Speedaire o partes de ellos, o productos o partes de ellos que puedan consumirse en uso normal. Esta garantía limitada le otorga compradores derechos legales específicos, y usted también puede tener otros derechos que varían de una jurisdicción a otra.

EXCLUSIONES Y LIMITACIONES DE RESPONSABILIDAD EN RELACIÓN CON TODOS LOS CLIENTES PARA TODOS LOS PRODUCTOS LIMITACIÓN DE RESPONSABILIDAD. A LA MEDIDA PERMITIDA POR LA LEY APLICABLE, LA RESPONSABILIDAD DE DAYTON POR DAÑOS INDIRECTOS Y EXPRESAMENTE RENUNCIA. LA RESPONSABILIDAD DE DAYTON EN TODOS LOS EVENTOS SE LIMITA A Y NO SUPERARÁ EL PRECIO DE COMPRA.

RENUNCIA DE GARANTÍA. UN ESFUERZO DILIGENTE SE HA HECHO EN LA PROVISIÓN DE INFORMACIÓN DEL PRODUCTO Y ILUSTRAR LOS PRODUCTOS SPEEDAIRE EN ESTA LITERATURA EXACTAMENTE; SIN EMBARGO, ESTA INFORMACIÓN E ILUSTRACIONES SON PARA EL ÚNICO PROPÓSITO DE IDENTIFICACIÓN, Y NO EXPRESAN NI IMPLICAN GARANTÍA QUE LOS PRODUCTOS SPEEDAIRE SON COMERCIAL, O FIT PARA UN PROPÓSITO PARTICULAR, O QUE LOS PRODUCTOS SPEEDAIRE SE AJUSTAN NECESARIAMENTE A LAS ILUSTRACIONES O DESCRIPCIONES. EXCEPCIONES PREVISTAS A CONTINUACIÓN, NINGUNA GARANTÍA O AFIRMACIÓN DE HECHO, EXPRESA O IMPLÍCITA, QUE NO SEA ESTIPULADA NÁS "GARANTÍA LIMITADA" ANTERIOR SE HACE O AUTORIZADA POR DAYTON.

CONVENIENCIA DEL PRODUCTO. MUCHAS JURISDICCIONES TIENEN CÓDIGOS Y REGLAMENTOS QUE RIGEN LAS VENTAS, CONSTRUCCIÓN, INSTALACIÓN Y / O USO DE PRODUCTOS PARA CIERTOS PROPÓSITOS, QUE PUEDEN VARIAR DE AQUELLOS EN LAS ZONAS VECINAS. MIENTRAS SE INTENTA GARANTIZAR QUE LOS PRODUCTOS SPEEDAIRE CUMPLAN CON DICHO CÓDIGOS, DAYTON NO PUEDE GARANTIZAR EL CUMPLIMIENTO, Y NO PUEDE SER RESPONSABLE DE CÓMO EL PRODUCTO SE INSTALACIÓN O DE UTILIZACIÓN. ANTES DE LA COMPRA Y USO DE UN PRODUCTO, COMPROBE LA SEGURIDAD / ESPECIFICACIONES Y TODOS LOS CÓDIGOS Y REGLAMENTOS APLICABLES NACIONALES Y LOCALES, Y ESTAR SEGURO QUE EL SPEEDAIRE PRODUCTO, INSTALACIÓN, USO Y CUMPLIREMOS CON ELLOS.

LOS CONSUMIDORES SÓLO. CIERTOS ASPECTOS DE RENUNCIAS NO SON APLICABLES A LOS PRODUCTOS DE CONSUMO VENDIDOS A LOS CONSUMIDORES; (A) ALGUNAS JURISDICCIONES NO PERMITEN LA EXCLUSIÓN O LIMITACIÓN DE DAÑOS INCIDENTALES O DERIVADOS, POR LO QUE LA EXCLUSIÓN O LIMITACIÓN ANTERIOR NO SE APLIQUE EN SU CASO; (B) TAMBIÉN, ALGUNAS JURISDICCIONES NO PERMITEN UNA LIMITACIÓN SOBRE LA DURACIÓN DE UNA GARANTÍA IMPLÍCITA, POR LO QUE LA ANTERIOR PODRÍA NO SER APLICABLE AL USUARIO; Y (C) LA LEY, EN EL PERÍODO DE ESTA GARANTÍA LIMITADA, TODAS LAS GARANTÍAS IMPLÍCITAS DE COMERCIALIZACIÓN O IDONEIDAD PARA UN PROPÓSITO PARTICULAR APLICABLE A LOS PRODUCTOS DE CONSUMO COMPRADOS POR LOS CONSUMIDORES, NO PUEDE SER EXCLUIDOS O DE OTRA MANERA NO VALIDAS.

ESTA GARANTÍA LIMITADA SÓLO SE REFIERE A: SPEEDAIRE PRODUCTOS COMPRADOS POR LOS COMPRADORES DE ESTADOS UNIDOS PARA ENTREGA EN LOS ESTADOS UNIDOS.

SERVICIO DE GARANTÍA

Para obtener servicio de garantía en caso de adquirir el producto cubierto directamente de WW Grainger, Inc. ("Grainger"), (i) escribir o llamar o visitar la sucursal de Grainger local desde el que se adquirió el producto o otra rama Grainger cerca de usted (ver www.grainger.com para obtener una lista de las sucursales Grainger); o (ii) en contacto Grainger por ir a www.grainger.com y haciendo clic en el enlace "Contáctenos" en la parte superior de la página, a continuación, hacer clic en el enlace "Envíenos un correo electrónico"; o (iii) Atención de llamadas al cliente (llamada gratuita) al 1-888-361-8649. Para obtener servicio de garantía en caso de adquirir el producto cubierto de otro distribuidor o minorista, (i) voy a www.grainger.com al Servicio de Garantía; (ii) escribir o llamar o visitar una sucursal de Grainger cerca de usted; o (iii) Atención de llamadas al cliente (llamada gratuita) al 1-888-361-8649. En cualquier caso, usted tendrá que proporcionar, en la medida disponible, la fecha de compra, el número original de la factura, el número de valores, una descripción del defecto y cualquier otra cosa especifican en esta Garantía Speedaire limitada de un año. Es posible que deba enviar el producto para su inspección en su costo. Puede dar seguimiento a los avances de las inspecciones y correcciones en las mismas formas. Título y riesgo de pérdida pasan al comprador en el envío a transporte público, por lo que si el producto se daña en tránsito hacia usted, reclamo a la compañía, no el minorista, Grainger o Dayton. Para información sobre la garantía para los compradores y / o la entrega fuera de los Estados Unidos, por favor póngase en contacto con:

**Dayton Electric Mfg. Co.,
100 Grainger Parkway, Lake Forest, IL 60045 EE.UU.
o llame al +1-888-361-8649**

®

SPEEDAIR®



Filtre/Régulateur

**Modèles: 4ZK86A, 4ZK87A, 4ZK88A,
4ZK89A, 4ZK90A, 4ZK91A,
4ZK92A, 4ZK93A**

**S'IL VOUS PLAÎT LISEZ ET
CONSERVEZ LES INSTRUCTIONS.
LISEZ SOIGNEUSEMENT AVANT
D'ESSAYER DE ASSEMBLER,
INSTALLER, OPERER OU ENTREtenir
CE PRODUIT DECRIT.**

**PROTEGEZ VOUS-MEME ET LES
AUTRES EN OBSERVANT TOUTES
INFORMATIONS SUR LA SÉCURITÉ.
NON-RESPECT DES INSTRUCTIONS
POURRAIT CAUSER DES BLESSURES
ET / OU DES DOMMAGES! CONSERVER
LES INSTRUCTIONS POUR LA
RÉFÉRENCE FUTURE.**

**S'IL VOUS PLAÎT REFÉREZ A LA COU
VERTURE POUR LES INFORMATIONS
CONCERNANT LA GARANTIE
DE DAYTON ET LES AUTRES
RENSEIGNEMENTS IMPORTANTS.**

Modèle#: _____

Série#: _____

Date de l'achat: _____

mprié en Chine
NSC100 / Version 1/ 11/ 15/2015
© 2015 W.W. Grainger, Inc.
Tous les Droits Réservés

AVANT DE COMMENCER

Déballage

- Après le déballage de l'appareil, inspectez soigneusement pour tout le dommage qui pourrait avoir eu lieu durant le transport. Vérifiez des pièces lâches, manquantes ou endommagées. La réclamation de dommage du transport doit être déposée avec le transporteur.

Composants



**4ZK86A, 4ZK88A,
4ZK90A**

**4ZK87A, 4ZK89A,
4ZK91A**

4ZK92A, 4ZK93A



- Voir les instructions de sécurité générale à la page 2

INFORMATION DE SECURITE GENERALE

Le filtre / les régulateurs de conduite de Speedaire sont conçus pour (1) éliminer les impuretés en suspension, les particules de saleté, la condensation et les aérosols d'huile de l'air comprimé à travers les lignes d'alimentation en air, et (2) ajuster et maintenir la pression d'air fixé à un niveau qui peut exploiter efficacement les outils pneumatiques et d'autres équipements à commande pneumatique. La section de filtre fonctionne au moyen de la force centrifuge et un élément de filtre tandis que la section du régulateur est auto-relaxation et fournit le débit d'air élevé et maintient la pression de consigne avec une chute de pression minimale entre la pression de sortie du compresseur d'air réel et les outils et les équipements de pression d'installation.

Le dispositif peut être utilisé seulement dans l'installation permanente dans les systèmes d'air comprimé. Une mauvaise utilisation ou des modifications au dispositif ou l'utilisation de ses composants qui ne sont pas testés et approuvés par le fabricant peuvent entraîner des dommages imprévus.

Le filtre / les régulateurs de conduite d'air sont utilisés dans une variété de systèmes d'air qui peut aller avec le compresseur d'air, le pistolet à peinture les graisseurs, les tuyaux, etc. Lisez et comprenez toutes les instructions de sécurité, les instructions d'installation et les instructions d'opération avant d'utiliser cet appareil. Les précautions de sécurité de base doivent toujours être suivies pour réduire le risque de blessures et / ou de dommages matériels.

INSTRUCTION DE SECURITE GENERALE

1. Lisez toutes les instructions de sécurité. L'échec de le faire peut causer des dommages à vous et aux autres.
2. Gardez les enfants et les personnes non autorisées loin du dispositif. Assurez-vous que les enfants ne peuvent pas jouer avec ce dispositif.
3. Ne surchargez pas le dispositif. N'utilisez pas le dispositif à des fins pour lesquelles il ne vise pas.
4. Assurez-vous toujours que la conduite d'air est en bon état.
5. Le tuyau et le raccordement devraient être inspectés pour éviter toute la fuite avant d'utiliser.
6. L'air résiduel dans le système doit être libéré avant que le service ou la réparation.
7. Assurez-vous que toutes les connexions et les lignes d'alimentation sont conçus pour les flux d'air et de pression nécessaire.

ATTENTION

Les bols en polycarbonate ne sont pas recommandés pour une utilisation dans des atmosphères contenant des produits chimiques tels que l'acétone, le benzène, le tétrachlorure de carbone, l'essence, le toluène et / ou les systèmes de compresseur d'air utilisant les lubrifiants synthétiques résistant au feu.

CARACTERISTIQUES

| Modèle | Pression d'entrée max | Temp. max | Flux max | Principaux ports | Ports de jauge | bol | Note du micron d'élément | Gamme de réglage de pression | poinds (lbs) |
|--------|-----------------------|-----------|----------|------------------|----------------|---------------|--------------------------|------------------------------|--------------|
| 4ZK86A | 250 psi | 175°F | 80 cfm | 1/4" | 1/4" | Métal | 40 µm | 5 à 150 psi | 1.50 |
| 4ZK87A | 150 psi | 125°F | 80 cfm | 1/4" | 1/4" | Polycarbonate | 40 µm | 5 à 150 psi | 1.50 |
| 4ZK88A | 250 psi | 175°F | 120 cfm | 3/8" | 1/4" | Métal | 40 µm | 5 à 150 psi | 1.50 |
| 4ZK89A | 150 psi | 125°F | 120 cfm | 3/8" | 1/4" | Polycarbonate | 40 µm | 5 à 150 psi | 1.50 |
| 4ZK90A | 250 psi | 175°F | 120 cfm | 1/2" | 1/4" | Métal | 40 µm | 5 à 150 psi | 1.50 |
| 4ZK91A | 150 psi | 125°F | 120 cfm | 1/2" | 1/4" | Polycarbonate | 40 µm | 5 à 150 psi | 1.50 |
| 4ZK92A | 150 psi | 125°F | 80 cfm | 1/4" | 1/4" | Polycarbonate | 40 µm | 5 à 150 psi | 1.50 |
| 4ZK93A | 150 psi | 125°F | 120 cfm | 3/8" | 1/4" | Polycarbonate | 40 µm | 5 à 150 psi | 1.50 |

- L'alimentation d'air doit être suffisamment sec pour éviter la formation de glace en dessous de +35°F.
- A une pression d'entrée de 150 psi, la pression d'installation de 90 psi, et une chute de pression de 15 psi.

DIMENSIONS (pouce)

| N° de l'article de graigner | Longueur (pouce./mm) | Largeur (pouce./mm) | Hauteur (pouce./mm) |
|-----------------------------|----------------------|---------------------|---------------------|
| 4ZK86A | 2.68/68 | 4.65/118 | 9.95/252 |
| 4ZK87A | 2.68/68 | 4.65/118 | 9.95/252 |
| 4ZK88A | 2.68/68 | 4.65/118 | 9.95/252 |
| 4ZK89A | 2.68/68 | 4.65/118 | 9.95/252 |
| 4ZK90A | 2.68/68 | 4.65/118 | 9.95/252 |
| 4ZK91A | 2.68/68 | 4.65/118 | 9.95/252 |
| 4ZK92A | 2.68/68 | 4.65/118 | 9.95/252 |
| 4ZK93A | 2.68/68 | 4.65/118 | 9.95/252 |

INSTRUCTIONS D'INSTALLATION

1. Avant d'installer, vérifiez si les connexions utilisées correspondent à la pression maximale du filtre / du régulateur.
2. Coupez la pression d'air du système d'air. Installez le filtre / le régulateur verticalement avec le bol dans la conduite d'air. Assurez-vous que le filtre / le régulateur est installé avec le flux d'air d'entrée / de sortie dans la bonne direction de la flèche sur l'appareil. Le filtre / le régulateur doit être installé en amont du graisseur (s), et la soupape (s) de vélo dans la conduite d'air, et devrait être aussi proche que possible de l'appareil étant desservie lorsqu'il est utilisé comme un filtre/ un régulateur de ligne principale et / ou comme un filtre / un régulateur final.
3. Raccordez les tuyaux aux ports d'entrée et de sortie utilisant le ruban d'étanchéité pour le tuyau sur les filets mâles seulement. Lors du vissage des tuyaux ensemble, empêchez la pénétration des copeaux et du produit d'étanchéité à l'intérieur de l'appareil. Les contaminations dans l'appareil peuvent faire échouer.
4. Assurez-vous que toutes les connexions au filtre / au régulateur sont bien serrées.
5. Poussez le bol, ou un bol avec gardien, dans le corps du filtre/ du régulateur et tournez complètement dans le sens horaire avant de pressuriser.
6. Installez une jauge de pression à l'un des ports de jauge faisant face à l'opérateur. L'autre port de jauge doit être branché ou peut être utilisé comme une sortie d'air supplémentaire pour l'air régulé.
7. Le filtre / le régulateur doit être installé de telle sorte qu'aucune force ou tension mécanique se produit.

INSTRUCTIONS D'OPERATION (Voir la Figure 2)

1. Assurez-vous que la pression à l'entrée d'air du filtre / du régulateur de la ligne d'air ne dépasse pas la pression maximale spécifiée dans les instructions.
2. Avant d'appliquer la pression d'entrée, tirez le réglage vers le haut jusqu'à ce que vous entendiez un clic, tournez dans le sens antihoraire pour libérer toute la force sur le ressort de régulation. Et puis, poussez l'ajustement vers le bas jusqu'à ce que vous entendiez un clic.
3. La pression d'entrée d'air peut être abordé en tournant le réglage. tirez le réglage vers le haut jusqu'à ce que vous entendiez un clic, tournez dans le sens horaire pour augmenter la pression ou dans le sens antihoraire pour diminuer la pression. Lorsque la pression désirée est obtenue, poussez l'ajustement vers le bas jusqu'à ce que vous entendiez un clic.
4. L'ajustement du bouton. Appuyez le bouton pour verrouiller le réglage de pression. Tirez le bouton pour libérer
5. La pression d'air réglée peut être lue sur la jauge de pression.

4

6. Approchez toujours la pression désirée graduellement, soit à partir d'une pression inférieure à une pression plus élevée, ou à partir d'une pression supérieure à une pression inférieure.
7. Le filtre/ le régulateur est équipé d'une vidange manuelle. Tournez la vanne de vidange manuelle pour drainer les liquides accumulés dans le bol. Prenez soin de drainer les liquides dans le bol chaque fois que nécessaire et gardez toujours les liquides en dessous de la chicane.
8. L'élément de filtre doit être remplacé lorsque la chute de pression à travers l'élément est supérieure à 15 psi. Quand une chute de pression excessive à travers un élément saturée mais non contaminée se produit, cela peut indiquer que l'outil étant opéré dépasse le débit maximum (CFM) du filtre (Voir les caractéristiques). Référez-vous au débit maximal de votre filtre/ régulateur et assurez-vous que CFM requis de cet outil est dans le débit maximal de votre filtre/ régulateur pour le meilleur fonctionnement de l'outil.

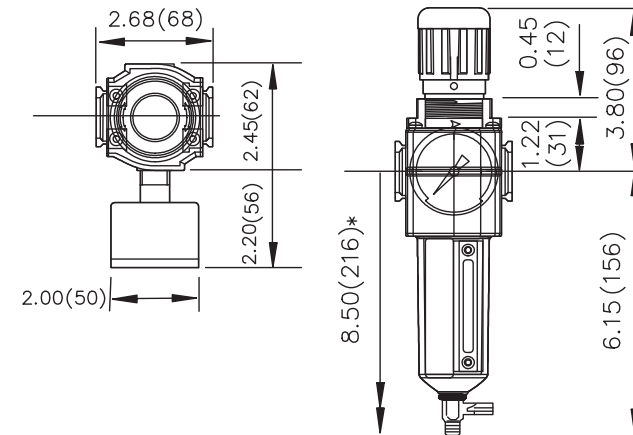
DIAGRAMMES

figure 1

5

ENTRETIEN**Etapes d'entretien****1 Démontage (voir la figure 2)**

- Le filtre / le régulateur peut être démonté sans le retrait de la ligne d'air.
- Coupez la pression d'entrée. Réduisez la pression dans les lignes d'entrée et de sortie à zéro.
- Tournez le réglage entièrement dans le sens antihoraire.
- Retirez le bol. Poussez dans le corps et tournez dans le sens antihoraire.
- Démontez conformément généralement aux pièces illustrées sur la Figure 2. Ne retirez pas le drain à moins que leur remplacement soit nécessaire. Retirez et remplacez seulement s'il y a des dysfonctionnements de la vidange ou la conversion à la vidange automatique.

2 Nettoyage (voir la figure 2)

- Nettoyez le bol en plastique avec de l'eau chaude seulement. Nettoyez les autres parts avec de l'eau chaude et du savon.
- Rincez et séchez les parts. Soufflez les passages internes dans le corps (Réf. N°8) avec l'air comprimé propre, sec. Soufflez de l'air à travers l'élément du filtre de l'intérieur vers l'extérieur pour enlever les contaminations de surface.
- Inspecter les pièces. Remplacez ceux trouvés à être endommagé. Remplacez le bol en plastique avec un bol de métal si les bols en plastique montrent des signes de fissuration ou de nébulosité.

3 Assemblage (voir la figure 2)

- Graisser les joints toriques, les filets de vis de réglage et le bout, la circonférence extérieure et les deux côtés de la rondelle de butée, la portion du corps de vidange manuelle qui contacte le bol, le trou dans le corps de vidange manuelle qui accueille la tige du robinet de vidange, et la tige de soupape avec la graisse des joints toriques.
- Assemblez comme indiqué sur la Figure 2.
- Les articles de couple énumérés dans le tableau de couple
- Poussez le bol, ou le bol avec le gardien dans le corps et tourner complètement dans le sens horaire.

Tableau de couple

| N ° Réf des parts | Pouce livres (N-m) |
|-------------------|---------------------|
| Vis (a), Vis (b) | 20 à 30 (2.3 à 3.4) |
| Vis (c) | 15 à 30 (1.7 à 3.4) |
| Baffle, Lucarne | 10 à 20 (1.1 à 2.3) |
| Ecrou | 20 à 25 (2.3 à 2.8) |

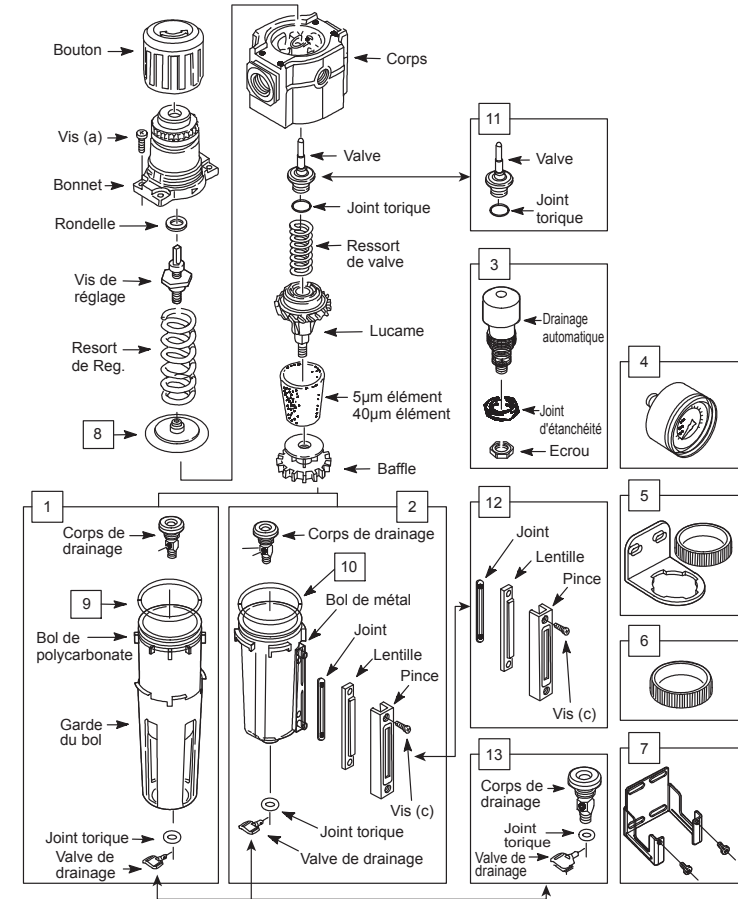
**ILLUSTRATION DES PARTS DE REPARATION POUR
4ZK86A, 4ZK87A, 4ZK88A, 4ZK89A, 4ZK90A, 4ZK91A,
4ZK92A, 4ZK93A**

figure 2

**Pour les Parts de Réparation, téléphonez
au 1-800-323-0620
24 heures un jour – 365 jours une année**

Fournissez les informations suivantes, s'il vous plaît:

- Numéro du modèle
- Numéro de série (s'il y a)
- Description et numéro de la part comme indiqué dans la liste des parts



ILLUSTRATION DES PARTS DE REPARATION POUR 4ZK86A, 4ZK87A, 4ZK88A, 4ZK89A, 4ZK90A, 4ZK91A, 4ZK92A, 4ZK93A

| N° de réf. | Description des Parts | N° de La part | Qté |
|------------|------------------------------------|---------------|-----|
| 1 | Assemblage du bol de polycarbonate | 1AKG6A | 1 |
| 2 | Joint torique et bol en métal | 114X33 | 1 |
| 3 | Kit de vidange automatique | 4ZK19A | 1 |
| 4 | Jauge | 4FMC7 | 1 |
| 5 | Cou bkt & Ecrou | 4ZK57A | 1 |
| 6 | Ecrou | 4ZK58A | 1 |
| 7 | Support mural universel | 4ZK53A | 1 |
| 8 | Diaphragme | 114X47 | 1 |
| 9 | Joint torique pour bol en Poly | 114X65 | 1 |
| 10 | Joint torique pour bol en métal | 114X69 | 1 |
| 11 | Assemblé de valve | 114X52 | 1 |
| 12 | Kit de glasse de vision | 114X61 | 1 |
| 13 | Kit de drainage manuel | 114X72 | 1 |

GARANTIE LIMITEE D'UNE ANNEE DE SPEEDAIRE

GARANTIE LIMITEE D'UNE ANNEE DE SPEEDAIRE. A- tous les modèles de produits de Speedaire Rcouverts dans ce manuel par cette garantie limitée sont garantis par Dayton Electric Mfg.Co. ("Dayton") à l'utilisateur d'origine contre les défauts dans la maîtrise ou les matériaux sous les utilisations normales d'utilisation pour une année après la date de l'achat. Si le produit fait partie d'un appareil, seule la partie qui est défectueux est soumis à cette garantie. Aucun produit ou aucune part qui est déterminée à être défectueux dans le matériel ou dans la maîtrise et retourné à un centre de service agréé, comme Dayton ou la personne désignée par Dayton désigne, coûts de transport prépayés, sera, comme remède exclusive, réparé ou remplacé avec un produit ou partie neuf ou reconditionné de l'utilité égale ou un remboursement complet donné, au choix de Dayton ou de la personne désignée par Dayton, sans frais. Pour les procédures de réclamation de garantie limitée, voyez "service de garantie" ci-dessous. Cette garantie est nulle si il y a des preuves d'une mauvaise utilisation, une mauvaise réparation, mauvaise-installation, un abus ou l'altération. Cette garantie ne couvre pas l'usure normale des Produits de Speedaire ou des portions de ceux, ou des produits ou des portions de ceux qui sont consommables en utilisation normale. Cette garantie limitée donne aux acheteurs des droits légaux spécifiques, et et vous pouvez également avoir d'autres droits qui varient d'une juridiction à l'autre.

EXCLUSIONS DE GARANTIE ET LIMITATIONS DE RESPONSABILITE RELATIVES A TOUS LES CLIENTS POUR TOUTE LA LIMITATION DES PRODUITS DE LA RESPONSABILITE. DANS LA MESURE PERMISE PAR LA LOI APPLICABLE, LA RESPONSABILITE DE GRAINGER POUR LES DOMMAGES INDIRECTS ET INCITENDAUX EST EXPRESSEMENT DECLINEE. LA RESPONSABILITE DE GRAINGER A TOUS LES EVENEMENTS EST LIMITEE ET NE DOIT PAS DEPASSER LE PRIX D'ACHAT PAYE.

EXONERATION DE GARANTIE. UN EFFORT A ETE FAIT PREUVE DE DILIGENCE POUR FOURNIR DES INFORMATIONS DE PRODUITS ET ILLUSTRER LES PRODUITS DE CETTE LITTERATURE PRECISION; CEPENDANT, CES INFORMATIONS ET L'ILLUSTRATION SONT DANS LE SEUL BUT D'IDENTIFICATION, ET N'EXPRIMEZ PAS NI IMPLIQUEZ UNE GARANTIE QUE LES PRODUITS SERONT FORCEMENT CONFORME AUX ILLUSTRATIONS OU A LA DESCRIPTION SAUF COMME PREVU CI-DESSOUS, AUCUNE GARANTIE OU AFFIRMATION DE FAIT, EXPRESSE OU IMPLICITE, AUTRE QUE COMME INDIQUE DANS LA "GARANTIE LIMITEE" CI-DESSUS EST FAITE AUTORISE PAR DAYTON.

L'ADEQUATION DU PRODUIT. DE NOMBREUSE JURIDICTIONS ONT DES CODES ET REGLEMENTS REGISSANT LA VENTE, LA CONSTRUCTION, L'INSTALLATION ET/OU UTILISATION DE PRODUITS POUR CERTAINS USAGES. QUI PEUT VARIER DE CELLES DES REGIONS VOISINES. BIEN QUE DES TENTATIVES SOIENT FAITES POUR ASSURER QUE LES PRODUITS SONT CONFORMES A CES CODES. GRAINGER NE PEUT PAS GARANTIR LA CONFORMITE, ET NE PEUT PAS ETRE RESPONSIBLE DE LA FACON DONT LE PRODUIT EST INSTALLE OU UTILISE. AVANT L'ACHAT ET L'UTILISATION D'UN PRODUIT, REVOIR LES SPECIFICATIONS / SECURITE, ET TOUS LES CODES ET LES REGLEMENTATIONS NATIONALES ET LOCALES EN VIGUEUR, ET ETRE SUR QUE LE PRODUIT, L'INSTALLATION ET L'UTILISATION SERONT CONFORMES AVEC EUX.

LES CONSOMMATEURS SEULEMENT. CERTAINS ASPECTS DE DESISTEMENT NE SONT PAS APPLICABLES AUX PRODUITS DE CONSOMMATION VENDUS AUX CONSOMMATEURS: (A) CERTAINES JURIDICTIONS NE PERMETTENT PAS L'EXCLUSION OU LA LIMITATION DES DEMANDES INCITENDALES OU INDIRECTES. DONC, LA LIMITATION OU L'EXCLUSION CI-DESSUS PEUVENT NE PAS VOUS CONCERNER: (B) EGALEMENT, CERTAINES JURIDICTIONS NE PERMETTENT PAS A UNE LIMITATION DE LA DUREE D'UNE GARANTIE DE L'IMPLIDE DURE, AINSI LA LIMITATION CI-DESSUS PEUVENT NE PAS VOUS CONCERNER. ET (C) PAR LA LOI, PENDANT LA PERIODE DE CETTE GARANTIE LIMITEE, ET LES GARANTIES IMPLICITES DE QUALITE MARCHANDE OU D'ADEQUATION A UN USAGE DE PARTICULAIRE APPLICABLE AUX PRODUITS DE CONSOMMATION ACHETES PAR LES CLIENTS, NE PEUT PAS ETRE EXCLUE OU AUTREMENT PAS ACCORDE.

CETTE GARANTIE LIMITEE EST VALABLE SEULEMENT POUR LES PRODUITS DE SPEEDAIRE ACHETES PAR LES ACHETEURS DES ETATS-UNIS POUR LA LIVRAISON AUX ETATS-UNIS.

SERVICE DE GARANTIE

Pour obtenir le service de garantie si vous avez acheté le produit couvert directement de W.W.Grainger, Inc. ("Grainger"), (i) écrivez ou téléphonez ou visitez la branche de Grainger locale à partir de laquelle le produit a été acheté ou une autre branche Grainger près de vous (voir [www. Grainger.com](http://www.Grainger.com) pour une liste des branches de Grainger); ou (ii) contactez Grainger en allant à www. Grainger.com et cliquant sur "contactez avec nous" lien en haut de la page, et puis cliquant sur "Email nous" lien: ou (iii) téléphonez à la service de client (gratuit) au 1-888-261-8649. Pour obtenir le service de garantie si vous avez acheté le produit couvert d'un autre distributeur ou revendeur. (i) allez à www. Grainger.com pour le service de garantie; (ii) écrivez ou téléphonez ou visitez la branche de Grainger près de vous; (iii) téléphonez à la service de client (gratuit) au 1-888-261-8649. Dans tous les cas, vous devrez fournir, dans la mesure disponible, la date d'achat, le numéro de facture originale, le nombre d'actions, d'une description du défaut et rien d'autre spécifié dans cette Garantie limitée d'une année de Westward. Vous devez être amené à envoyer le produit pour inspection à vos frais. Vous pouvez suivre l'état d'avancement des inspections et des corrections dans les mêmes moyens. Le titre et le risque de perte passent à l'acheteur lors de la livraison au transporteur commun, de sorte que si le produit a été endommagé en transit vers vous, la revendication dile avec le transporteur, et non le détaillant ou Grainger ou Dayton. Pour l'information sur la garantie pour les acheteurs et/ou la livraison à l'extérieur des États-Unis, contactez s'il vous plaît:

**Dayton Electric Mfg. Co.,
100 Grainger Parkway, Lake Forest, IL 60045 LES ETATS-UNIS
Ou téléphonez au +1-888-361-8649**