



**16601601**  
Edition 2  
October 2013

# **Air Impact Wrench**

**1720B and 1720P Series**

---

## **Parts Information**



**Save These Instructions**

**IR** *Ingersoll Rand*<sup>®</sup>



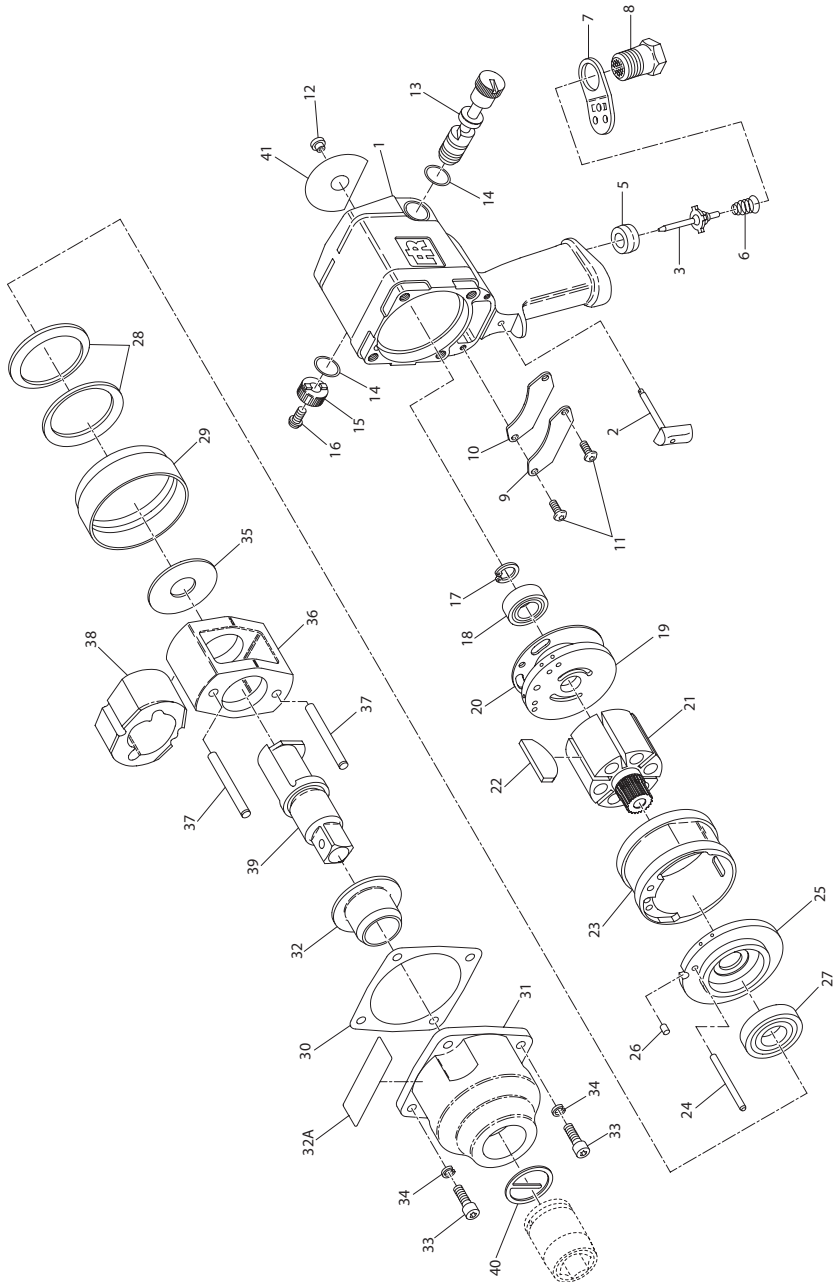
## 1720B Series Air Impact Wrench - Parts List

| Item | Part Description             | Part Number | Item | Part Description   | Part Number  |
|------|------------------------------|-------------|------|--|--------------|
| 1    | Motor Housing Assembly       | 1720B-A40   | 29   | Cylinder Dowel   | 910-98       |
| 2    | Trigger                      | 834-93A     | 30   | Motor Clamp Washer (2)   | 2920-207     |
| 3    | Trigger Pin (2)              | 534-265     | 31   | Motor Retainer   | 2920B-800    |
| 4    | Throttle Valve Plunger       | 2920B-302   | ♦32  | Hammer Case Gasket   | 910-36       |
| 5    | Throttle Valve Assembly      | 834-50      | 33   | Hammer Case Assembly   | 1720B-A727   |
| ♦6   | Throttle Valve Face          | 435-159     | 34   | Hammer Case Bushing  | 2920-641     |
| ♦7   | Throttle Valve Spring        | 834-51      | 34A  | Warning Label  | WARNING-2-99 |
| ♦8   | Air Strainer Screen          | 434-61      | 35   | Hammer Case Cap Screw (4)  | 34U-103      |
| 9    | Air Inlet Bushing            | 834-565     | 36   | Cap Screw Lock Washer (4)  | 34U-58       |
| 10   | Grease Fitting               | 1305R-188   | 37   | Rear Hammer Frame Washer   | 910-706      |
| ♦11  | Exhaust Silencer             | 1720B-311   | 38   | Hammer Frame Assembly  | 2910-A703    |
| 12   | Exhaust Deflector            | 2910B-23    | 39   | Hammer Pin (2)   | 2910-704     |
| ♦13  | Exhaust Deflector Gasket     | 2910B-223   | 40   | Hammer   | 260-724      |
| 14   | Exhaust Deflector Screw (4)  | H54U-667    | 41   | Anvil  |              |
| 15   | Reverse Valve                | 1710B-329   |      | 3/4" square drive  | 260-726      |
| ♦16  | Reverse Valve Seal (2)       | 261-283     |      | 1" square drive  | 1711B-826    |
| 17   | Reverse Valve Knob           | 231-666     | 42   | Socket Retainer  |              |
| 18   | Reverse Valve Knob Screw     | 231-665     |      | for 3/4" square drive  | RR100345     |
| ♦19  | Rear Rotor Bearing Retainer  | MVA008-218  |      | for 1" square drive  | RR100155     |
| ♦20  | Rear Rotor Bearing           | 4E-510      | 43   | Nameplate  | 1720B-301    |
| 21   | Rear End Plate               | 2921HP-12   | 44   | Nameplate Screw (4)  | C32-302      |
| ♦22  | Rear End Plate Gasket        | 2920B-283   | *    | Dead Handle Bracket  | 2910B-364    |
| 23   | Cylinder                     | 2920-3      | *    | Dead Handle  | 834-48       |
| ♦24  | Vane Packet (set of 6 Vanes) | 2910-42-6   | *    | Horizontal Hanger  | 910-366      |
| 25   | Front End Plate              | 2921HP-11   | *    | Tune-up Kit (includes illustrated parts 6, 7, 8,<br>11, 13, 16 [2], 19, 20, 22, 24, 28 and 32) | 1720B-TK2    |
| 26   | End Plate Dowel              | 2920-74     |      |  |              |
| 27   | Rotor                        | 2910B-53    |      |  |              |
| ♦28  | Front Rotor Bearing          | 834-24      |      |  |              |

\* Not Illustrated

♦ Included in Tune-up Kit.

# 1720P Series Air Impact Wrench - Exploded View



(Dwg. TPA971-2)

## 1720P Series Air Impact Wrench - Parts List

| Item | Part Description             | Part Number | Item | Part Description                              | Part Number  |
|------|------------------------------|-------------|------|---|--------------|
| 1    | Motor Housing Assembly       | 1720P-A40   | 26   | End Plate Dowel                               | 2920-74      |
| 2    | Trigger Assembly             | 2920P-A93   | ♦27  | Front Rotor Bearing                           | 834-24       |
| ♦3   | Throttle Valve               | 2921-302    | 28   | Motor Clamp Washer (2)                        | 2920-207     |
| ♦5   | Throttle Valve Seat          | DG230-303   | 29   | Motor Retainer                                | 2920B-800    |
| ♦6   | Throttle Valve Spring        | 1720P-51    | ♦30  | Hammer Case Gasket                            | 910-36       |
| 7    | Exhaust Deflector            | 1720P-23    | 31   | Hammer Case Assembly                          | 1720B-A727   |
| 8    | Inlet Bushing                | 2920P-465   | 32   | Hammer Case Bushing                           | 2920-641     |
| 9    | Housing Plate                | 1720P-230   | 32A  | Warning Label                                 | WARNING-2-99 |
| ♦10  | Housing Plate Gasket         | 1720P-231   | 33   | Hammer Case Cap Screw (4)                     | 34U-103      |
| 11   | Housing Plate Screw (2)      | FEA100-112  | 34   | Cap Screw Lock Washer (4)                     | 34U-58       |
| 12   | Grease Fitting               | 130SR-188   | 35   | Rear Hammer Frame Washer                      | 910-706      |
| 13   | Reverse Valve                | 1710B-329   | 36   | Hammer Frame Assembly                         | 2910-A703    |
| ♦14  | Reverse Valve Seal (2)       | 261-283     | 37   | Hammer Pin (2)                                | 2910-704     |
| 15   | Reverse Valve Knob           | 231-666     | 38   | Hammer  | 260-724      |
| 16   | Reverse Valve Knob Screw     | 231-665     | 39   | Anvil   |              |
| ♦17  | Rear Rotor Bearing Retainer  | MVA008-218  |      | 3/4" square drive                             | 260-726      |
| ♦18  | Rear Rotor Bearing           | 4E-510      |      | 1" square drive                               | 1711B-826    |
| 19   | Rear End Plate               | 2921HP-12   | 40   | Socket Retainer                               |              |
| ♦20  | Rear End Plate Gasket        | 2920B-283   |      | for 3/4" square drive                         | RR100345     |
| 21   | Rotor                        | 2910B-53    |      | for 1" square drive                           | RR100155     |
| ♦22  | Vane Packet (set of 6 Vanes) | 2910-42-6   | 41   | Nameplate                                     | 1720P-301    |
| 23   | Cylinder                     | 2920-3      | *    | Horizontal Hanger                             | 910-366      |
| 24   | Cylinder Dowel               | 910-98      | *    | Tune-up Kit (includes illustrated parts 3, 5, |              |
| 25   | Front End Plate              | 2921HP-11   | *    | 6, 10, 14 [2], 17, 18, 20, 22, 27 and 30)     | 1720P-TK2    |

\* Not Illustrated

♦ Included in Tune-up Kit.

### Parts and Maintenance

When the life of the tool has expired, it is recommended that the tool be disassembled, degreased and parts be separated by material so that they can be recycled.

Tool repair and maintenance should only be carried out by an authorized Service Center.

Refer all communications to the nearest **Ingersoll Rand** Office or Distributor.

### Related Documentation

For additional information refer to:

Product Safety Information Manual 04580916.

Product Information Manual 03532983.

Maintenance Information Manual 16601619.

Manuals can be downloaded from [ingersollrandproducts.com](http://ingersollrandproducts.com)

---

**Notes:**

**Notes:**

---

[ingersollrandproducts.com](http://ingersollrandproducts.com)

© 2014 *Ingersoll Rand*

