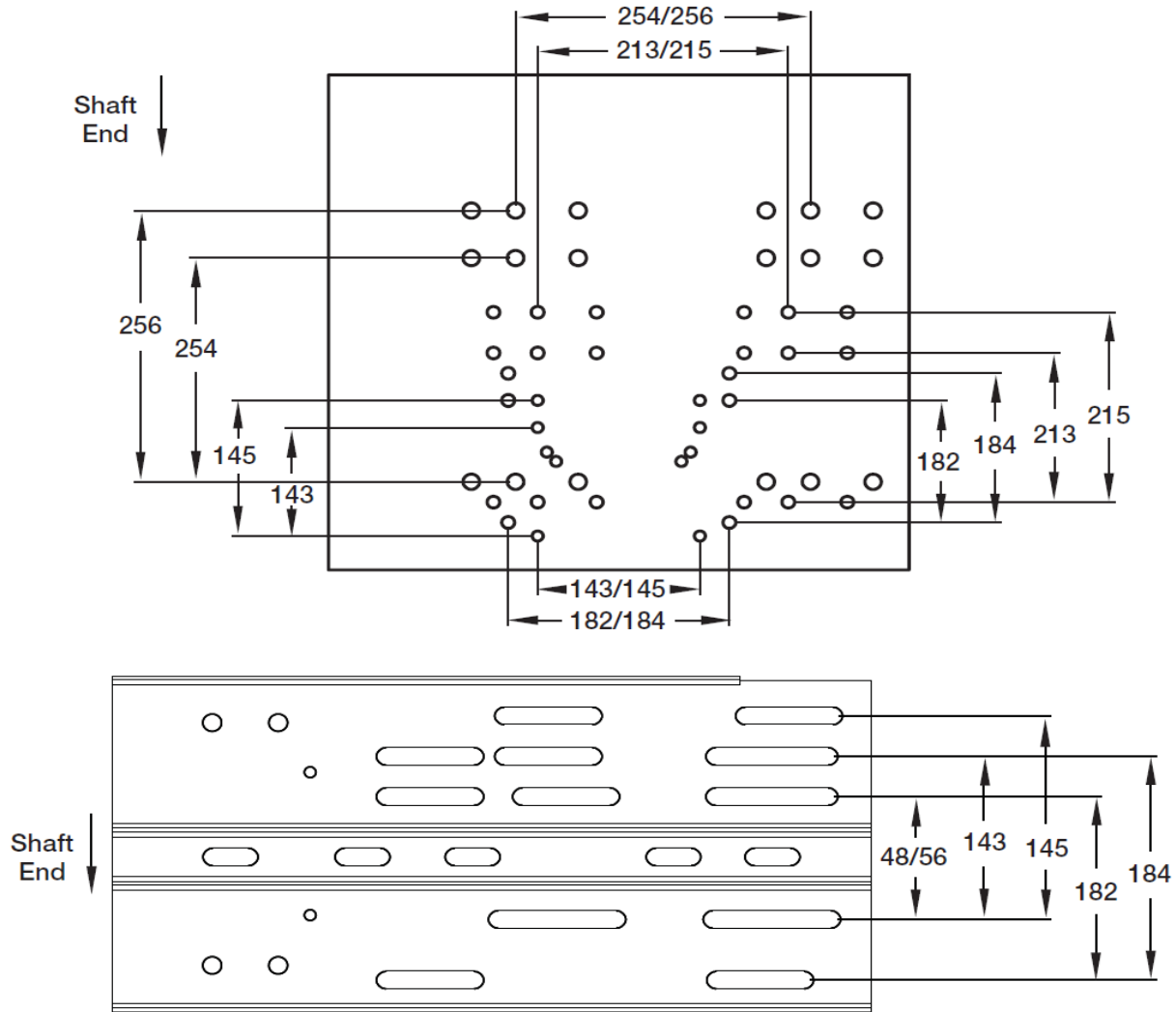


# Axial Belt-Drive Upblast Exhaust Ventilator's Motor Mounting Bedplate Drawing

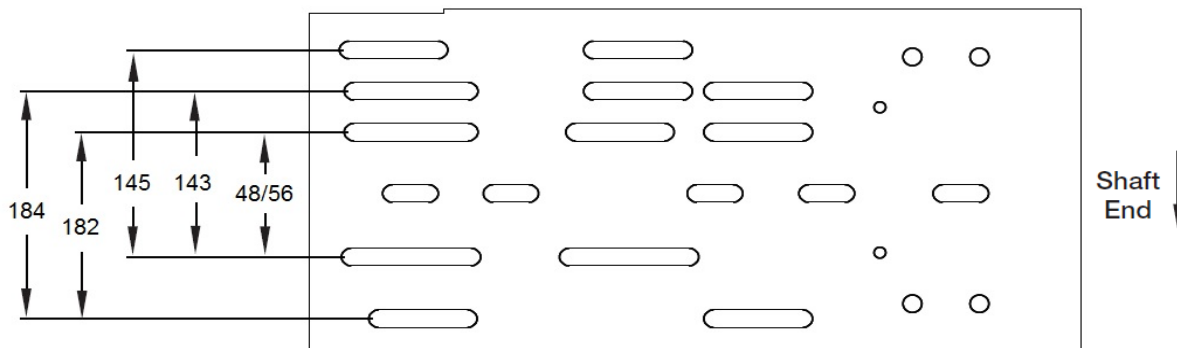


4YY23 thru 4YY26, 4YY27A, 4YY28A and 4YY29

REV.



- Notes: 1. Upper drawing displays a pictorial of NEMA motor mounting base hole patterns relative to one another.  
 2. Middle drawing shows the mounting hole pattern of the fan's motor mounting bedplate as viewed from beneath the bedplate.  
 3. Bottom drawing shows the mounting hole pattern of the fan's motor mounting bedplate as viewed from the top of the bedplate.



Dayton Electric Mfg. Co. Lake Forest, IL 60045 USA